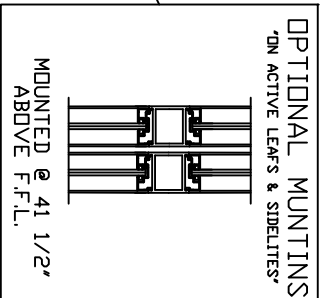
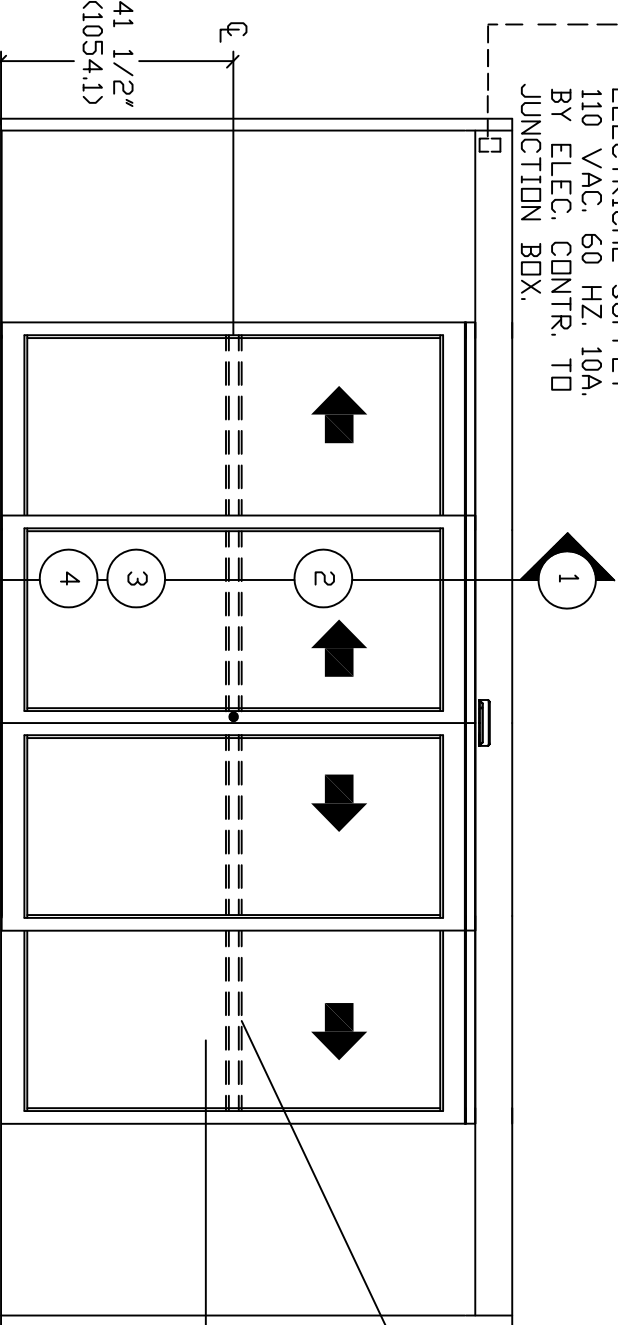
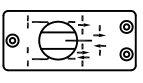


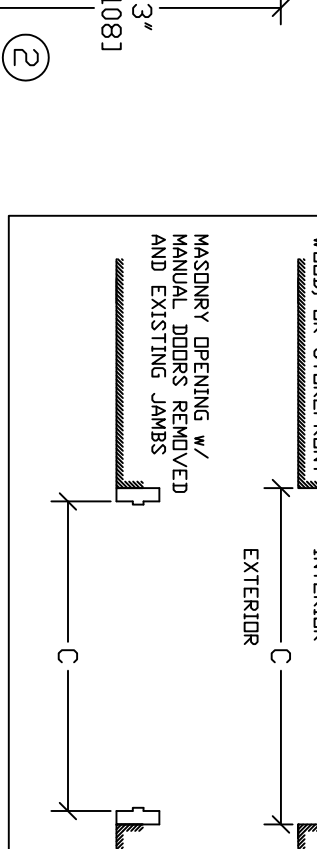
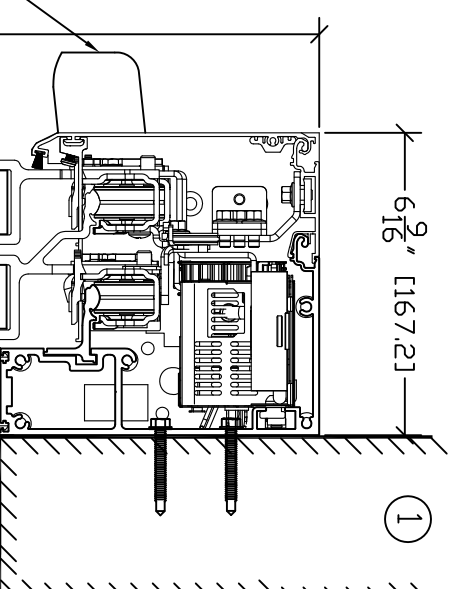
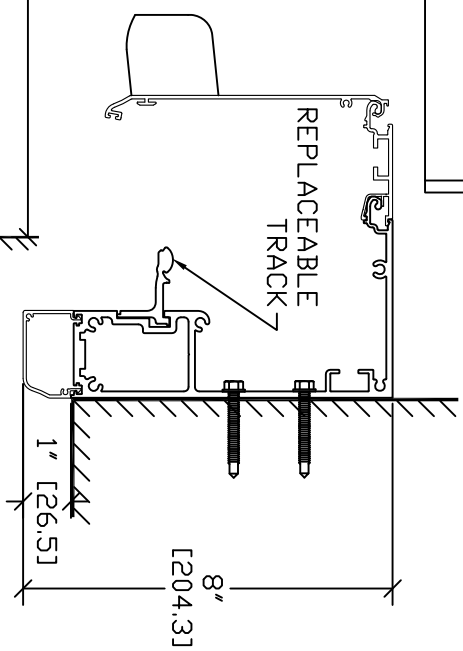
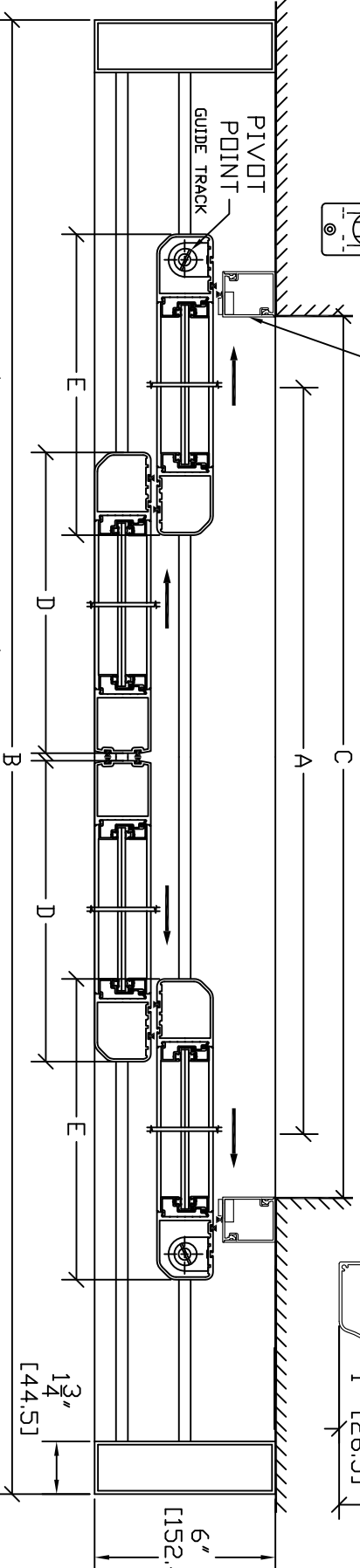
ELECTRICAL SUPPLY  
 110 VAC, 60 HZ, 10A,  
 BY ELEC. CONTR. TO  
 JUNCTION BOX.



MOTION/PRESENCE  
 SENSORS



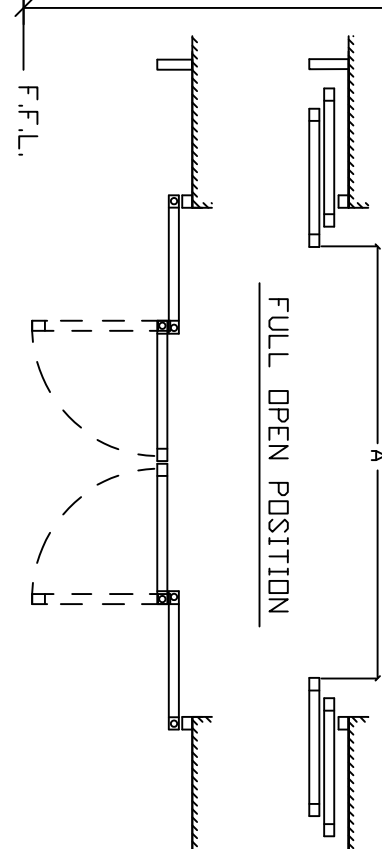
Optional Factory Prep  
 Switch Location @ 74-1 1/2"H



NOTE: THE STANDARD PACKAGE CONSISTS OF: THE AUTOMATIC OPERATOR & WEATHERSTRIP, FRAMES, DOORS WITH VERTICAL WEATHERSTRIP, EMERGENCY BREAKAWAY, 1-POINT LOCK, OPTIONAL POSITION SWITCHES (DIGITAL (3) OR SD) OR KEY (S), (OFF-EXIT ONLY)-AUTO-REDUCED OPENING-HOLD OPEN OR OFF, AUTO, HOLD OPEN) MOTION/PRESENCE SENSORS. STANDARD FINISH: CLEAR- AA-M2C22A41, CLASS 1, .018 MM. DARK BRONZE- AA-M2C22A44, CLASS 1, .018 MM. SPECIAL FINISHES ARE AVAILABLE.

THIS PACKAGE WILL ACCEPT UP TO 1"(25.4) INSULATED GLASS. NOTE DRAWING IS DIMENSIONED IN BOTH ENGLISH AND METRIC REF. AS FOLLOWS 1" (25.4) ALL METRIC SIZES ARE MILLIMETERS. FOR MAXIMUM CURRENT DRAW PER OPERATOR, SEE PRODUCT SPECIFICATION, INSTALLATION INSTRUCTIONS, OR THE UL LABEL ON THE EQUIPMENT. REFER TO RELEVANT LOCAL, STATE, NATIONAL OR AHD BUILDING CODE FOR MIN DOOR HEIGHT & MIN/MAX WIDTH ALLOWABLE FOR EGRESS REQUIREMENT IN CONJUNCTION WITH TABLE BELOW.

VIEW FROM BREAKOUT SIDE

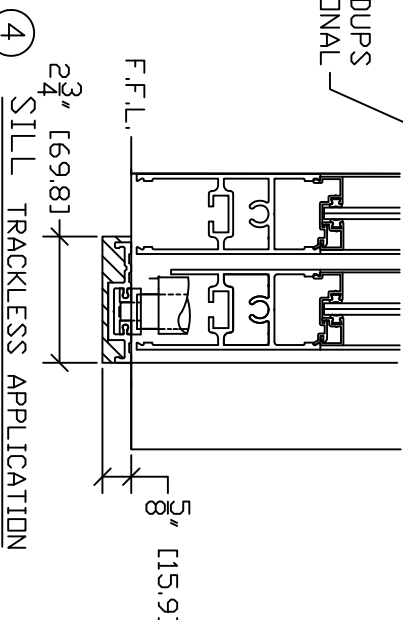


MASONRY OPENING WIDTH C	ACTIVE LEAF WIDTH D & E	DOOR OPENING A	BREAKOUT SIDE		COVER SIDE	
			OVERALL FRAME HEIGHT	ROUGH OPENING HEIGHT	OVERALL FRAME WIDTH B	ROUGH OPENING HEIGHT
72" (1828.8)	20 11/16" (525.5)	57 1/4" (1454.2)	91" (2311.4)	84" (2133.6)	117 1/8" (2975)	84" (2133.6)
84" (2133.6)	23 11/16" (601.7)	69 1/4" (1758.9)	91" (2311.4)	84" (2133.6)	135 1/8" (3432.2)	84" (2133.6)
96" (2438.4)	26 11/16" (677.9)	81 1/4" (2063.8)	91" (2311.4)	84" (2133.6)	153 1/8" (3889.4)	84" (2133.6)
122" (3099)	33 3/16" (843)	107 3/16" (2722.6)	91" (2311.4)	84" (2133.6)	192" (4876.8)	84" (2133.6)

DFW NOTE: CONSULT FACTORY FOR EXTENDED HEADERS.

STD. GLASS SIZE KEY*	WIDTH- "D"	HEIGHT
(C/4)-2 3/16"	(C/4)-(35.6)	DFH-15 7/8"
(C/4)-2 5/16"	(C/4)-(58.7)	DFH-(403.2)

\* NARROW STILE RAILS W/ 1/4" GUTTER, NO MUNTINS



DWG NO. 1010835	DATE 6/4/13	CHK BY SS	DATE 6/4/13	REV 5.0	DATE 8/22/16
DRN BY CLW					