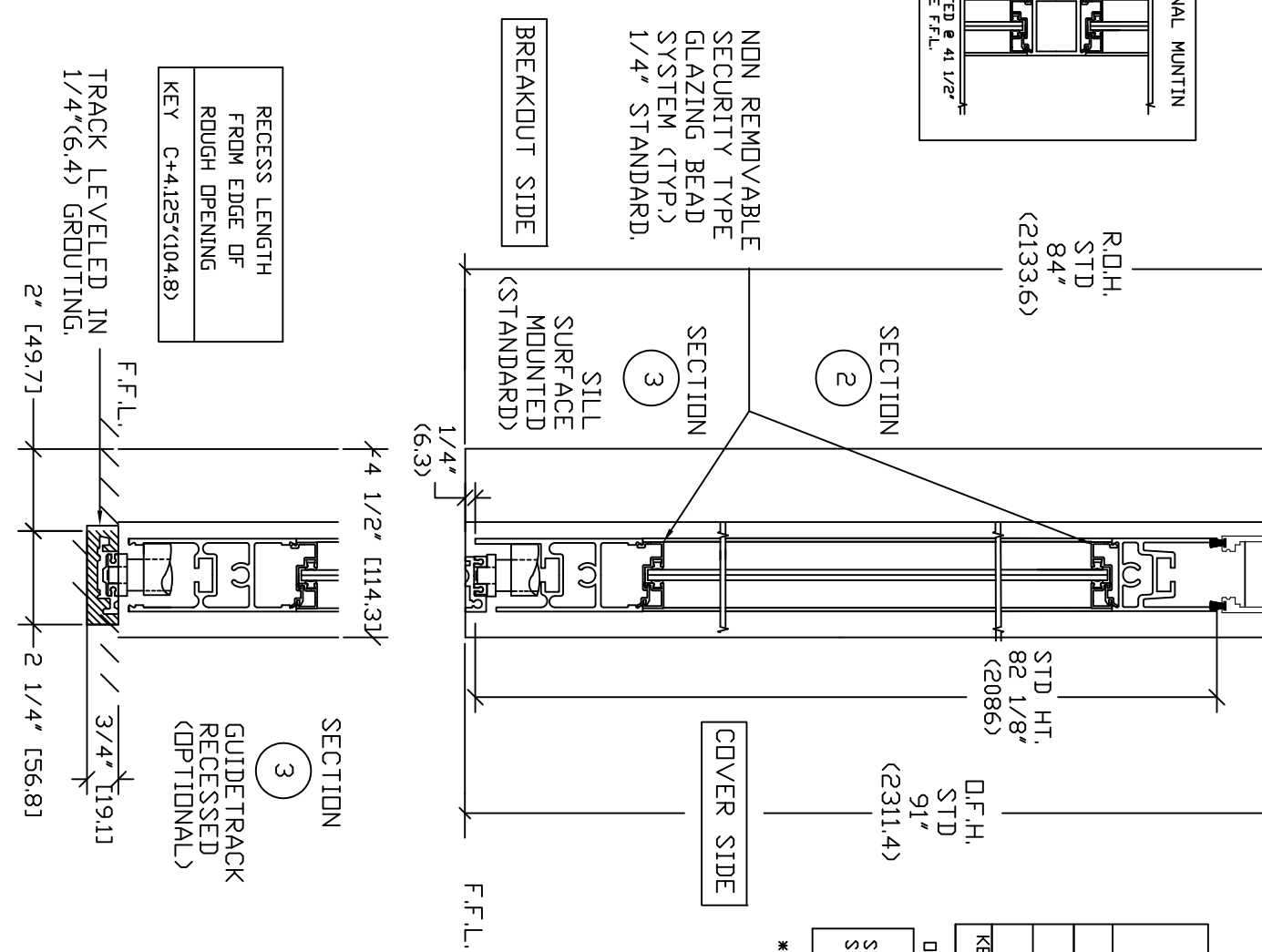
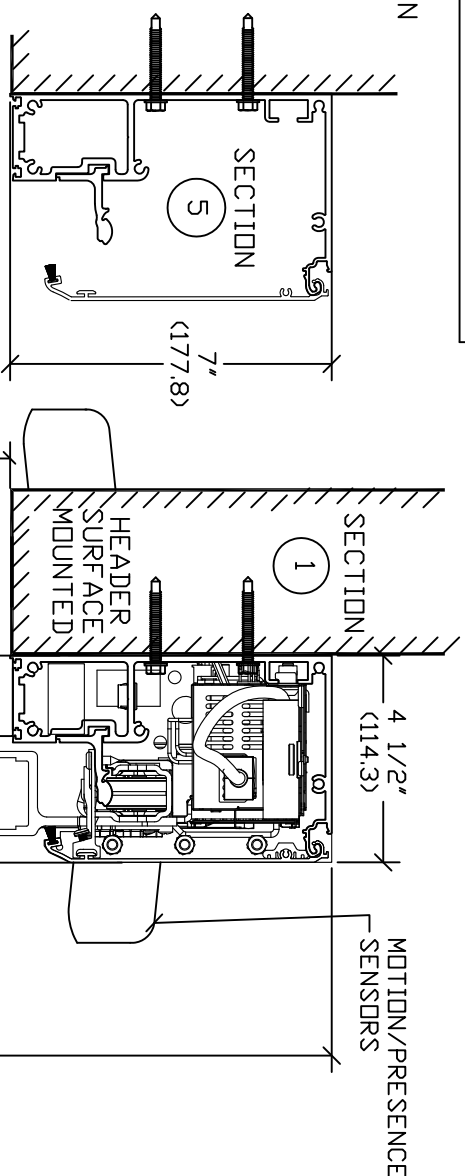
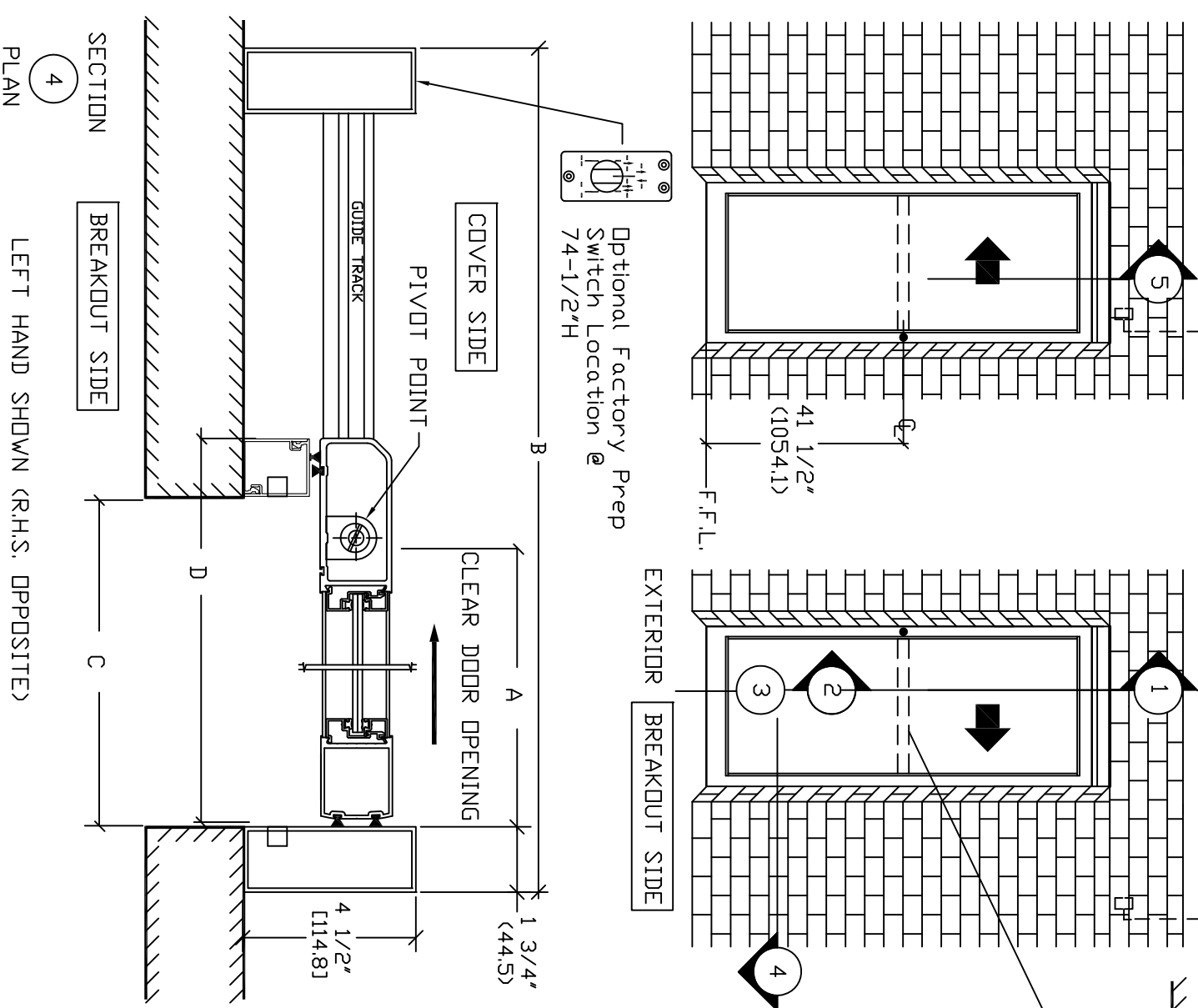


CONSULT YOUR LOCAL AUTHORITY HAVING JURISDICTION (AHJ) IF USING THIS PACKAGE IN PEDESTRIAN APPLICATIONS

* ELECTRICAL SERVICE
 120 VAC, 50/60 HZ,
 15/20A, BY ELEC. CONTR.
 TO JUNCTION BOX.



NOTE: THE STANDARD PACKAGE CONSISTS OF:
 THE AUTOMATIC OPERATOR & WEATHERSTRIP, FRAMES, DOORS WITH
 VERTICAL WEATHERSTRIP, EMERGENCY BREAKAWAY
 & 1-POINT LOCK; 5 OR 3 POSITION SWITCH (DIGITAL (3 OR 5) OR KEY
 (5)), (OFF-EXIT ONLY-AUTO-REDUCED OPENING-HOLD OPEN OR OFF,
 AUTO, HOLD OPEN), MOTION/PRESENCE SENSORS.
 STANDARD FINISH: CLEAR-AA-M12C22A41, CLASS 1, .018 MM,
 DARK BRONZE-AA-M12C22A44, CLASS 1, .018 MM
 SPECIAL FINISHES ARE AVAILABLE.

THIS PACKAGE WILL ACCEPT UP TO 1" (25.4) INSULATED GLASS.

NOTE DRAWING IS DIMENSIONED IN BOTH ENGLISH AND METRIC
 REF. AS FOLLOWS 1" (25.4) ALL METRIC SIZES ARE MILLIMETERS.
 * FOR MAXIMUM CURRENT DRAW PER OPERATOR, SEE PRODUCT
 SPECIFICATION, INSTALLATION INSTRUCTIONS, OR THE UL
 LABEL ON THE EQUIPMENT.
 REFER TO RELEVANT (LOCAL, STATE, NATIONAL OR AHJ) BUILDING
 CODE FOR MIN. DOOR HEIGHT & MIN/MAX WIDTH ALLOWABLE
 FOR EGRESS REQUIREMENT IN CONJUNCTION WITH TABLE BELOW.

MASONRY OPENING WIDTH C	ACTIVE LEAF WIDTH D	DOOR OPENING A	OVERALL FRAME HEIGHT	ROUGH OPENING HEIGHT	OVERALL FRAME WIDTH B
36" (914.4)	37 5/16" (947.7)	32 3/8" (822.3)	89 3/4" (2279.7)	84" (2134)	76 15/16" (1954.2)
42" (1066.8)	43 5/16" (1100.1)	38 3/8" (974.7)	89 3/4" (2279.7)	84" (2134)	88 15/16" (2259.0)
48" (1219.2)	49 5/16" (1252.5)	44 3/8" (1127.1)	89 3/4" (2279.7)	84" (2134)	100 15/16" (2563.8)
KEY	C+1 5/16" C+(33.3)*	C-3 5/8" C-(92.1)	RDH+7" RDH+(177.8)	DFH-7" DFH-(177.8)	2C+4 15/16" 2C+(125.4)*

DFW NOTE: CONSULT FACTORY FOR EXTENDED HEADERS.

STD. GLASS SIZE KEY*	WIDTH	HEIGHT
C-5 5/16"	C-134.9)	DFH-15 7/8"
DFH-(403.2)		

* 1/4" GUTTER, NO MUNTINS BASED ON MASONRY OPENING

HOW TO FIND THE MASONRY OPENING 'C'

VIEW FROM BREAKOUT SIDE

EXTERIOR L.H. SLIDE R.H. SLIDE

INTERIOR

NEW OPENING- MASONRY, STEEL, WOOD, OR STONE/CONC

MASONRY OPENING w/ MANUAL JAMMERS REMOVED AND EXISTING JAMMERS

DWG. NO. 1011272
 DRN BY CLW DATE 8/26/13 CHK BY SS DATE 8/26/13 REV 4.0 DATE 8/22/16

ASSA ABLOY