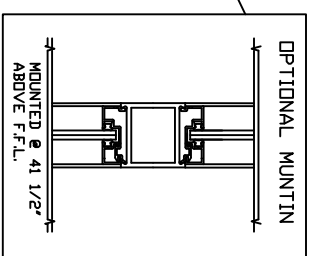
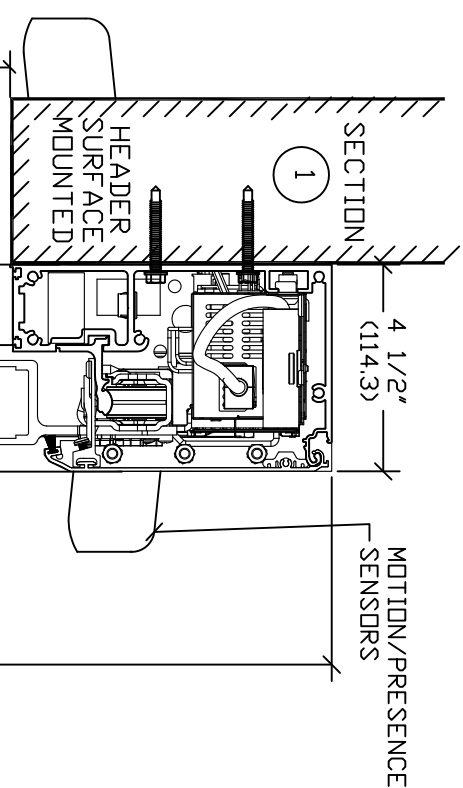
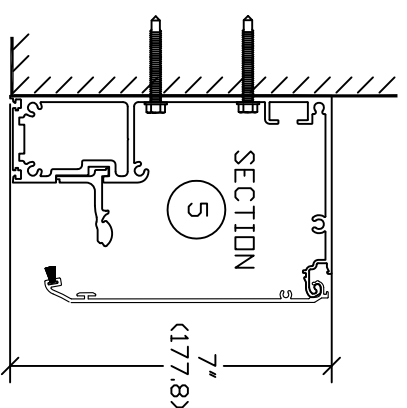
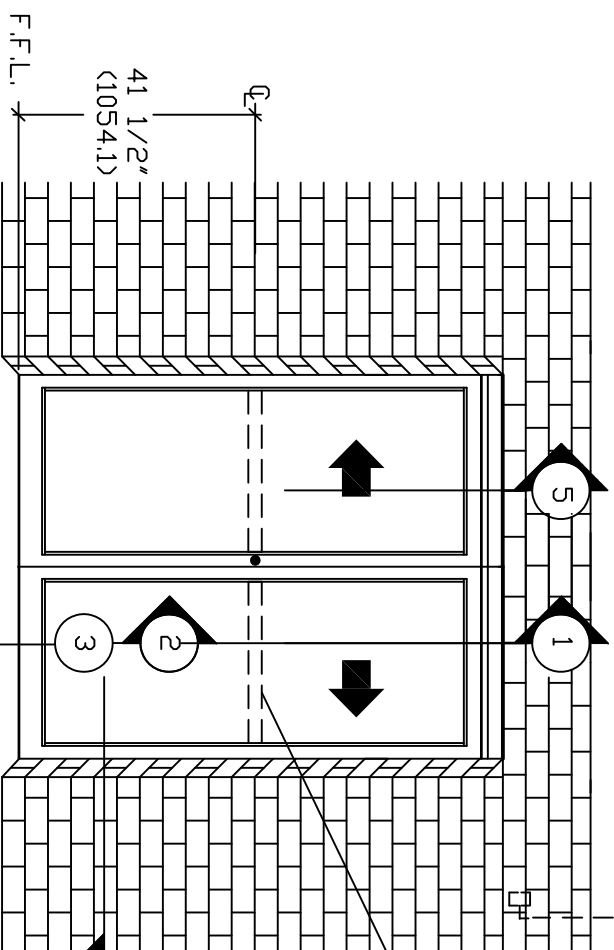


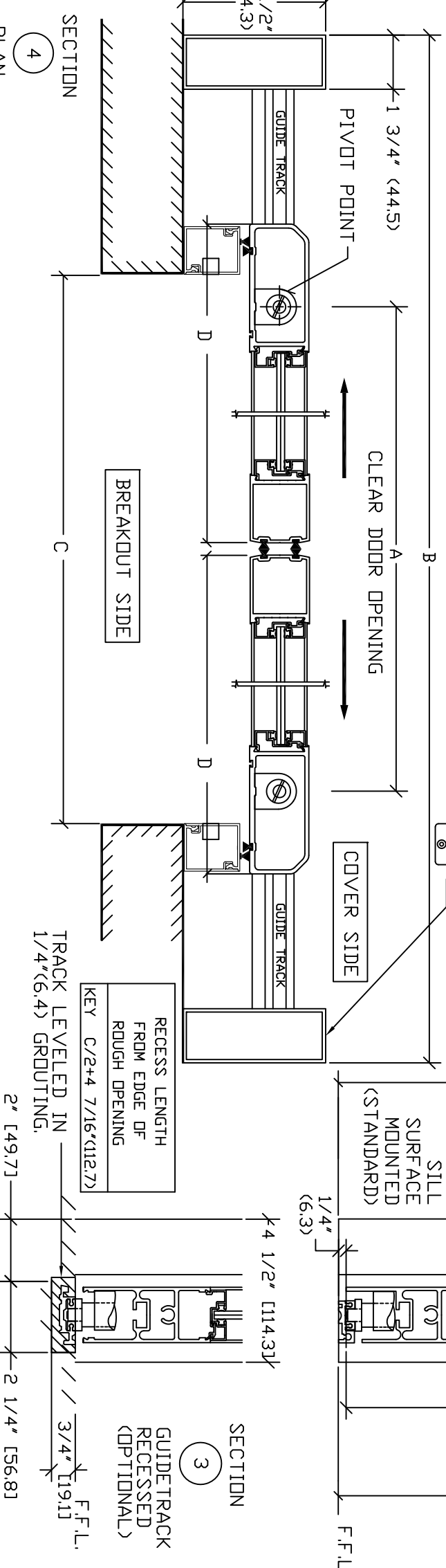
CONSULT YOUR LOCAL AUTHORITY HAVING JURISDICTION
(AHJ) IF USING THIS PACKAGE IN PEDESTRIAN
APPLICATIONS

* ELECTRICAL SERVICE
120 VAC, 50/60 HZ,
15/20A, BY ELEC. CONTR.
TO JUNCTION BOX. ---



Optional Factory Prep
Switch Location @
74-1/2"H

NON REMOVABLE
SECURITY TYPE
GLAZING BEAD
SYSTEM (TYP.)
1/4" STANDARD.



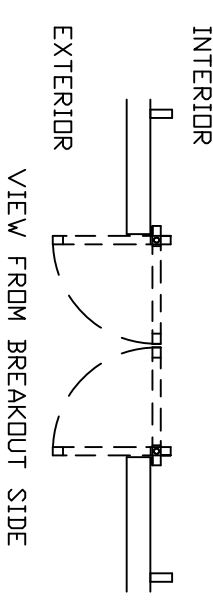
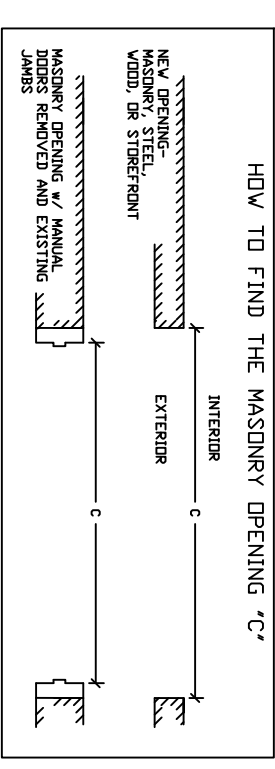
RECESS LENGTH
FROM EDGE OF
ROUGH OPENING
KEY C/2+4 7/16" (112.7)

GUIDETRACK
RECESSED
(OPTIONAL)
3/4" (19.1)
F.F.L.

| MASONRY OPENING WIDTH | ACTIVE LEAF WIDTH C | DOOR OPENING A | OVERALL FRAME HEIGHT | ROUGH OPENING HEIGHT | OVERALL FRAME WIDTH B |
|-----------------------|--------------------------------|----------------------------|----------------------|----------------------|-----------------------|
| 72" (1828.8) | 37 5/16" (947.7) | 64 3/4" (1644.7) | 89 3/4" (2279.7) | 84" (2134) | 150 3/8" (3819.5) |
| 84" (2133.6) | 43 5/16" (1100.1) | 76 3/4" (1949.5) | 89 3/4" (2279.7) | 84" (2134) | 174 3/8" (4429.1) |
| 96" (2438.4) | 49 5/16" (1252.5) | 88 3/4" (2254.3) | 89 3/4" (2279.7) | 84" (2134) | 198 3/8" (5038.7) |
| KEY | C/2+1 5/16" C-7 1/4" C-(184.2) | 88 3/4" RDH+7" RDH+(177.8) | DFH-7" DFH-(177.8) | DFH-7" DFH-(177.8) | 2C+6 3/8" 2C+(161.9)" |

| STD. GLASS SIZE KEY* | DFW NOTE: CONSULT FACTORY FOR EXTENDED HEADERS. | |
|-------------------------|-------------------------------------------------|--------|
| | WIDTH | HEIGHT |
| C/2-5 5/16" C/2-(134.9) | DFH-15 7/8" DFH-(403.2) | |

* 1/4" GUTTER, NO MUNTINS BASED ON MASONRY OPENING



| | |
|---------|---------|
| DWG NO. | 1011273 |
| DRN BY | CLW |
| DATE | 8/26/13 |
| CHK BY | SS |
| DATE | 8/26/13 |
| REV | 4.0 |
| DATE | 8/22-16 |