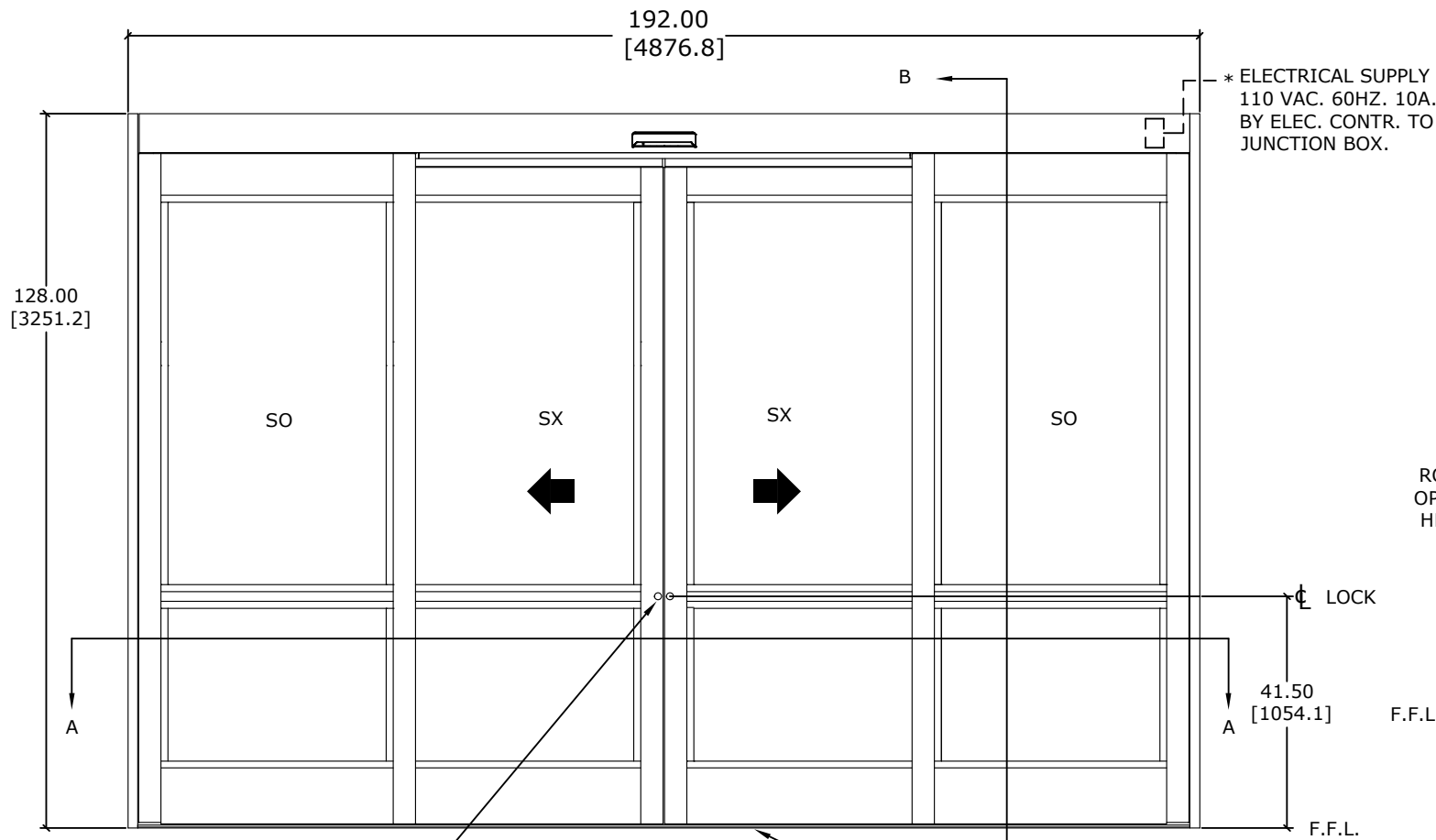


ASSA ABLOY SL500 Resilience R128

Overhead Concealed, Medium Stile, Full Breakout, Bi-Part, Non-Impact

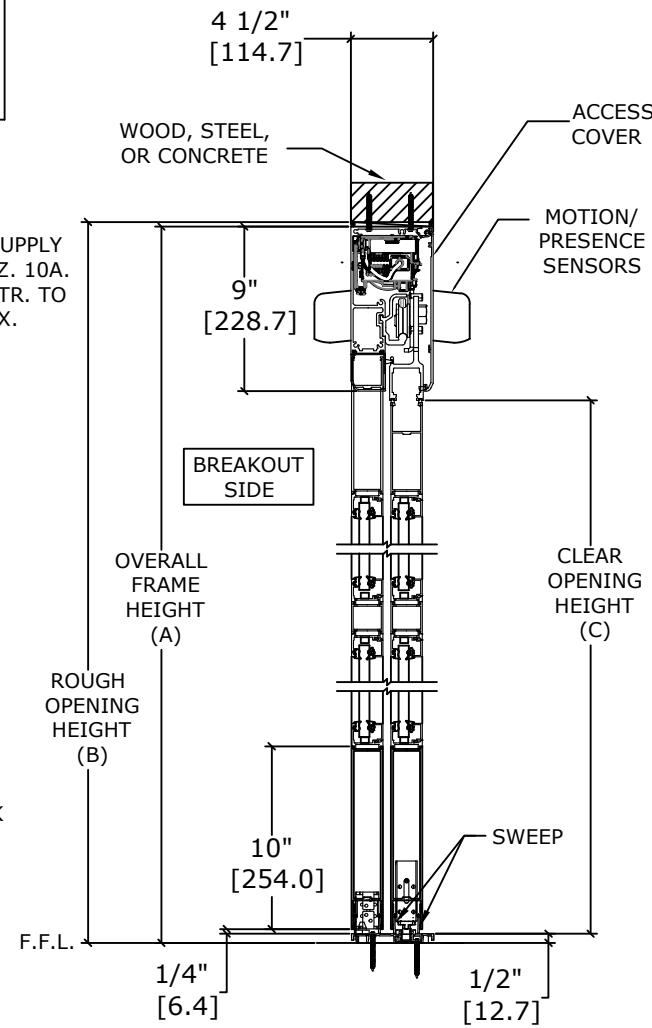


2 POINT STANDARD
A/R #1870 SERIES
LOCK BODY w/ THUMBTURN
SINGLE POINT RELEASE PER ACTIVE PANEL

EXTERIOR ELEVATION (N.T.S.)

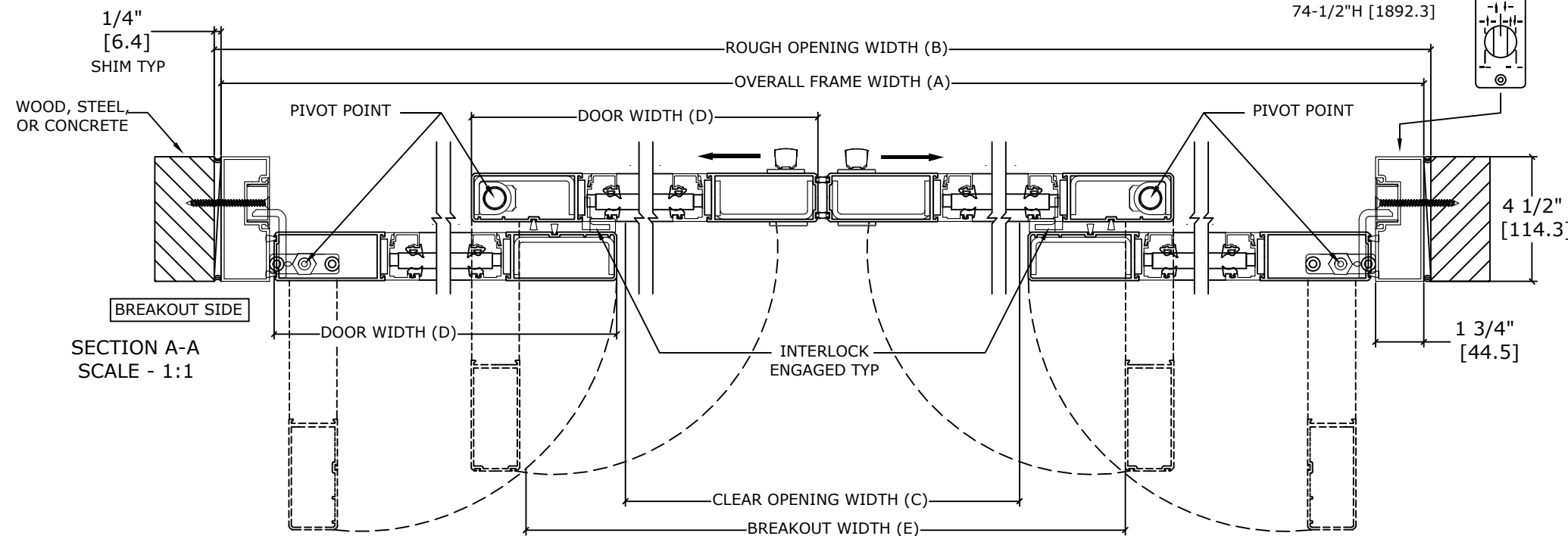
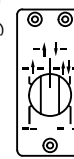
SCALE - 1:6

FLOOR MUST BE WITHIN 1/8" OF LEVEL
ALONG OVERALL FRAME WIDTH.
OPENING NOT TO BE CONCAVE.



SECTION B-B
SCALE - 1:2

OPTIONAL FACTORY PREP
FOR SWITCH LOCATION @
74-1/2"H [1892.3]



SECTION A-A
SCALE - 1:1

	OVERALL FRAME WIDTH (A)	ROUGH OPENING (B)	CLEAR OPENING (C)	DOOR WIDTH (D)	BREAKOUT WIDTH (E)
AT MAX WIDTH	192" [4876.8]	192 1/2" [4889.5]	76 7/16" [1941.5]	49 5/8" [1260.5]	175 9/16" [4459.3]
WIDTH FORMULA	B - 1/2" B - [12.7]	A + 1/2" A + [12.7]	A/2 - 19 9/16" A/2 - [496.1]	A/4 + 1 5/8" A/4 + [40.8]	A - 16 7/16" A - [417.5]
AT MAX HEIGHT	128" [3251.2]	128 1/4" [3257.6]	118" [2997.2]		
HEIGHT FORMULA	B - 1/4" B - [6.35]	A + 1/4" A + [6.35]	A - 10" A - [254.0]		

GLASS FORMULA: OFW /4 - 7 1/2 [190.6] X OFH - 23 1/2 [596.9]

NOTES:

STANDARD PACKAGE CONSISTS OF:

- STANDARD FINISH:
CLASS 1, .018MM, CLEAR- AA-M12C22A41
CLASS 1, .018MM, DARK BRONZE- AA-M12C22A44
- AUTOMATIC OPERATOR
- MEDIUM STILE RAILS
- LOWER MUNTINS, SEE SHEET AA-44 FOR DETAILS
- THRESHOLD
- 2-POINT LOCK WITH LOCK INDICATOR
- 1/4" [6mm] TEMPERED GLASS
- DRY GLAZED
- MOTION/PRESENCE SENSORS
- 5-POSITION KNOB SWITCH
- BALL CATCH
- DUAL CONCEALED SWEEPS IN SX & SO PANELS
- 10" BOTTOM RAILS, SEE SHEET AA-44 FOR DETAILS

OPTIONS AVAILABLE:

- SPECIAL FINISHES
- THRESHOLD LEAD-UP SEE SHEET AA-30 FOR DETAILS
- UPPER MUNTINS, SEE SHEET AA-44 FOR DETAILS
- SEE SHEET OS-10 FOR ALL OTHER OPTIONS

FOR MAXIMUM CURRENT DRAW, SEE PRODUCT SPECIFICATION,
INSTALLATION INSTRUCTIONS, OR THE UL LABEL ON THE EQUIPMENT.

TEST PROTOCOLS: TAS 201, TAS 202 & TAS 203
FLORIDA PRODUCT APPROVAL # 26008.1

REFER TO RELEVANT [LOCAL, STATE, NATIONAL, OR AHJ]
BUILDING CODE FOR MIN DOOR HEIGHT & MIN/MAX WIDTH
ALLOWABLE FOR EGRESS REQUIREMENT IN CONJUNCTION
WITH TABLE.

DIMENSIONS ARE IN INCHES
[mm]

DESIGN PRESSURE RATING	
WHERE WATER INFILTRATION REQUIREMENT IS NEEDED	WHERE WATER INFILTRATION REQUIREMENT IS NOT NEEDED
NOT APPROVED	+/- 70 PSF

DWG NO.	1017785										
DRN BY	DBN	DATE	06/22/18	CHK BY	SF	DATE	XX/XX/XX	REV.	1.0	DATE	XX/XX/XX