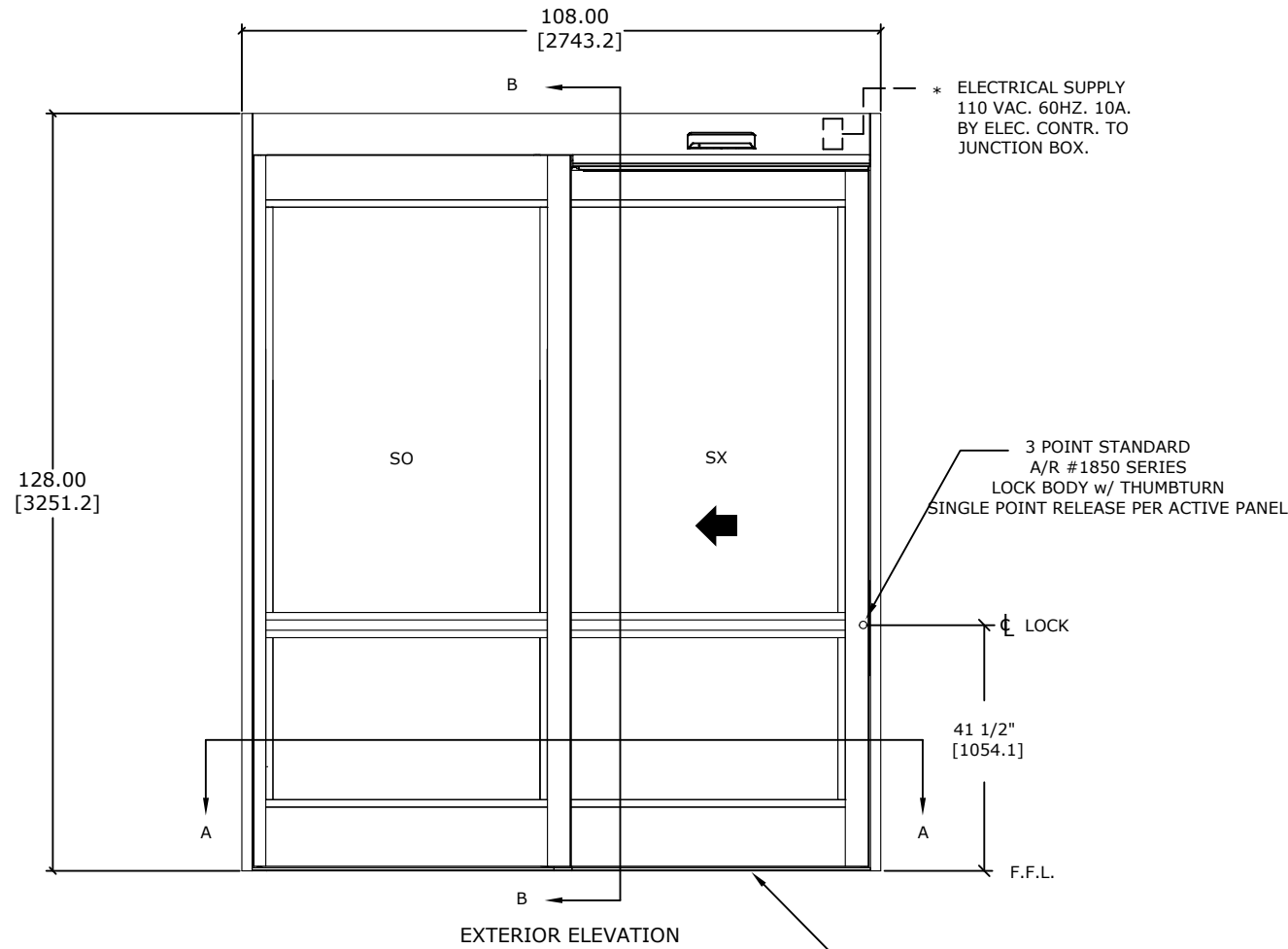


ASSA ABLOY SL500 Resilience R128

Overhead Concealed, Medium Stile, Full Breakout,
 Single Slide, Large & Small Missile Impact - Level D

	OVERALL FRAME WIDTH (A)	ROUGH OPENING (B)	CLEAR OPENING (C)	DOOR WIDTH (D)	BREAKOUT WIDTH (E)
AT MAX WIDTH	108" [2743.2]	108 1/2" [2755.9]	43 3/8" [1101.3]	54 3/4" [1390.3]	98.00" [2490.0]
WIDTH FORMULA	B - 1/2" B - [12.7]	A + 1/2" A + [12.7]	A/2 - 10 5/8" A/2 - [270.3]	A/2 + 3/4" A/2 + [18.7]	A - 10" A - [254.0]
AT MAX HEIGHT	128" [3251.2]	128 1/4" [3257.6]	118" [2997.2]		
HEIGHT FORMULA	B - 1/4" B - [6.35]	A + 1/4" A + [6.35]	A - 10" A - [254.0]		

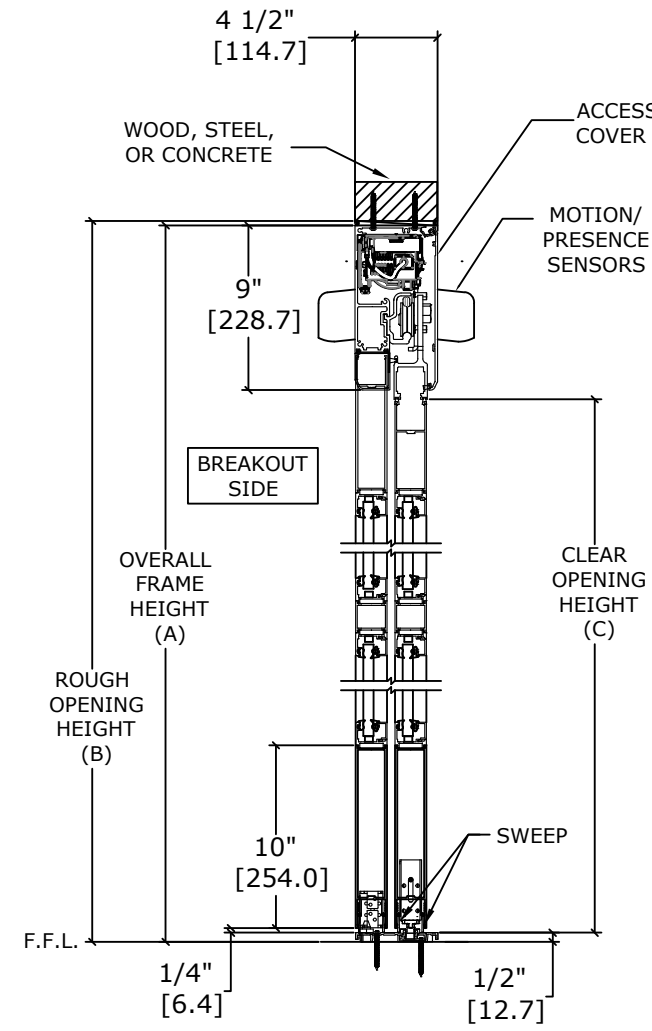


* ELECTRICAL SUPPLY
 110 VAC. 60HZ. 10A.
 BY ELEC. CONTR. TO
 JUNCTION BOX.

3 POINT STANDARD
 A/R #1850 SERIES
 LOCK BODY w/ THUMBTURN
 SINGLE POINT RELEASE PER ACTIVE PANEL

FLOOR MUST BE WITHIN 1/8" OF LEVEL
 ALONG OVERALL FRAME WIDTH.
 OPENING NOT TO BE CONCAVE.

OPTIONAL FACTORY PREP
 FOR SWITCH LOCATION @
 74-1/2"H [1892.3]



SECTION B-B
 SCALE - 1:2

GLASS FORMULA: OFW /2 - 8 3/8 [212.7] X OFH -23 1/2 [596.9]

NOTES:

STANDARD PACKAGE CONSISTS OF:

- STANDARD FINISH:
 CLASS 1, .018MM, CLEAR- AA-M12C22A41
 CLASS 1, .018MM, DARK BRONZE- AA-M12C22A44
- AUTOMATIC OPERATOR
- MEDIUM STILE RAILS
- LOWER MUNTINS, SEE SHEET AA-44 FOR DETAILS
- THRESHOLD
- 3-POINT LOCK WITH LOCK INDICATOR
- 9/16" GLASS STOPS AND BLOCKS
- 1/4" HS - .090" DUPONT SENTRYGLAS PLUS® - 3/16" HS
- DRY GLAZED
- MOTION/PRESENCE SENSORS
- 5-POSITION KNOB SWITCH
- BALL CATCH
- DUAL CONCEALED SWEEPS IN SX & SO PANELS
- 10" BOTTOM RAILS, SEE SHEET AA-44 FOR DETAILS

OPTIONS AVAILABLE:

- SPECIAL FINISHES
- THRESHOLD LEAD-UP SEE SHEET AA-30 FOR DETAILS
- UPPER MUNTINS, SEE SHEET AA-44 FOR DETAILS
- SEE SHEET OS-10 FOR ALL OTHER OPTIONS

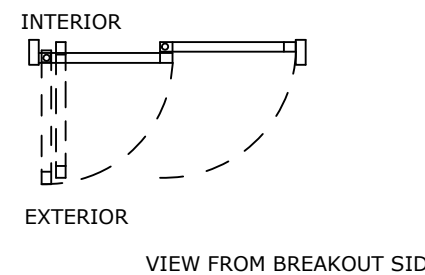
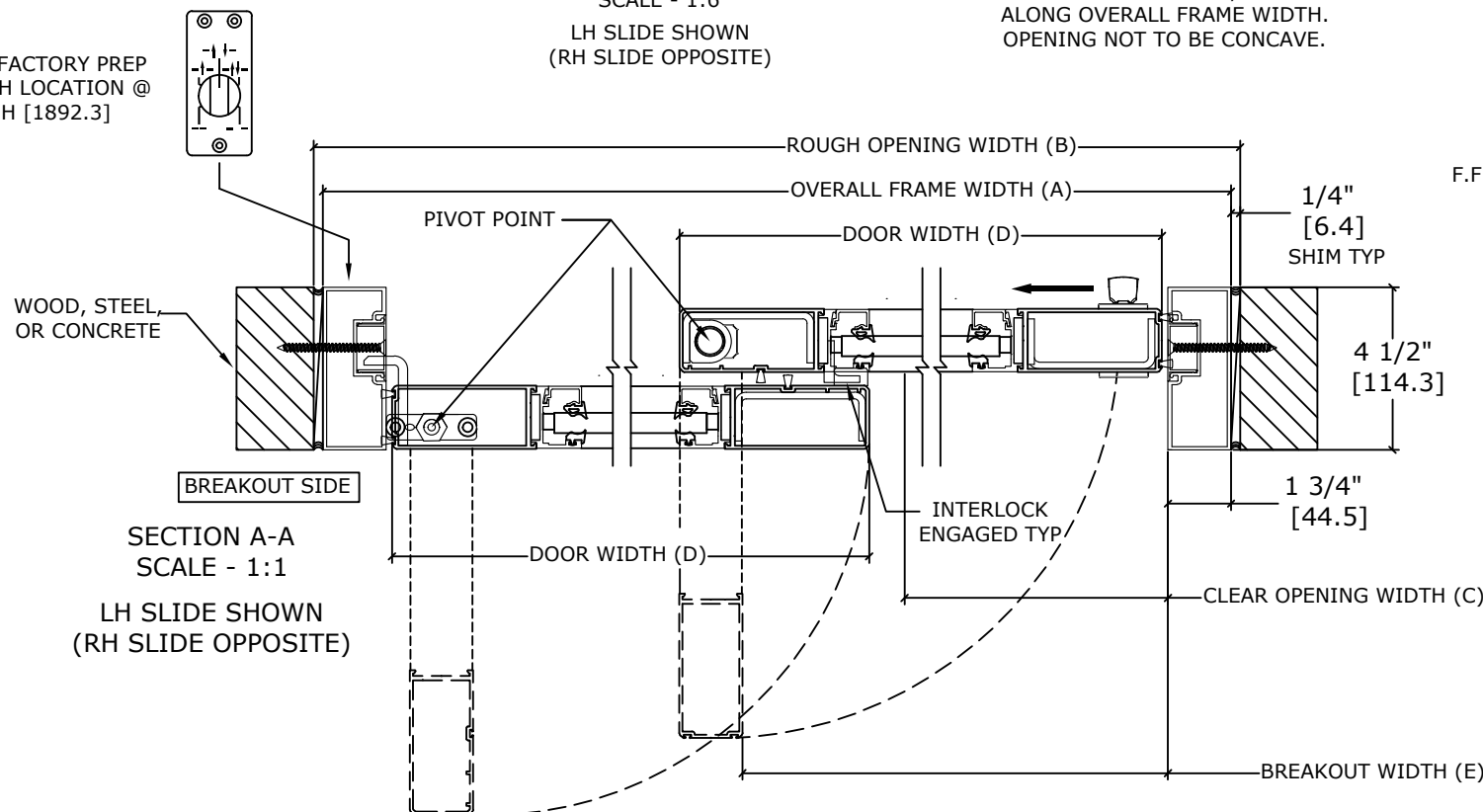
FOR MAXIMUM CURRENT DRAW, SEE PRODUCT SPECIFICATION,
 INSTALLATION INSTRUCTIONS, OR THE UL LABEL ON THE EQUIPMENT.

TEST PROTOCOLS: TAS 201, TAS 202 & TAS 203
 FLORIDA PRODUCT APPROVAL # 26008.1

REFER TO RELEVANT [LOCAL, STATE, NATIONAL, OR AHJ]
 BUILDING CODE FOR MIN DOOR HEIGHT & MIN/MAX WIDTH
 ALLOWABLE FOR EGRESS REQUIREMENT IN CONJUNCTION
 WITH TABLE.

DIMENSIONS ARE IN INCHES
 [mm]

DESIGN PRESSURE RATING	
WHERE WATER INFILTRATION REQUIREMENT IS NEEDED	WHERE WATER INFILTRATION REQUIREMENT IS NOT NEEDED
NOT APPROVED	+/- 70 PSF



DWG NO.	1017786
DRN BY	DBN
DATE	06/22/18
CHK BY	SF
DATE	XX/XX/XX
REV.	1.0
DATE	XX/XX/XX