

ASSA ABLOY SL500 Resilience R128

Overhead Concealed, Medium Stile, Full Breakout,
 Single Slide, Non-Impact

	OVERALL FRAME WIDTH (A)	ROUGH OPENING (B)	CLEAR OPENING (C)	DOOR WIDTH (D)	BREAKOUT WIDTH (E)
AT MAX WIDTH	108" [2743.2]	108 1/2" [2755.9]	43 3/8" [1101.3]	54 3/4" [1390.3]	98.00" [2490.0]
WIDTH FORMULA	B - 1/2" B - [12.7]	A + 1/2" A + [12.7]	A/2 - 10 5/8" A/2 - [270.3]	A/2 + 3/4" A/2 + [18.7]	A - 10" A - [254.0]
AT MAX HEIGHT	128" [3251.2]	128 1/4" [3257.6]	118" [2997.2]		
HEIGHT FORMULA	B - 1/4" B - [6.35]	A + 1/4" A + [6.35]	A - 10" A - [254.0]		

GLASS FORMULA: OFW /2 - 8 3/8 [212.7] X OFH -23 1/2 [596.9]

NOTES:

STANDARD PACKAGE CONSISTS OF:

- STANDARD FINISH:
 CLASS 1, .018MM, CLEAR- AA-M12C22A41
 CLASS 1, .018MM, DARK BRONZE- AA-M12C22A44
- AUTOMATIC OPERATOR
- MEDIUM STILE RAILS
- LOWER MUNTINS. SEE SHEET AA-44 FOR DETAILS
- THRESHOLD
- 3-POINT LOCK WITH LOCK INDICATOR
- 1/4" [6mm] TEMPERED GLASS
- DRY GLAZED
- MOTION/PRESENCE SENSORS
- 5-POSITION KNOB SWITCH
- BALL CATCH
- DUAL CONCEALED SWEEPS IN SX & SO PANELS
- 10" BOTTOM RAILS, SEE SHEET AA-44 FOR DETAILS

OPTIONS AVAILABLE:

- SPECIAL FINISHES
- THRESHOLD LEAD-UP SEE SHEET AA-30 FOR DETAILS
- UPPER MUNTINS, SEE SHEET AA-44 FOR DETAILS
- SEE SHEET OS-10 FOR ALL OTHER OPTIONS

FOR MAXIMUM CURRENT DRAW, SEE PRODUCT SPECIFICATION, INSTALLATION INSTRUCTIONS, OR THE UL LABEL ON THE EQUIPMENT.

TEST PROTOCOLS: TAS 201, TAS 202 & TAS 203
 FLORIDA PRODUCT APPROVAL # 26008.1

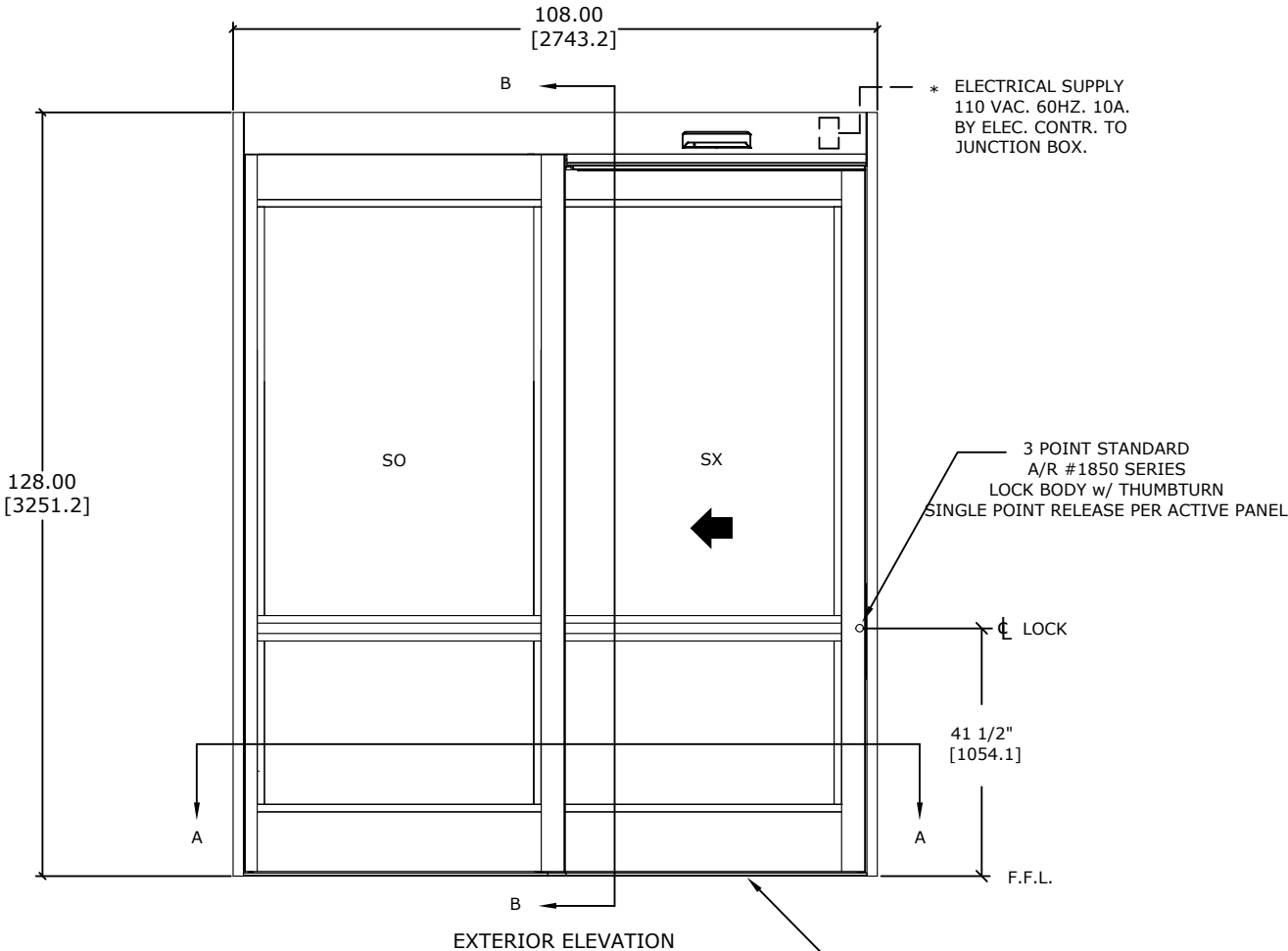
REFER TO RELEVANT [LOCAL, STATE, NATIONAL, OR AHJ] BUILDING CODE FOR MIN DOOR HEIGHT & MIN/MAX WIDTH ALLOWABLE FOR EGRESS REQUIREMENT IN CONJUNCTION WITH TABLE.

DIMENSIONS ARE IN INCHES [mm]

DESIGN PRESSURE RATING	
WHERE WATER INFILTRATION REQUIREMENT IS NEEDED	WHERE WATER INFILTRATION REQUIREMENT IS NOT NEEDED
NOT APPROVED	+/- 70 PSF

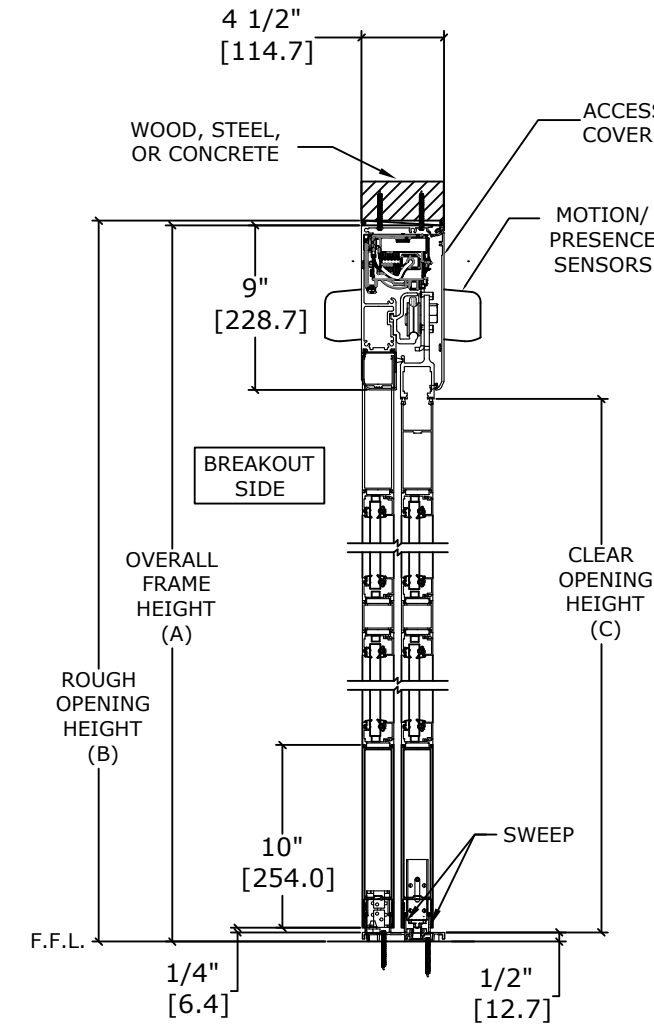
DWG NO.	1017787										
DRN BY	DBN	DATE	06/22/18	CHK BY	SF	DATE	XX/XX/XX	REV.	1.0	DATE	XX/XX/XX

ASSA ABLOY

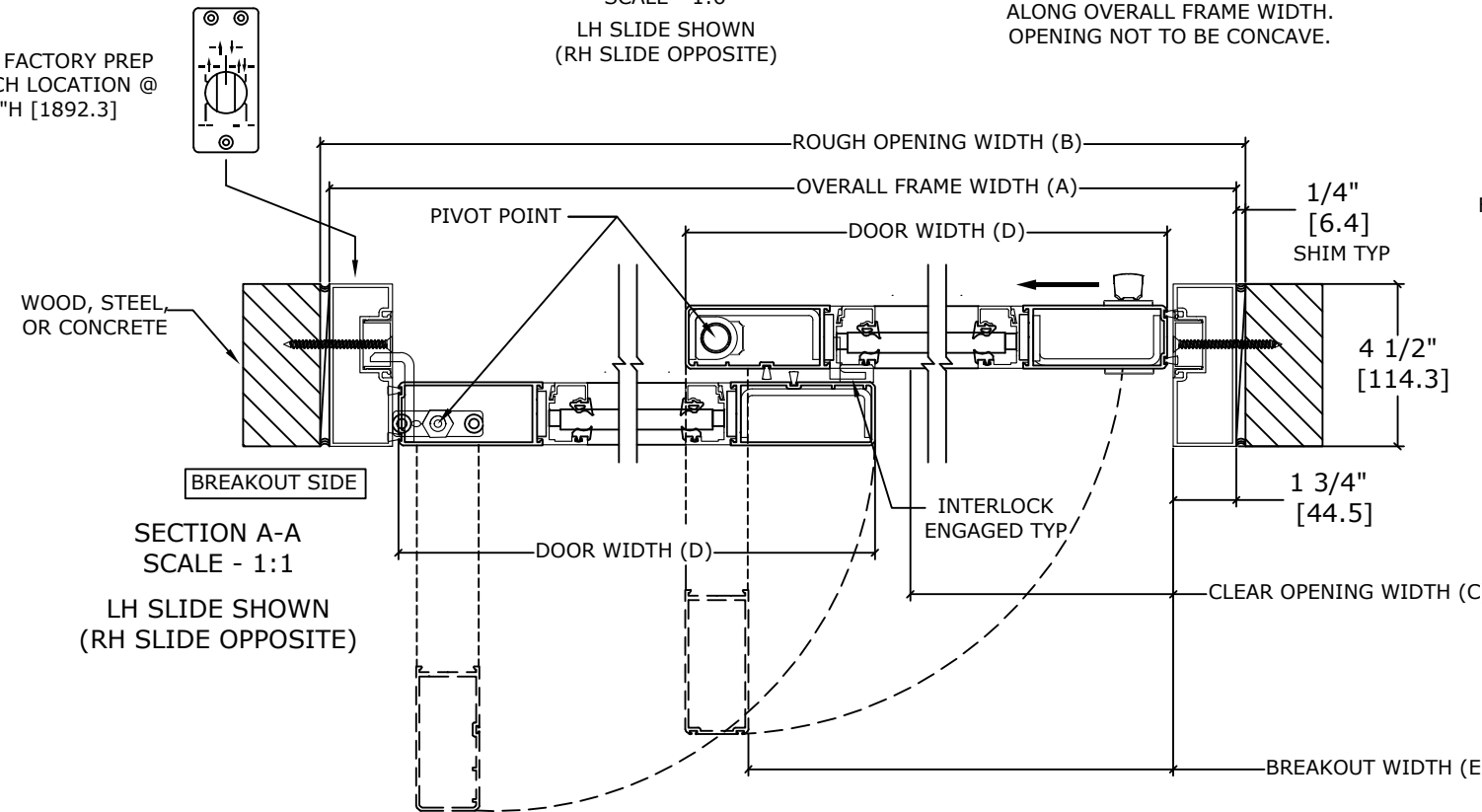
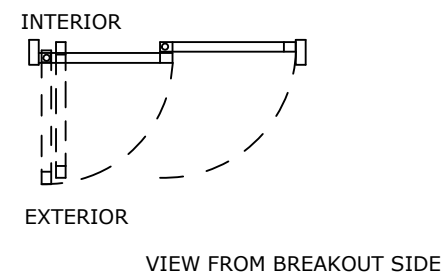


FLOOR MUST BE WITHIN 1/8" OF LEVEL ALONG OVERALL FRAME WIDTH. OPENING NOT TO BE CONCAVE.

OPTIONAL FACTORY PREP FOR SWITCH LOCATION @ 74-1/2"H [1892.3]



SECTION B-B SCALE - 1:2



SECTION A-A SCALE - 1:1
 LH SLIDE SHOWN (RH SLIDE OPPOSITE)