

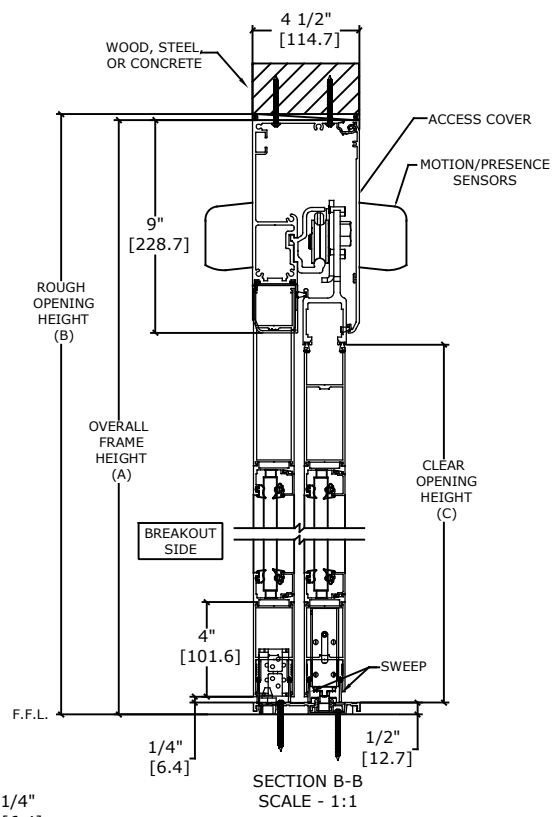
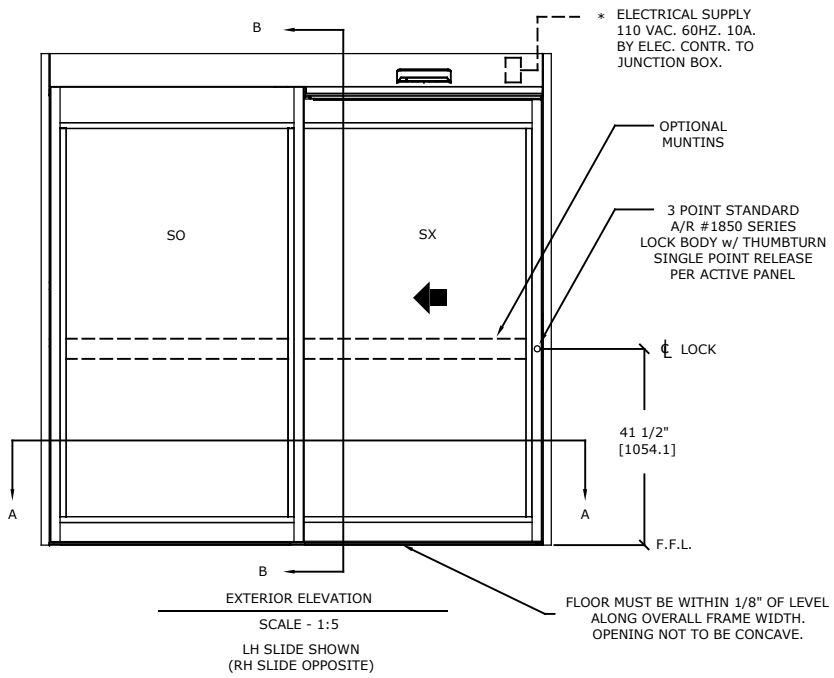
ASSA ABLOY

ASSA ABLOY ENTRANCE SYSTEMS
1900 AIRPORT ROAD
MONROE, NC 28110
PHONE: 1-866-237-2687
SPECDESK.NA.ENTRANCE@ASSAABLOY.COM

ASSA ABLOY SL500 Resilience R104

Overhead Concealed, Narrow Stile, Full Breakout, Single Slide
Large & Small Missile Impact - Level D

MODEL NO.	OVERALL FRAME WIDTH (A)	ROUGH OPENING (B)	CLEAR OPENING (C)	DOOR WIDTH (D)	BREAKOUT WIDTH (E)
AT MAX WIDTH	108" [2743.2]	108 1/2" [2755.9]	46 1/8" [1172.8]	53 3/4" [1366.4]	98.00" [2490.0]
WIDTH FORMULA	B - 1/2"	A + 1/2"	A/2 - 7 7/8"	A/2 - 1/4"	A - 10"
AT MAX HEIGHT	104" [2641.6]	104 1/4" [2648.0]	94" [2387.6]		
HEIGHT FORMULA	B - 1/4"	A + 1/4"	A - 10"		



GLASS FORMULA: OFW /2 - 5 9/16 [141.42] X OFH -20 1/2 [520.80]

NOTES:

STANDARD PACKAGE CONSISTS OF:

- STANDARD FINISH:
CLASS 1, .018MM, CLEAR- AA-M12C22A41
CLASS 1, .018MM, DARK BRONZE- AA-M12C22A44
- AUTOMATIC OPERATOR
- NARROW STILE RAILS
- THRESHOLD
- 3-POINT LOCK WITH LOCK INDICATOR
- 9/16" GLASS STOPS AND BLOCKS
1/4" HS - .090" DUPONT SENTRYGLAS PLUS® - 3/16" HS
- DRY GLAZED
- MOTION/PRESENCE SENSORS
- 5-POSITION KNOB SWITCH
- BALL CATCH
- DUAL CONCEALED SWEEPS IN SX & SO PANELS

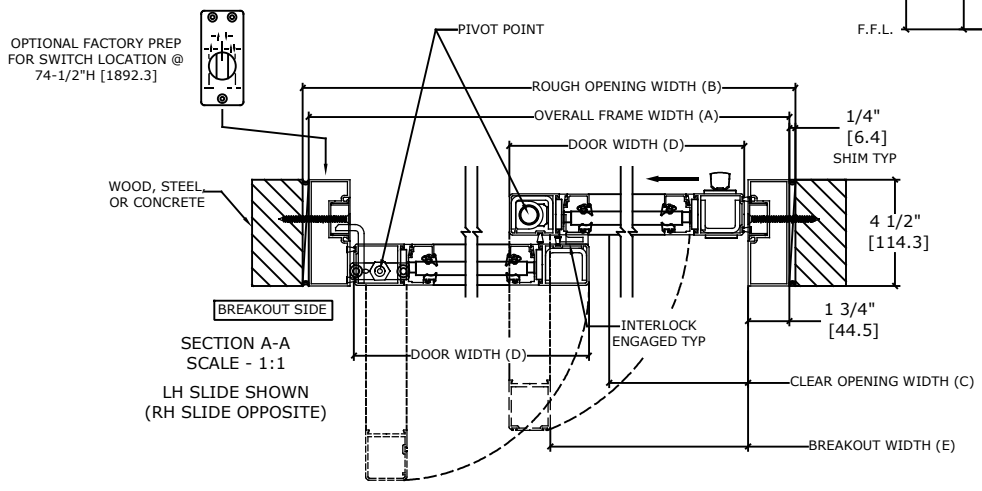
OPTIONS AVAILABLE:

- SPECIAL FINISHES
- 1" IG O.A. LAMINATED GLASS
- 3/8" HS - .090" DUPONT SENTRYGLAS PLUS® - 3/8" HS - 3/8" AIR GAP - 3/8" FT
SEE SHEET AA-39 FOR DETAILS
- 7" & 10" BOTTOM RAILS, SEE SHEET AA-44 FOR DETAILS
- THRESHOLD LEAD-UP, SEE SHEET AA-30 FOR DETAILS
- MUNTINS, SEE SHEET AA-44 FOR DETAILS
- SEE SHEET OS-10 FOR ALL OTHER OPTIONS

FOR MAXIMUM CURRENT DRAW, SEE PRODUCT SPECIFICATION, INSTALLATION INSTRUCTIONS, OR THE UL LABEL ON THE EQUIPMENT.

TEST PROTOCOLS: TAS 201, TAS 202 & TAS 203
FLORIDA PRODUCT APPROVAL # 26008.1
MIAMI-DADE PRODUCT CONTROL NOA# 18-0424.02

REFER TO RELEVANT [LOCAL, STATE, NATIONAL, OR AHJ] BUILDING CODE FOR MIN DOOR HEIGHT & MIN/MAX WIDTH ALLOWABLE FOR EGRESS REQUIREMENT IN CONJUNCTION WITH TABLE.



DESIGN PRESSURE RATING	
WHERE WATER INFILTRATION REQUIREMENT IS NEEDED	WHERE WATER INFILTRATION REQUIREMENT IS NOT NEEDED
NOT APPROVED	+/- 80 PSF

DWG NO. 1017806

DRN BY	DBN	DATE	04/26/18	CHK BY	SF	DATE	08/22/18	REV.	3.0	DATE	2/13/19
--------	-----	------	----------	--------	----	------	----------	------	-----	------	---------

ASSA ABLOY