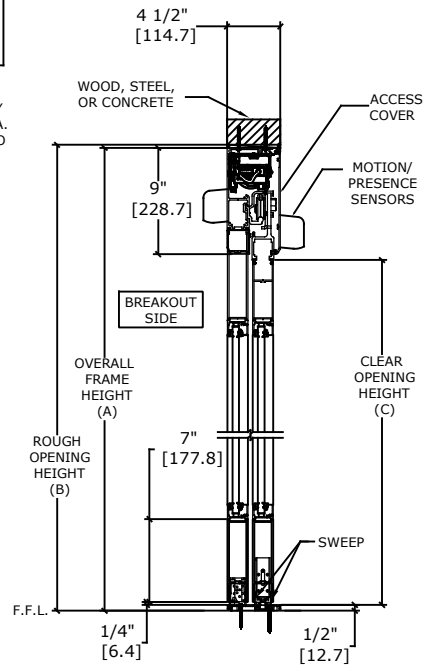
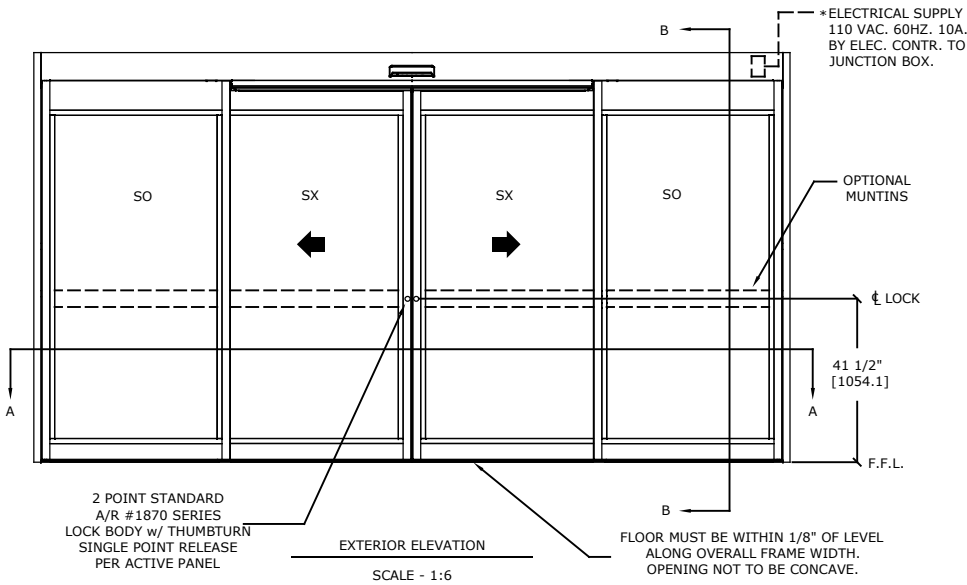


**ASSA ABLOY**

ASSA ABLOY ENTRANCE SYSTEMS  
1900 AIRPORT ROAD  
MONROE, NC 28110  
PHONE: 1-866-237-2687  
SPECDESK.NA.ENTRANCE@ASSAABLOY.COM

**ASSA ABLOY SL500 Resilience R104**

Overhead Concealed, Medium Stile, Full Breakout, Bi-Part  
Large & Small Missile Impact - Level D



	OVERALL FRAME WIDTH (A)	ROUGH OPENING (B)	CLEAR OPENING (C)	DOOR WIDTH (D)	BREAKOUT WIDTH (E)
AT MAX WIDTH	192" [4876.8]	192 1/2" [4889.5]	76 7/16" [1941.5]	49 5/8" [1260.5]	175 9/16" [4459.3]
WIDTH FORMULA	B - 1/2" A + [12.7]	A + 1/2" A + [12.7]	A/2 - 19 9/16" A/2 - [496.1]	A/4 + 1 5/8" A/4 + [40.8]	A - 16 7/16" A - [417.5]
AT MAX HEIGHT	104" [2641.6]	104 1/4" [2648.0]	94" [2387.6]		
HEIGHT FORMULA	B - 1/4" B - [6.35]	A + 1/4" A + [6.35]	A - 10" A - [254.0]		

GLASS FORMULA: OFW /4 - 7 1/2 [190.6] X OFH -23 1/2 [596.9]

**NOTES:**

STANDARD PACKAGE CONSISTS OF:

- STANDARD FINISH:
  - CLASS 1, .018MM, CLEAR- AA-M12C22A41
  - CLASS 1, .018MM, DARK BRONZE- AA-M12C22A44
- AUTOMATIC OPERATOR
- MEDIUM STILE RAILS
- THRESHOLD
- 2-POINT LOCK WITH LOCK INDICATOR
- 9/16" GLASS STOPS AND BLOCKS
- 1/4" HS - .090" DUPONT SENTRYGLAS PLUS® - 3/16" HS
- DRY GLAZED
- MOTION/PRESENCE SENSORS
- 5-POSITION KNOB SWITCH
- BALL CATCH
- DUAL CONCEALED SWEEPS IN SX & SO PANELS

OPTIONS AVAILABLE:

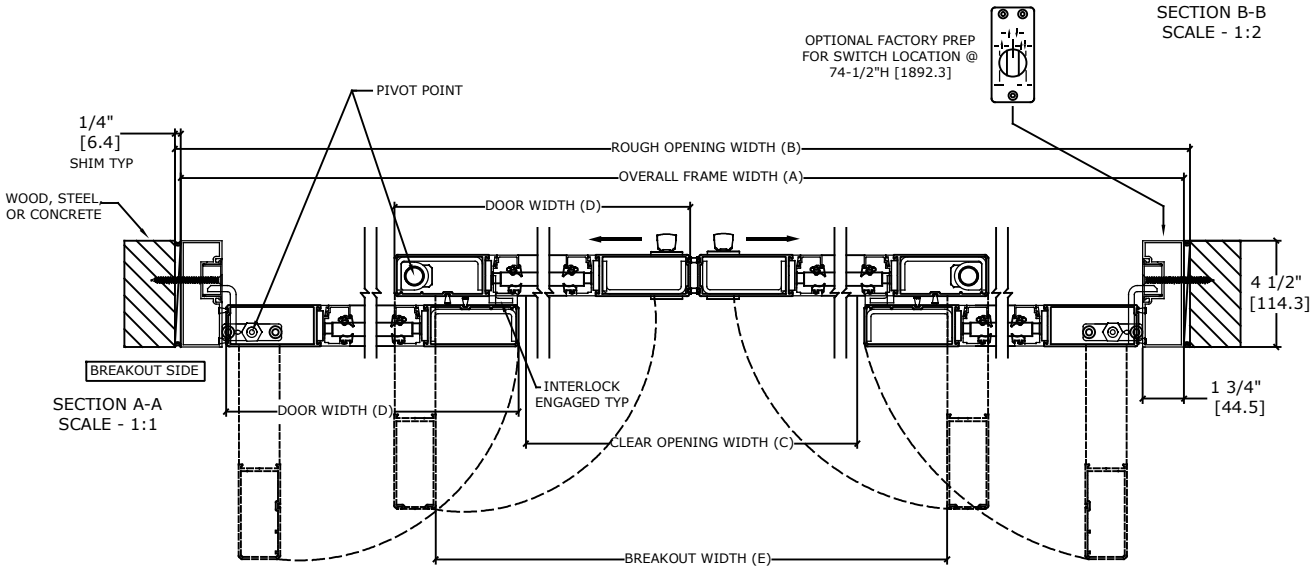
- SPECIAL FINISHES
- 1" IG O.A. LAMINATED GLASS
- 3/8" HS - .090" DUPONT SENTRYGLAS PLUS® - 3/8" HS - 3/8" AIR GAP - 3/16" FT
- SEE SHEET AA-39 FOR DETAILS
- 10" BOTTOM RAILS, SEE SHEET AA-44 FOR DETAILS
- THRESHOLD LEAD-UP SEE SHEET AA-30 FOR DETAILS
- MUNTINS, SEE SHEET AA-44 FOR DETAILS
- SEE SHEET OS-10 FOR ALL OTHER OPTIONS

FOR MAXIMUM CURRENT DRAW, SEE PRODUCT SPECIFICATION, INSTALLATION INSTRUCTIONS, OR THE UL LABEL ON THE EQUIPMENT.

TEST PROTOCOLS: TAS 201, TAS 202 & TAS 203  
FLORIDA PRODUCT APPROVAL # 26008.1  
MIAMI-DADE PRODUCT CONTROL NOA# 18-0424.02

REFER TO RELEVANT [LOCAL, STATE, NATIONAL, OR AHJ] BUILDING CODE FOR MIN DOOR HEIGHT & MIN/MAX WIDTH ALLOWABLE FOR EGRESS REQUIREMENT IN CONJUNCTION WITH TABLE.

DESIGN PRESSURE RATING	
WHERE WATER INFILTRATION REQUIREMENT IS NEEDED	WHERE WATER INFILTRATION REQUIREMENT IS NOT NEEDED
NOT APPROVED	+/- 80 PSF



OPTIONAL FACTORY PREP FOR SWITCH LOCATION @ 74-1/2"H [1892.3]

DWG NO. 1017813

DRN BY	DBN	DATE	04/26/18	CHK BY	SF	DATE	08/22/18	REV.	3.0	DATE	2/13/19
--------	-----	------	----------	--------	----	------	----------	------	-----	------	---------

**ASSA ABLOY**