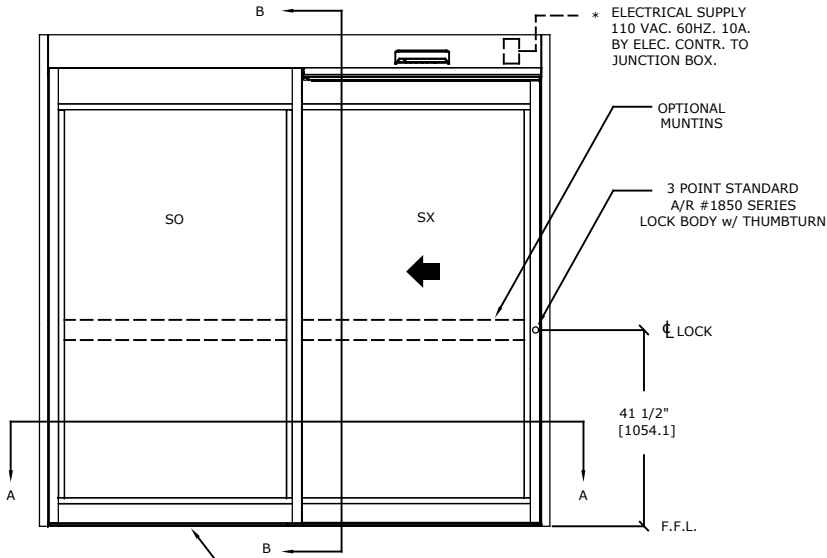


ASSA ABLOY

ASSA ABLOY ENTRANCE SYSTEMS
1900 AIRPORT ROAD
MONROE, NC 28110
PHONE: 1-866-237-2687
SPECDESK.NA.ENTRANCE@ASSAABLOY.COM

ASSA ABLOY SL500 Resilience R104

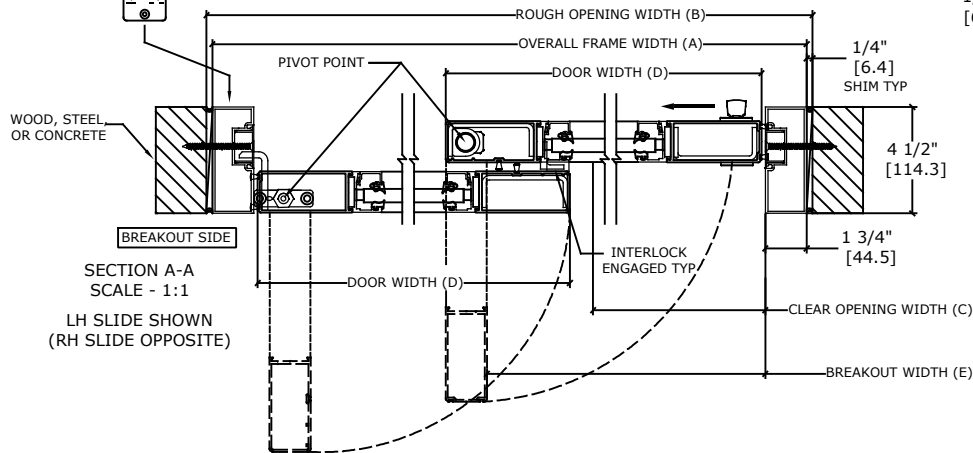
Overhead Concealed, Medium Stile, Full Breakout, Single Slide
Large & Small Missile Impact - Level D



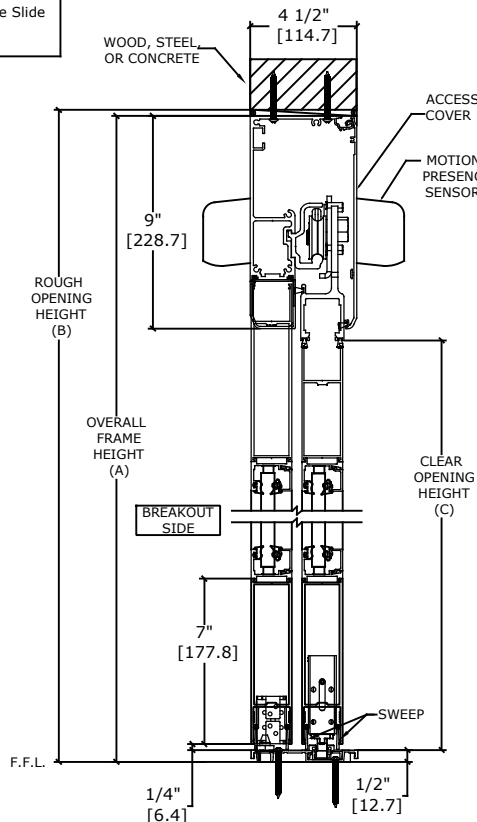
FLOOR MUST BE WITHIN 1/8" OF LEVEL ALONG OVERALL FRAME WIDTH. OPENING NOT TO BE CONCAVE.

EXTERIOR ELEVATION
SCALE - 1:5
LH SLIDE SHOWN (RH SLIDE OPPOSITE)

OPTIONAL FACTORY PREP FOR SWITCH LOCATION @ 74-1/2"H [1892.3]



SECTION A-A
SCALE - 1:1
LH SLIDE SHOWN (RH SLIDE OPPOSITE)



SECTION B-B
SCALE - 1:1

| MODEL NO. | OVERALL FRAME WIDTH (A) | ROUGH OPENING (B) | CLEAR OPENING (C) | DOOR WIDTH (D) | BREAKOUT WIDTH (E) |
|----------------|-------------------------|-------------------|-------------------|------------------|--------------------|
| AT MAX WIDTH | 108" [2743.2] | 108 1/2" [2755.9] | 43 3/8" [1101.3] | 53 3/4" [1366.4] | 98.00" [2490.0] |
| WIDTH FORMULA | B - 12.7 | A + 12.7 | A/2 - 270.3 | A/2 - 5.2 | A - 254.0 |
| AT MAX HEIGHT | 104" [2641.6] | 104 1/4" [2648.0] | 94" [2387.6] | | |
| HEIGHT FORMULA | B - 6.35 | A + 6.35 | A - 254.0 | | |

GLASS FORMULA: OFW /2 - 8 3/8 [212.7] X OFH -23 1/2 [596.9]

NOTES:

STANDARD PACKAGE CONSISTS OF:

- STANDARD FINISH:
 - CLASS 1, .018MM, CLEAR- AA-M12C22A41
 - CLASS 1, .018MM, DARK BRONZE- AA-M12C22A44
- AUTOMATIC OPERATOR
- MEDIUM STILE RAILS
- THRESHOLD
- 3-POINT LOCK WITH LOCK INDICATOR
- 9/16" GLASS STOPS AND BLOCKS
- 1/4" HS - .090" DUPONT SENTRYGLAS PLUS® - 3/16" HS
- DRY GLAZED
- MOTION/PRESENCE SENSORS
- 5-POSITION KNOB SWITCH
- BALL CATCH
- DUAL CONCEALED SWEEPS IN SX & SO PANELS

OPTIONS AVAILABLE:

- SPECIAL FINISHES
- 1" IG O.A. LAMINATED GLASS
- 3/8" HS - .090" DUPONT SENTRYGLAS PLUS® - 3/8" HS - 3/8" AIR GAP - 3/8" FT
- SEE SHEET AA-39 FOR DETAILS
- 10" BOTTOM RAILS, SEE SHEET AA-44 FOR DETAILS
- THRESHOLD LEAD-UP, SEE SHEET AA-30 FOR DETAILS
- MUNTINS, SEE SHEET AA-44 FOR DETAILS
- SEE SHEET OS-10 FOR ALL OTHER OPTIONS

FOR MAXIMUM CURRENT DRAW, SEE PRODUCT SPECIFICATION, INSTALLATION INSTRUCTIONS, OR THE UL LABEL ON THE EQUIPMENT.

TEST PROTOCOLS: TAS 201, TAS 202 & TAS 203
FLORIDA PRODUCT APPROVAL # 26008.1
MIAMI-DADE PRODUCT CONTROL NOA# 18-0424.02

REFER TO RELEVANT [LOCAL, STATE, NATIONAL, OR AHJ] BUILDING CODE FOR MIN DOOR HEIGHT & MIN/MAX WIDTH ALLOWABLE FOR EGRESS REQUIREMENT IN CONJUNCTION WITH TABLE.

| DESIGN PRESSURE RATING | |
|--|--|
| WHERE WATER INFILTRATION REQUIREMENT IS NEEDED | WHERE WATER INFILTRATION REQUIREMENT IS NOT NEEDED |
| NOT APPROVED | +/- 80 PSF |

DWG NO. 1017814

| | | | | | | | | | | | |
|--------|-----|------|----------|--------|----|------|----------|------|-----|------|---------|
| DBN BY | DBN | DATE | 04/26/18 | CHK BY | SF | DATE | 08/22/18 | REV. | 3.0 | DATE | 2/13/19 |
|--------|-----|------|----------|--------|----|------|----------|------|-----|------|---------|

ASSA ABLOY