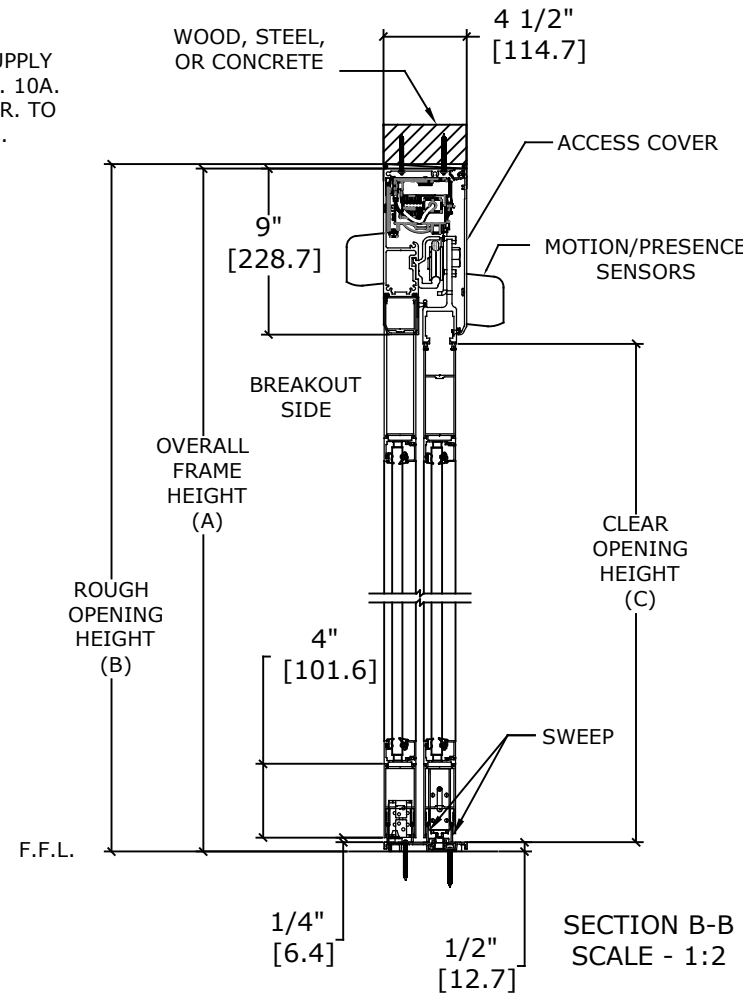
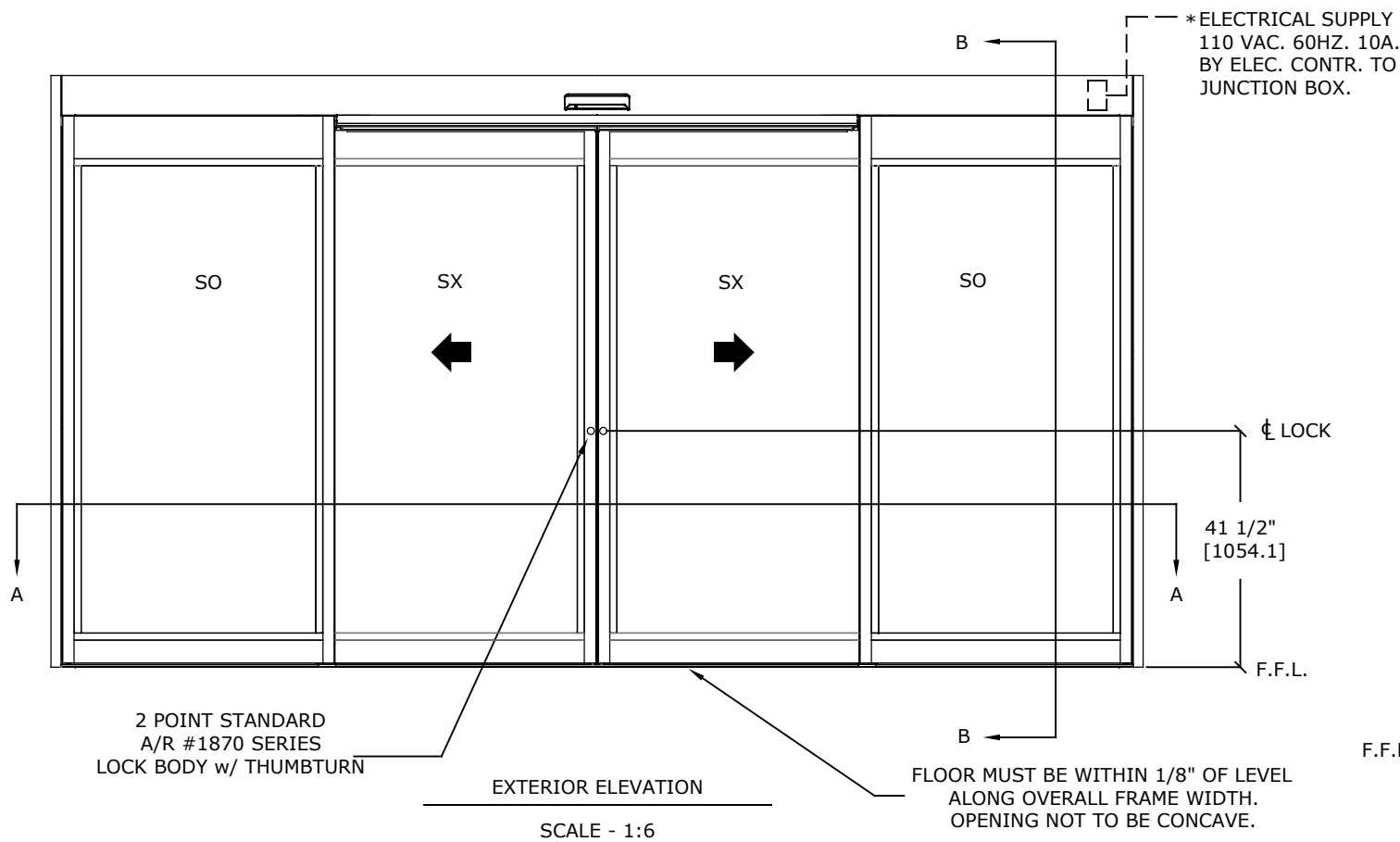


ASSA ABLOY SL500 Resilience R104

Overhead Concealed, Narrow Stile, Full Breakout, Bi-Part
Large & Small Missile Impact - Level E



	OVERALL FRAME WIDTH (A)	ROUGH OPENING (B)	CLEAR OPENING (C)	DOOR WIDTH (D)	BREAKOUT WIDTH (E)
AT MAX WIDTH	192" [4876.8]	192 1/2" [4889.5]	82 1/16" [2085.2]	48 5/8" [1236.3]	175 9/16" [4459.3]
WIDTH FORMULA	B - 1/2" B - [12.7]	A + 1/2" A + [12.7]	A/2 - 13 15/16" A/2 - [353.2]	A/4 + 5/8" A/4 + [17.1]	A - 16 7/16" A - [417.5]
AT MAX HEIGHT	104" [2641.6]	104 1/4" [2648.0]	94" [2387.6]		
HEIGHT FORMULA	B - 1/4" B - [6.35]	A + 1/4" A + [6.35]	A - 10" A - [254.0]		

GLASS FORMULA: OFW /4 - 4 5/8 [119.2] X OFH -20 1/2 [520.80]

NOTES:

STANDARD PACKAGE CONSISTS OF:

- STANDARD FINISH:
CLASS 1, .018MM, CLEAR- AA-M12C22A41
CLASS 1, .018MM, DARK BRONZE- AA-M12C22A44
- AUTOMATIC OPERATOR
- NARROW STILE RAILS
- THRESHOLD
- 2-POINT LOCK WITH LOCK INDICATOR
- 9/16" GLASS STOPS AND BLOCKS
- 1/4" HS - .180" DUPONT SENTRYGLAS PLUS® - 1/4" HS
- MOTION/PRESENCE SENSORS
- 5-POSITION KNOB SWITCH
- BALL CATCH
- DUAL CONCEALED SWEEPS IN SX & SO PANELS

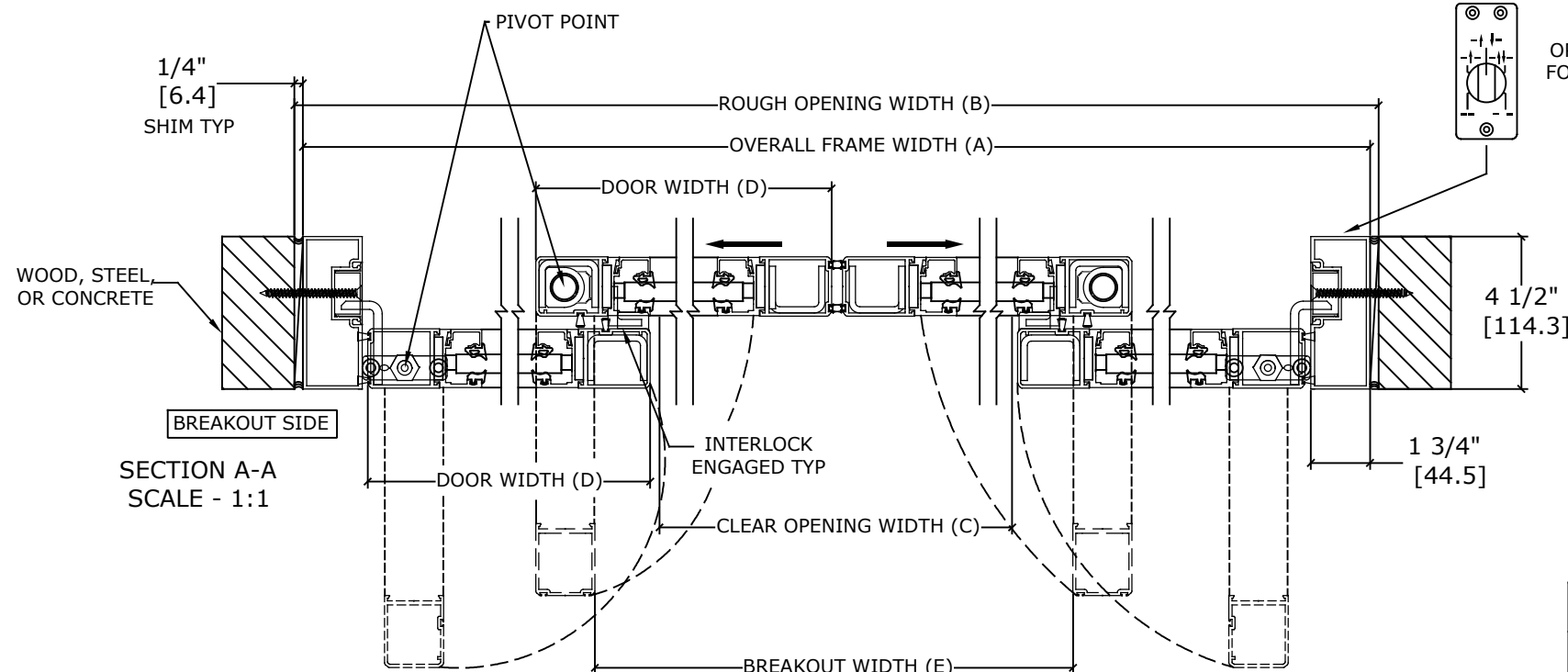
OPTIONS AVAILABLE:

- SPECIAL FINISHES
- 7" & 10" BOTTOM RAILS, SEE SHEET AA-44 FOR DETAILS
- THRESHOLD LEAD-UP SEE SHEET AA-30 FOR DETAILS
- MUNTINS, SEE SHEET AA-44 FOR DETAILS
- SEE SHEET OS-10 FOR ALL OTHER OPTIONS

FOR MAXIMUM CURRENT DRAW, SEE PRODUCT SPECIFICATION,
INSTALLATION INSTRUCTIONS, OR THE UL LABEL ON THE EQUIPMENT.

TEST PROTOCOLS: TAS 201, TAS 202 & TAS 203
FLORIDA PRODUCT APPROVAL # 26008.2

REFER TO RELEVANT [LOCAL, STATE, NATIONAL, OR AHJ]
BUILDING CODE FOR MIN DOOR HEIGHT & MIN/MAX WIDTH
ALLOWABLE FOR EGRESS REQUIREMENT IN CONJUNCTION
WITH TABLE.



OPTIONAL FACTORY PREP
FOR SWITCH LOCATION @
74-1/2"H [1892.3]

DESIGN PRESSURE RATING	
WHERE WATER INFILTRATION REQUIREMENT IS NEEDED	WHERE WATER INFILTRATION REQUIREMENT IS NOT NEEDED
NOT APPROVED	+/- 80 PSF

DWG NO. 1017821					
DRN BY	DBN	DATE	04/26/18	CHK BY	SF
		DATE	08/22/18	REV.	2.0
		DATE	09/12/18		
ASSA ABLOY					