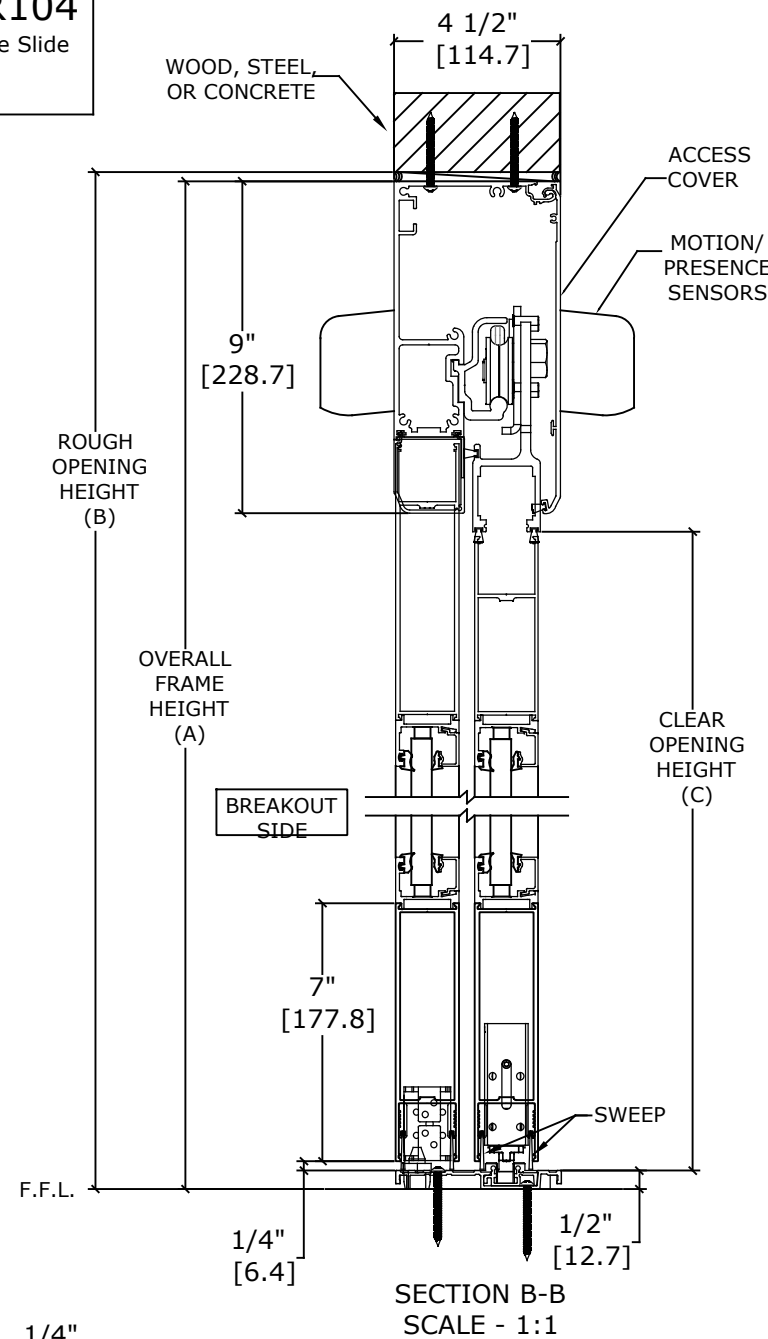
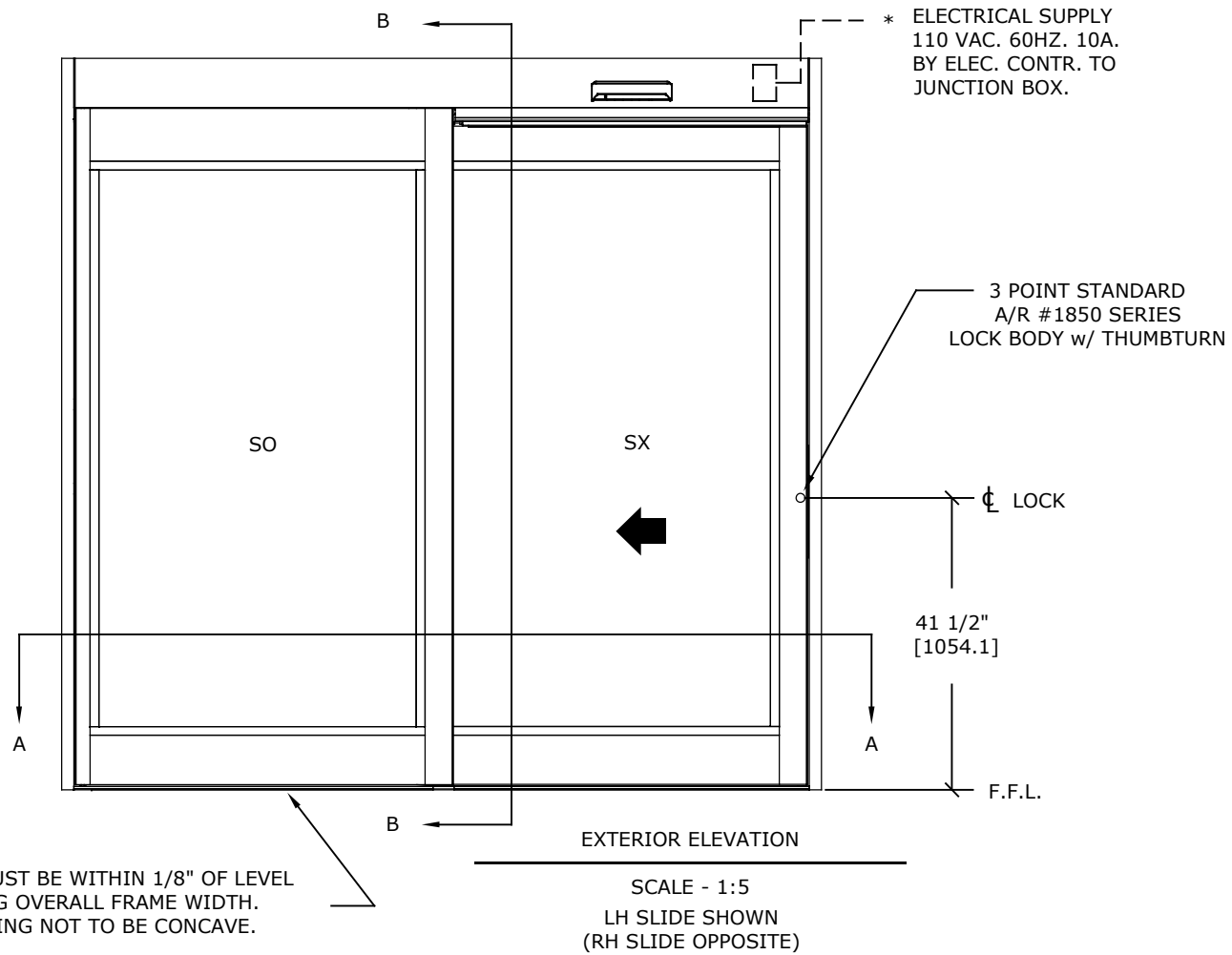




ASSA ABLOY ENTRANCE SYSTEMS
 1900 AIRPORT ROAD
 MONROE, NC 28110
 PHONE: 1-866-237-2687
 SPECDESK.NA.ENTRANCE@ASSAABLOY.COM

ASSA ABLOY SL500 Resilience R104

Overhead Concealed, Medium Stile, Full Breakout, Single Slide
 Large & Small Missile Impact - Level E



MODEL NO.	OVERALL FRAME WIDTH (A)	ROUGH OPENING (B)	CLEAR OPENING (C)	DOOR WIDTH (D)	BREAKOUT WIDTH (E)
AT MAX WIDTH	108" [2743.2]	108 1/2" [2755.9]	43 3/8" [1101.3]	53 3/4" [1366.4]	98.00" [2490.0]
WIDTH FORMULA	B - 1/2" B - [12.7]	A + 1/2" A + [12.7]	A/2 - 10 5/8" A/2 - [270.3]	A/2 - 1/4" A/2 - [5.2]	A - 10" A - [254.0]
AT MAX HEIGHT	104" [2641.6]	104 1/4" [2648.0]	94" [2387.6]		
HEIGHT FORMULA	B - 1/4" B - [6.35]	A + 1/4" A + [6.35]	A - 10" A - [254.0]		

GLASS FORMULA: OFW /2 - 8 3/8 [212.7] X OFH -23 1/2 [596.9]

NOTES:

STANDARD PACKAGE CONSISTS OF:

- STANDARD FINISH:
 CLASS 1, .018MM, CLEAR- AA-M12C22A41
 CLASS 1, .018MM, DARK BRONZE- AA-M12C22A44
- AUTOMATIC OPERATOR
- MEDIUM STILE RAILS
- THRESHOLD
- 3-POINT LOCK WITH LOCK INDICATOR
- 9/16" GLASS STOPS AND BLOCKS
 1/4" HS - .180" DUPONT SENTRYGLAS PLUS® - 1/4" HS
- MOTION/PRESENCE SENSORS
- 5-POSITION KNOB SWITCH
- BALL CATCH
- DUAL CONCEALED SWEEPS IN SX & SO PANELS

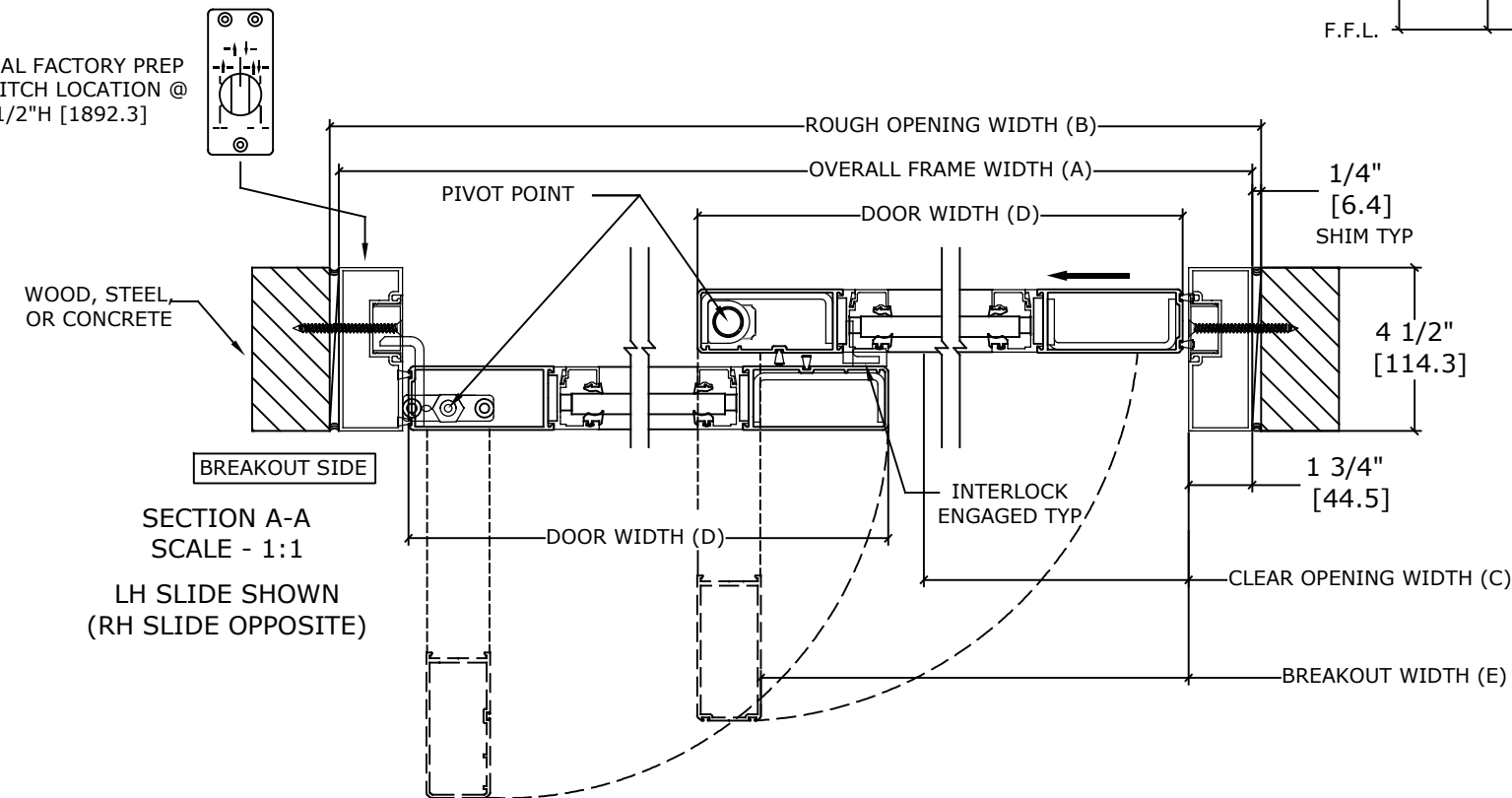
OPTIONS AVAILABLE:

- SPECIAL FINISHES
- 10" BOTTOM RAILS, SEE SHEET AA-44 FOR DETAILS
- THRESHOLD LEAD-UP, SEE SHEET AA-30 FOR DETAILS
- MUNTINS, SEE SHEET AA-44 FOR DETAILS
- SEE SHEET OS-10 FOR ALL OTHER OPTIONS

FOR MAXIMUM CURRENT DRAW, SEE PRODUCT SPECIFICATION, INSTALLATION INSTRUCTIONS, OR THE UL LABEL ON THE EQUIPMENT.

TEST PROTOCOLS: TAS 201, TAS 202 & TAS 203
 FLORIDA PRODUCT APPROVAL # 26008.2

REFER TO RELEVANT [LOCAL, STATE, NATIONAL, OR AHJ] BUILDING CODE FOR MIN DOOR HEIGHT & MIN/MAX WIDTH ALLOWABLE FOR EGRESS REQUIREMENT IN CONJUNCTION WITH TABLE.



DESIGN PRESSURE RATING	
WHERE WATER INFILTRATION REQUIREMENT IS NEEDED	WHERE WATER INFILTRATION REQUIREMENT IS NOT NEEDED
NOT APPROVED	+/- 80 PSF

DWG NO.	1017824				
DRN BY	DBN	DATE	04/26/18	CHK BY	SF
		DATE	08/22/18	REV.	2.0
		DATE	09/12/18		
ASSA ABLOY					