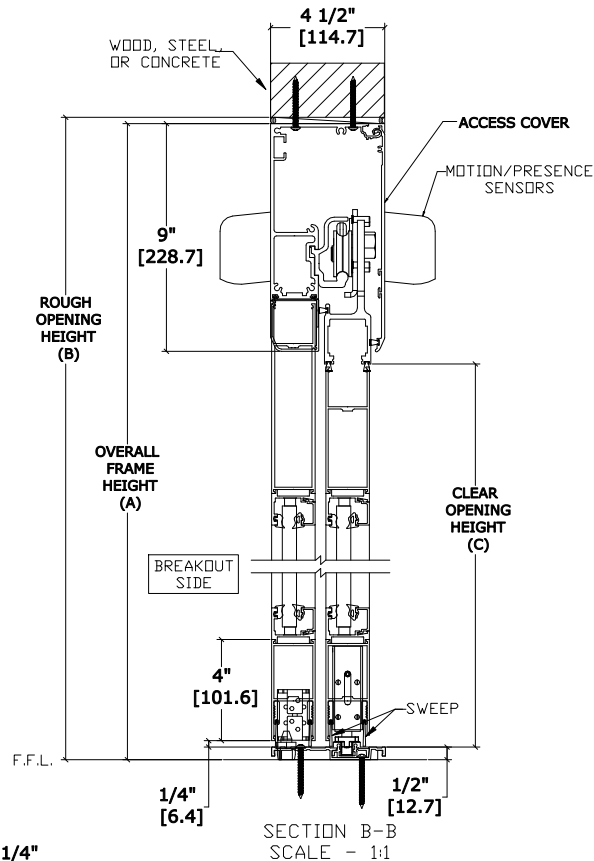
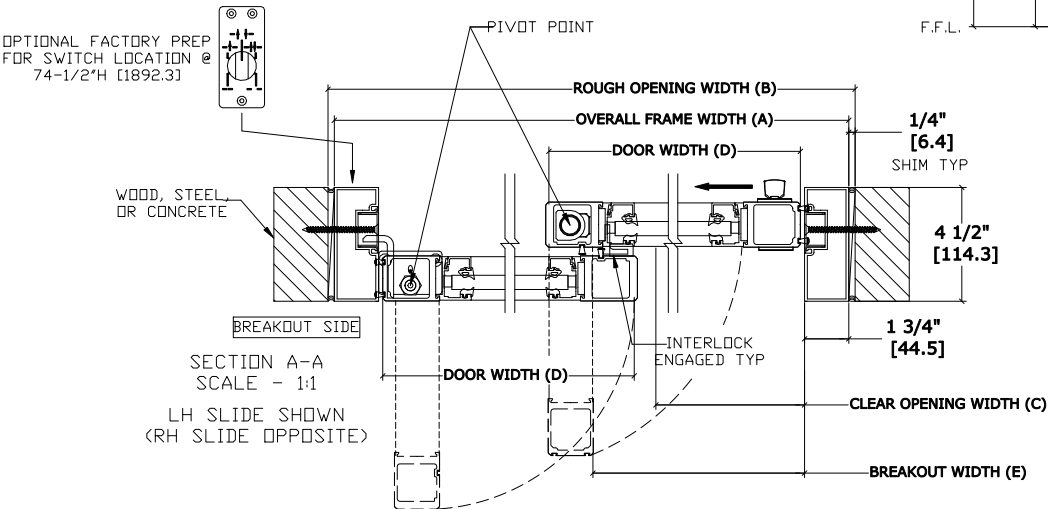
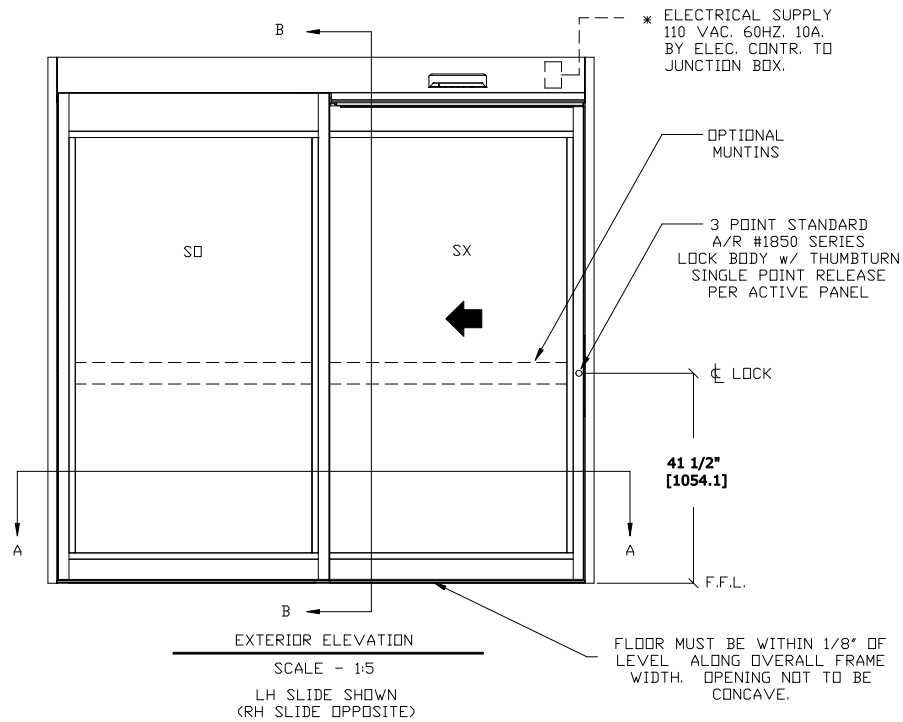


# ASSA ABLOY

ASSA ABLOY ENTRANCE SYSTEMS  
 1900 AIRPORT ROAD  
 MONROE, NC 28110  
 PHONE: 1-866-237-2687  
 SPECDESK.NA.ENTRANCE@ASSAABLOY.COM

## ASSA ABLOY SL500 Resilience R104

Overhead Concealed, Narrow Stile, Full Breakout,  
 Single Slide, Large & Small Missile Impact - Level D



MODEL NO.	OVERALL FRAME WIDTH (A)	ROUGH OPENING (B)	CLEAR OPENING (C)	DOOR WIDTH (D)	BREAKOUT WIDTH (E)
AT MAX WIDTH	108" [2743.2]	108 1/2" [2755.9]	46 1/8" [1171.6]	53 3/4" [1365.3]	98.00" [2490.0]
WIDTH FORMULA	B - 1/2" A - [12.7]	A + 1/2" A + [12.7]	A/2 - 7/8" A/2 - [22.2]	A/2 - 1/4" A/2 - [6.35]	A - 10" A - [254.0]
AT MAX HEIGHT	104" [2641.6]	104 1/4" [2648.0]	94" [2387.6]		
HEIGHT FORMULA	B - 1/4" B - [6.35]	A + 1/4" A + [6.35]	A - 10" A - [254.0]		

GLASS FORMULA: DFV /2 - 5 5/8" [142.9] X DFH -20 1/2" [520.70]

### NOTES:

#### STANDARD PACKAGE CONSISTS OF:

- STANDARD FINISH:
- CLASS 1, .018MM, CLEAR- AA-M12C22A41
- CLASS 1, .018MM, DARK BRONZE- AA-M12C22A44
- AUTOMATIC OPERATOR
- NARROW STILE RAILS
- THRESHOLD
- 3-POINT LOCK WITH LOCK INDICATOR
- 9/16" GLASS STOPS AND BLOCKS
- 1/4" HS - .090" DUPONT SENTRYGLAS PLUS® - 1/4" HS
- DRY GLAZED
- MOTION/PRESENCE SENSORS
- 5-POSITION KNOB SWITCH
- BALL CATCH
- DUAL CONCEALED SWEEPS IN SX & SO PANELS
- 4" BOTTOM RAILS

#### OPTIONS AVAILABLE:

- SPECIAL FINISHES
- PANIC EXIT DEVICE
- 1" IG O.A. LAMINATED GLASS
- 3/8" HS - .090" DUPONT SENTRYGLAS PLUS® - 3/8" HS - 3/8" AIR GAP - 3/8" FT
- 7" /10" BOTTOM RAILS
- THRESHOLD LEAD-UP
- TRUE DIVIDED MUNTINS
- FALSE MUNTINS
- SEE SHEET OS-10 FOR ALL OTHER OPTIONS AND OPTION DETAILS

FOR MAXIMUM CURRENT DRAW, SEE PRODUCT SPECIFICATION, INSTALLATION INSTRUCTIONS, OR THE UL LABEL ON THE EQUIPMENT.

TEST PROTOCOLS: TAS 201, TAS 202 & TAS 203  
 FLORIDA PRODUCT APPROVAL # FL30356

REFER TO RELEVANT LOCAL, STATE, NATIONAL, OR AHJJ BUILDING CODE FOR MIN DOOR HEIGHT & MIN/MAX WIDTH ALLOWABLE FOR EGRESS REQUIREMENT IN CONJUNCTION WITH TABLE.

NOTE: PATENT PENDING

DWG NO. 1019907	DRN BY S.J.F.	DATE 9/18/19	CHK BY	DATE	REV. 2.0	DATE 10/17/19
-----------------	---------------	--------------	--------	------	----------	---------------

DESIGN PRESSURE RATING	
WHERE WATER INFILTRATION REQUIREMENT IS NEEDED	WHERE WATER INFILTRATION REQUIREMENT IS NOT NEEDED
NOT APPROVED	+/- 85 PSF*

\*PSF RATINGS RANGE FROM 85-125 PSF DEPENDENT ON PACKAGE WIDTH AND HEIGHT. FOR SPECIFIC RATINGS, CONSULT PRODUCT APPROVALS OR PSF/SIZE CALCULATOR ON THE PRODUCT WEBPAGE.

# ASSA ABLOY