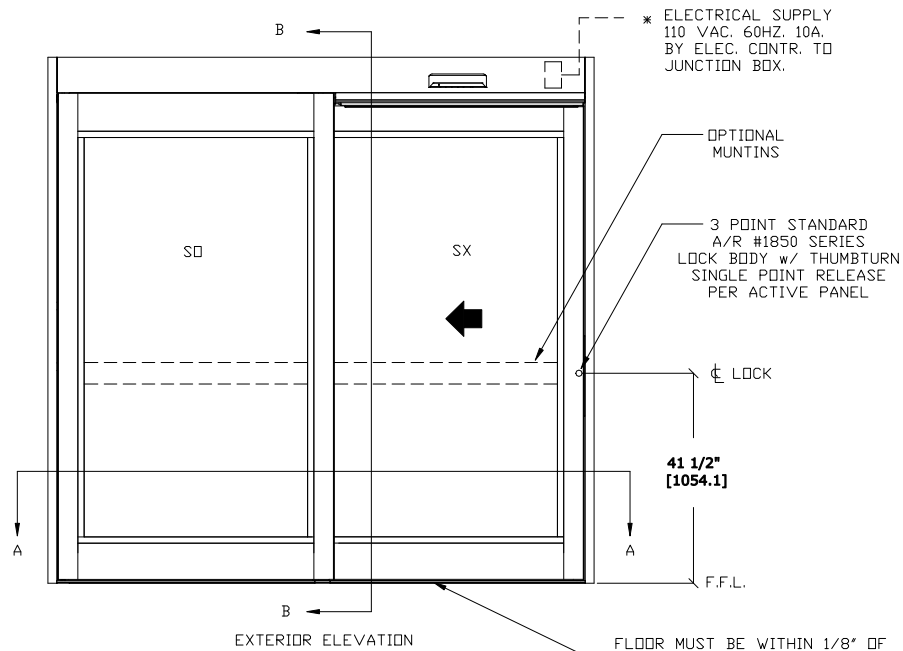


# ASSA ABLOY

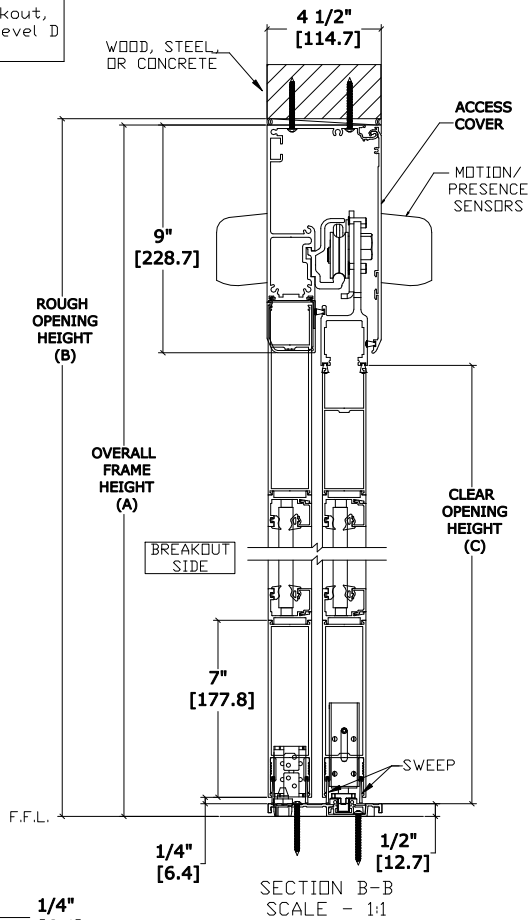
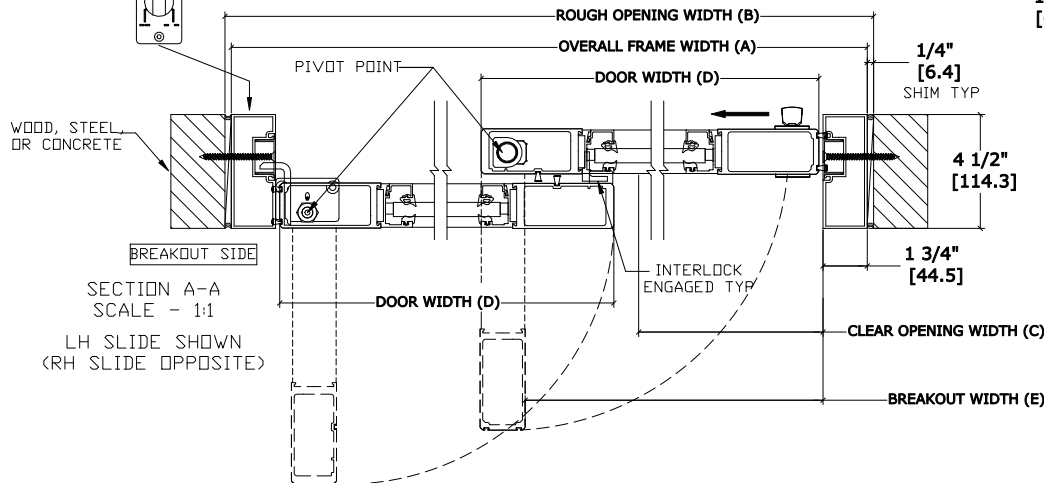
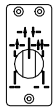
ASSA ABLOY ENTRANCE SYSTEMS  
 1900 AIRPORT ROAD  
 MONROE, NC 28110  
 PHONE: 1-866-237-2687  
 SPECDESK.NA.ENTRANCE@ASSAABLOY.COM

## ASSA ABLOY SL500 Resilience R104

Overhead Concealed, Medium Stile, Full Breakout,  
 Single Slide, Large & Small Missile Impact - Level D



OPTIONAL FACTORY PREP FOR SWITCH LOCATION @ 74-1/2"H [1892.3]



MODEL NO.	OVERALL FRAME WIDTH (A)	ROUGH OPENING (B)	CLEAR OPENING (C)	DOOR WIDTH (D)	BREAKOUT WIDTH (E)
AT MAX WIDTH	108" [2743.2]	108 1/2" [2755.9]	43 3/8" [1101.3]	54 3/4" [1390.7]	98.00" [2490.0]
WIDTH FORMULA	B - 1/2" A + [12.7]	A + 1/2" A + [12.7]	A/2-10 5/8" A/2-[270.3]	A/2 + 3/4" A/2 - [19.1]	A - 10" A - [254.0]
AT MAX HEIGHT	104" [2641.6]	104 1/4" [2648.0]	94" [2387.6]		
HEIGHT FORMULA	B - 1/4" B - [6.35]	A + 1/4" A + [6.35]	A - 10" A - [254.0]		

GLASS FORMULA: DFV /2 - 8 3/8 [212.7] X DFH -23 1/2 [596.9]

### NOTES:

#### STANDARD PACKAGE CONSISTS OF:

- STANDARD FINISH:
  - CLASS 1, .018MM, CLEAR-AA-M12C22A41
  - CLASS 1, .018MM, DARK BRONZE-AA-M12C22A44
- AUTOMATIC OPERATOR
- MEDIUM STILE RAILS
- THRESHOLD
- 3-POINT LOCK WITH LOCK INDICATOR
- 9/16" GLASS STOPS AND BLOCKS
- 1/4" HS - .090" DUPONT SENTRYGLAS PLUS® - 1/4" HS
- DRY GLAZED
- MOTION/PRESENCE SENSORS
- 5-POSITION KNOB SWITCH
- BALL CATCH
- DUAL CONCEALED SWEEPS IN SX & SO PANELS
- 7" BOTTOM RAILS

#### OPTIONS AVAILABLE:

- SPECIAL FINISHES
- PANIC EXIT DEVICE
- 1" IG O.A. LAMINATED GLASS
- 3/16" HS - .090" DUPONT SENTRYGLAS PLUS® - 3/16" HS - 3/8" AIR GAP - 3/16" FT
- 10" BOTTOM RAILS
- THRESHOLD LEAD-UP
- TRUE DIVIDED MUNTINS
- FALSE MUNTINS
- SEE SHEET OS-10 FOR ALL OTHER OPTIONS AND OPTION DETAILS

FOR MAXIMUM CURRENT DRAW, SEE PRODUCT SPECIFICATION, INSTALLATION INSTRUCTIONS, OR THE UL LABEL ON THE EQUIPMENT.

TEST PROTOCOLS: TAS 201, TAS 202 & TAS 203  
 FLORIDA PRODUCT APPROVAL # FL30356

REFER TO RELEVANT LOCAL, STATE, NATIONAL, OR AHJ BUILDING CODE FOR MIN DOOR HEIGHT & MIN/MAX WIDTH ALLOWABLE FOR EGRESS REQUIREMENT IN CONJUNCTION WITH TABLE.

### NOTE: PATENT PENDING

DWG NO.	1019908				
DRN BY	SJF	DATE	9/18/19	CHK BY	DATE
					REV. 2.0 DATE 10/17/19

DESIGN PRESSURE RATING	
WHERE WATER INFILTRATION REQUIREMENT IS NEEDED	WHERE WATER INFILTRATION REQUIREMENT IS NOT NEEDED
NOT APPROVED	+/- 85 PSF*

\*PSF RATINGS RANGE FROM 85-125 PSF DEPENDENT ON PACKAGE WIDTH AND HEIGHT. FOR SPECIFIC RATINGS, CONSULT PRODUCT APPROVALS OR PSF/SIZE CALCULATOR ON THE PRODUCT WEBSITE.

# ASSA ABLOY