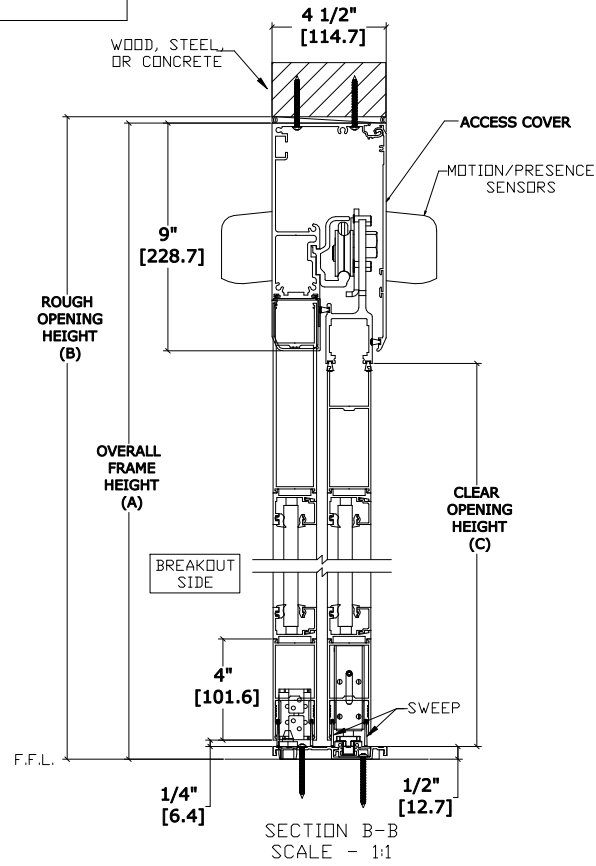
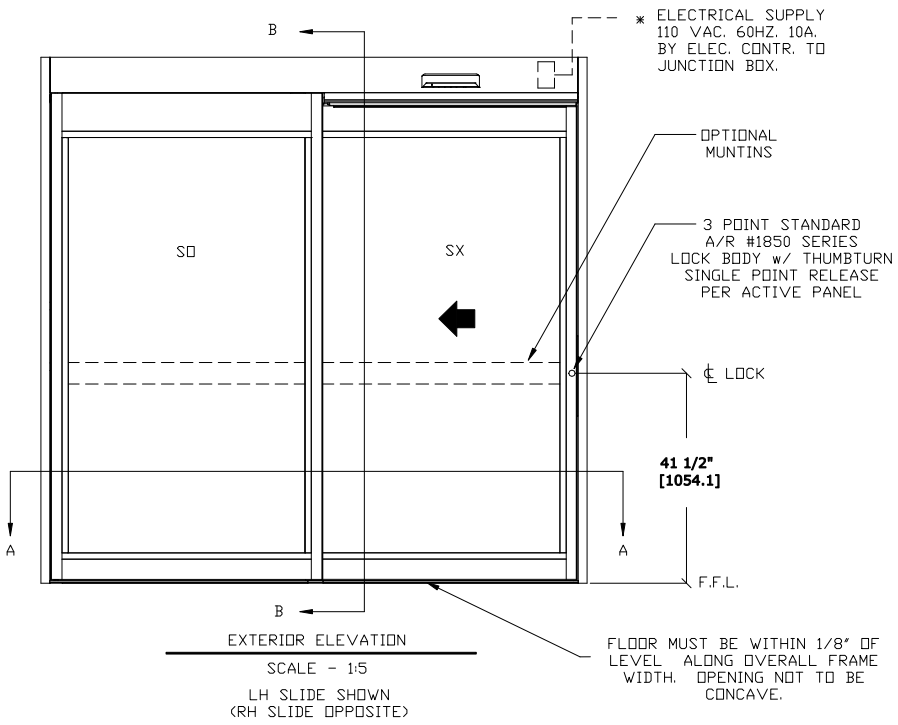


ASSA ABLOY

ASSA ABLOY ENTRANCE SYSTEMS
 1900 AIRPORT ROAD
 MONROE, NC 28110
 PHONE: 1-866-237-2687
 SPECDESK.NA.ENTRANCE@ASSAABLOY.COM

ASSA ABLOY SL500 Resilience R104
 Overhead Concealed, Narrow Stile, Full Breakout,
 Single Slide, Large & Small Missile Impact - Level E



MODEL NO.	OVERALL FRAME WIDTH (A)	ROUGH OPENING (B)	CLEAR OPENING (C)	DOOR WIDTH (D)	BREAKOUT WIDTH (E)
AT MAX WIDTH	108" [2743.2]	108 1/2" [2755.9]	46 1/8" [1171.6]	53 3/4" [1365.3]	98.00" [2490.0]
WIDTH FORMULA	B - 1/2" B - [12.7]	A + 1/2" A + [12.7]	A/2 - 7/8" A/2 - [22.2]	A/2 - 1/4" A - [6.35]	A - 10" A - [254.0]
AT MAX HEIGHT	104" [2641.6]	104 1/4" [2648.0]	94" [2387.6]		
HEIGHT FORMULA	B - 1/4" B - [6.35]	A + 1/4" A + [6.35]	A - 10" A - [254.0]		

GLASS FORMULA: DFV /2 - 5 5/8 [142.9] X DFH -20 1/2 [520.70]

- NOTES:**
- STANDARD PACKAGE CONSISTS OF:**
- STANDARD FINISH: CLASS 1, .018MM, CLEAR- AA-M12C22A41 CLASS 1, .018MM, DARK BRONZE- AA-M12C22A44
 - AUTOMATIC OPERATOR
 - NARROW STILE RAILS
 - THRESHOLD
 - 3-POINT LOCK WITH LOCK INDICATOR
 - 9/16" GLASS STOPS AND BLOCKS 1/4" HS - .180" DUPONT SENTRYGLAS PLUS® - 1/4" HS
 - DRY GLAZED
 - MOTION/PRESENCE SENSORS
 - 5-POSITION KNOB SWITCH
 - BALL CATCH
 - DUAL CONCEALED SWEEPS IN SX & SO PANELS
 - 4" BOTTOM RAILS

- OPTIONS AVAILABLE:**
- SPECIAL FINISHES
 - PANIC EXIT DEVICE
 - THRESHOLD LEAD-UP
 - TRUE DIVIDED MUNTINS
 - 7"/10" BOTTOM RAILS
 - SEE SHEET OS-10 FOR ALL OTHER OPTIONS AND OPTION DETAILS

FOR MAXIMUM CURRENT DRAW, SEE PRODUCT SPECIFICATION, INSTALLATION INSTRUCTIONS, OR THE UL LABEL ON THE EQUIPMENT.

TEST PROTOCOLS: TAS 201, TAS 202 & TAS 203
 FLORIDA PRODUCT APPROVAL # FL30356

REFER TO RELEVANT LOCAL, STATE, NATIONAL, OR AHJ BUILDING CODE FOR MIN DOOR HEIGHT & MIN/MAX WIDTH ALLOWABLE FOR EGRESS REQUIREMENT IN CONJUNCTION WITH TABLE.

NOTE: PATENT PENDING

DWG NO.	1019909				
DRN BY	DATE	CHK BY	DATE	REV.	DATE
SJF	9/18/19			2.0	10/17/19

ASSA ABLOY	

DESIGN PRESSURE RATING	
WHERE WATER INFILTRATION REQUIREMENT IS NEEDED	WHERE WATER INFILTRATION REQUIREMENT IS NOT NEEDED
NOT APPROVED	+/- 80 PSF

