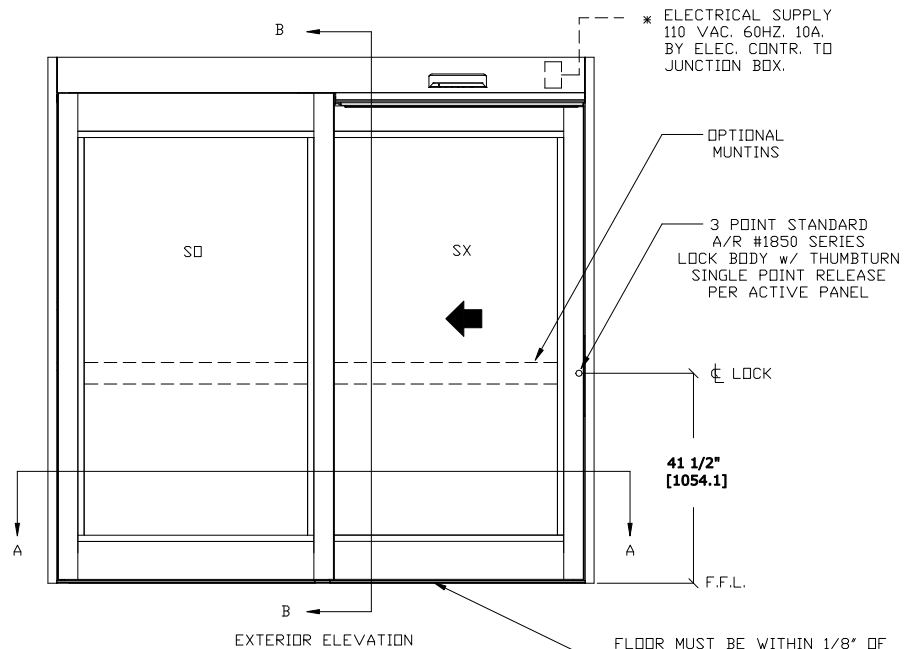


ASSA ABLOY

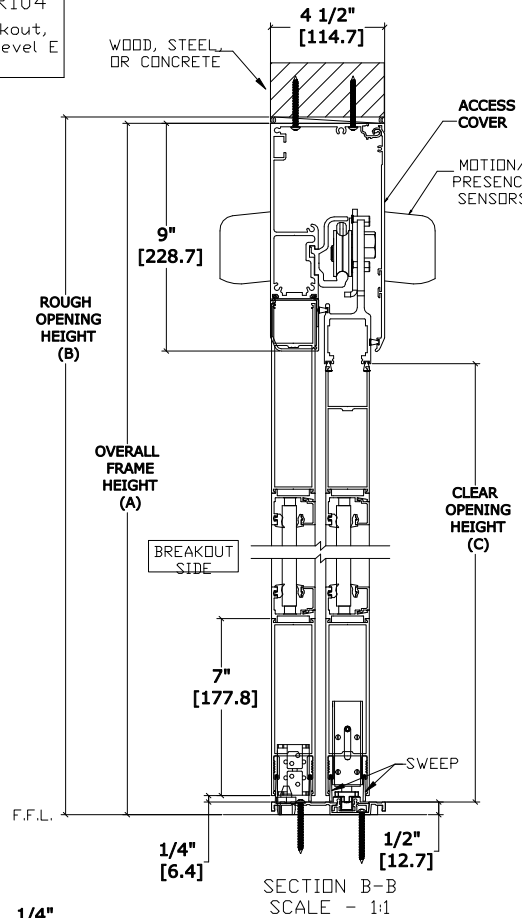
ASSA ABLOY ENTRANCE SYSTEMS
 1900 AIRPORT ROAD
 MONROE, NC 28110
 PHONE: 1-866-237-2687
 SPECDESK.NA.ENTRANCE@ASSAABLOY.COM

ASSA ABLOY SL500 Resilience R104

Overhead Concealed, Medium Stile, Full Breakout,
 Single Slide, Large & Small Missile Impact - Level E



FLOOR MUST BE WITHIN 1/8" OF
 LEVEL ALONG OVERALL FRAME
 WIDTH. OPENING NOT TO BE
 CONCAVE.



MODEL NO.	OVERALL FRAME WIDTH (A)	ROUGH OPENING (B)	CLEAR OPENING (C)	DOOR WIDTH (D)	BREAKOUT WIDTH (E)
AT MAX WIDTH	108" [2743.2]	108 1/2" [2755.9]	43 3/8" [1101.3]	54 3/4" [1390.7]	98.00" [2490.0]
WIDTH FORMULA	B - 1/2" A + [12.7]	A + 1/2" A + [12.7]	A/2 - 10 5/8" A/2 - [270.3]	A/2 + 3/4" A/2 + [19.1]	A - 10" A - [254.0]
AT MAX HEIGHT	104" [2641.6]	104 1/4" [2648.0]	94" [2387.6]		
HEIGHT FORMULA	B - 1/4" A + [6.35]	A + 1/4" A + [6.35]	A - 10" A - [254.0]		

GLASS FORMULA: DFV /2 - 8 3/8 [212.7] X DFH -23 1/2 [596.9]

NOTES:

STANDARD PACKAGE CONSISTS OF:

- STANDARD FINISH:
 CLASS 1, .018MM, CLEAR- AA-M12C22A41
 CLASS 1, .018MM, DARK BRONZE- AA-M12C22A44
- AUTOMATIC OPERATOR
- MEDIUM STILE RAILS
- THRESHOLD
- 3-POINT LOCK WITH LOCK INDICATOR
- 9/16" GLASS STOPS AND BLOCKS
 1/4" HS - .180" DUPONT SENTRYGLAS PLUS® - 1/4" HS
- DRY GLAZED
- MOTION/PRESENCE SENSORS
- 5-POSITION KNOB SWITCH
- BALL CATCH
- DUAL CONCEALED SWEEPS IN SX & SO PANELS
- 7" BOTTOM RAILS

OPTIONS AVAILABLE:

- SPECIAL FINISHES
- PANIC EXIT DEVICE
- THRESHOLD LEAD-UP
- TRUE DIVIDED MUNTINS
- 10" BOTTOM RAILS
- SEE SHEET OS-10 FOR ALL OTHER OPTIONS AND OPTION DETAILS

FOR MAXIMUM CURRENT DRAW, SEE PRODUCT SPECIFICATION,
 INSTALLATION INSTRUCTIONS, OR THE UL LABEL ON THE EQUIPMENT.

TEST PROTOCOLS: TAS 201, TAS 202 & TAS 203
 FLORIDA PRODUCT APPROVAL # FL30356

REFER TO RELEVANT (LOCAL, STATE, NATIONAL, OR
 AHJ) BUILDING CODE FOR MIN DOOR HEIGHT &
 MIN/MAX WIDTH ALLOWABLE FOR EGRESS
 REQUIREMENT IN CONJUNCTION WITH TABLE.

NOTE: PATENT PENDING

DWG NO.	1019910
DRN BY	SJF
DATE	9/18/19
CHK BY	
DATE	
REV. 2.0	DATE 10/17/19

DESIGN PRESSURE RATING	
WHERE WATER INFILTRATION REQUIREMENT IS NEEDED	WHERE WATER INFILTRATION REQUIREMENT IS NOT NEEDED
NOT APPROVED	+/- 80 PSF

ASSA ABLOY

OPTIONAL FACTORY PREP
 FOR SWITCH LOCATION @
 74-1/2"H [1892.3]

