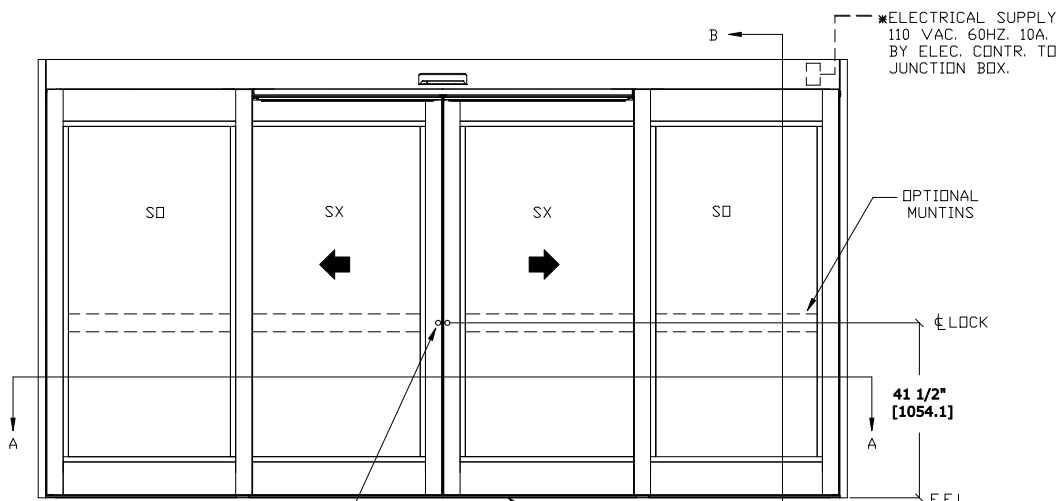


# ASSA ABLOY

ASSA ABLOY ENTRANCE SYSTEMS  
 1900 AIRPORT ROAD  
 MONROE, NC 28110  
 PHONE: 1-866-237-2687  
 SPECDESK.NA.ENTRANCE@ASSAABLOY.COM

## ASSA ABLOY SL500 Resilience R104

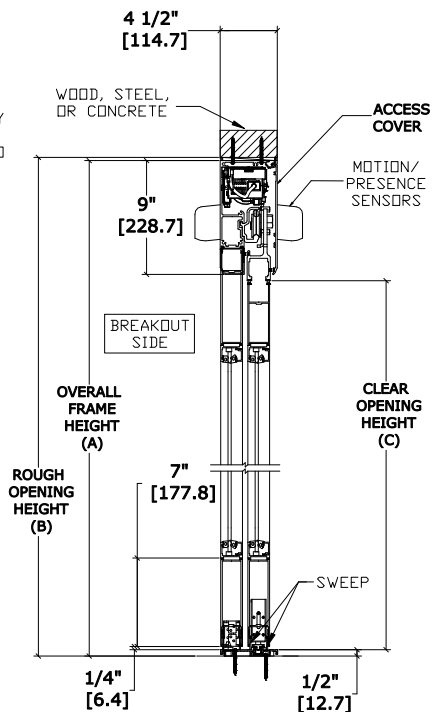
Overhead Concealed, Medium Stile, Full Breakout, Bi-Part, Non-Impact



2 POINT STANDARD  
 A/R #1870 SERIES  
 LOCK BODY w/ THUMBTURN  
 SINGLE POINT RELEASE  
 PER ACTIVE PANEL

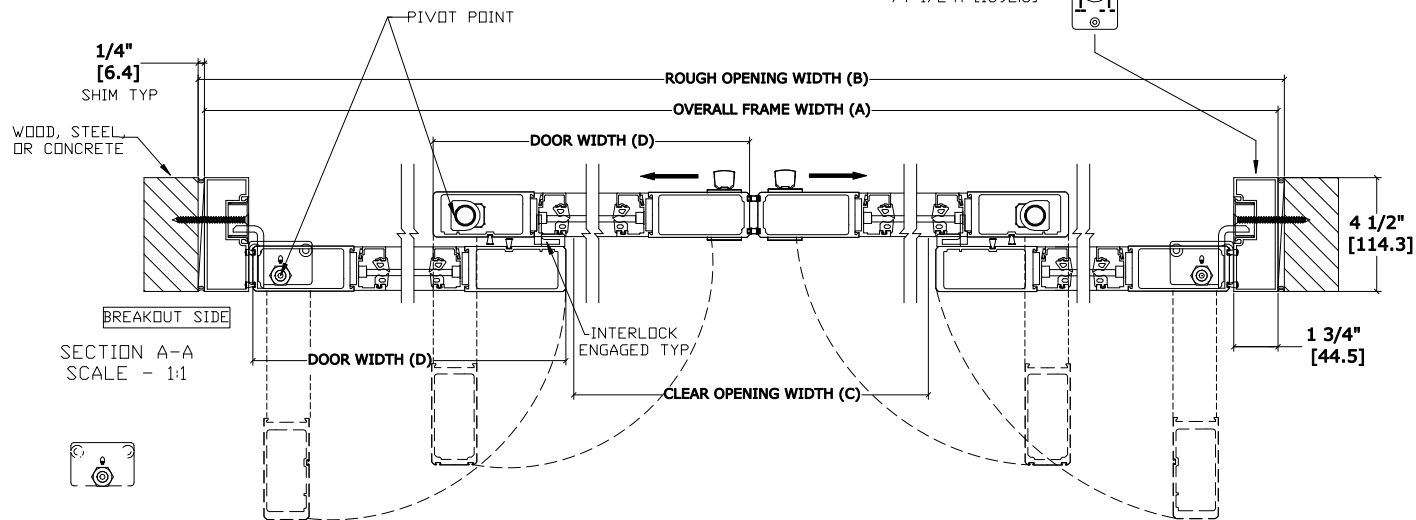
EXTERIOR ELEVATION  
 SCALE - 1:6

FLOOR MUST BE WITHIN 1/8" OF  
 LEVEL ALONG OVERALL FRAME  
 WIDTH. OPENING NOT TO BE  
 CONCAVE.



SECTION B-B  
 SCALE - 1:2

OPTIONAL FACTORY PREP  
 FOR SWITCH LOCATION @  
 74-1/2"H [1892.3]



SECTION A-A  
 SCALE - 1:1

	OVERALL FRAME WIDTH (A)	ROUGH OPENING (B)	CLEAR OPENING (C)	DOOR WIDTH (D)	BREAKOUT WIDTH (E)
AT MAX WIDTH	192" [4876.8]	192 1/2" [4889.5]	76 1/2" [1943.1]	49 5/8" [1260.5]	175 9/16" [4459.3]
WIDTH FORMULA	B - 1/2" A + [12.7]	A + 1/2" A + [12.7]	A/2-19 1/2" A/2-[495.3]	A/4 + 1 5/8" A/4 + [41.3]	A - 16 7/16" A - [417.5]
AT MAX HEIGHT	104" [2641.6]	104 1/4" [2648.0]	94" [2387.6]		
HEIGHT FORMULA	B - 1/4" B - [6.35]	A + 1/4" A + [6.35]	A - 10" A - [254.0]		

GLASS FORMULA: DFV /4 - 7 1/2 [190.5] X DFH -23 1/2 [596.9]

### NOTES:

STANDARD PACKAGE CONSISTS OF:

- STANDARD FINISH:  
 CLASS 1, .018MM, CLEAR- AA-M12C22A41  
 CLASS 1, .018MM, DARK BRONZE- AA-M12C22A44
- AUTOMATIC OPERATOR
- MEDIUM STILE RAILS
- THRESHOLD
- 2-POINT LOCK WITH LOCK INDICATOR
- 1/4" [6mm] TEMPERED GLASS
- DRY GLAZED
- MOTION/PRESENCE SENSORS
- 5-POSITION KNOB SWITCH
- BALL CATCH
- DUAL CONCEALED SWEEPS IN SX & SO PANELS
- 7" BOTTOM RAILS

### OPTIONS AVAILABLE:

- SPECIAL FINISHES
- PANIC EXIT DEVICE
- THRESHOLD LEAD-UP
- TRUE DIVIDED MUNTINS
- 10" BOTTOM RAILS
- SEE SHEET OS-10 FOR ALL OTHER OPTIONS AND OPTION DETAILS

FOR MAXIMUM CURRENT DRAW, SEE PRODUCT SPECIFICATION, INSTALLATION INSTRUCTIONS, OR THE UL LABEL ON THE EQUIPMENT.

TEST PROTOCOLS: TAS 201, TAS 202 & TAS 203  
 FLORIDA PRODUCT APPROVAL # FL30356

REFER TO RELEVANT [LOCAL, STATE, NATIONAL, OR AHJ] BUILDING CODE FOR MIN DOOR HEIGHT & MIN/MAX WIDTH ALLOWABLE FOR EGRESS REQUIREMENT IN CONJUNCTION WITH TABLE.

DESIGN PRESSURE RATING	
WHERE WATER INFILTRATION REQUIREMENT IS NEEDED	WHERE WATER INFILTRATION REQUIREMENT IS NOT NEEDED
NOT APPROVED	+/- 70 PSF*

\*PSF RATINGS RANGE FROM 70-115 PSF DEPENDENT ON PACKAGE WIDTH AND HEIGHT. FOR SPECIFIC RATINGS, CONSULT PRODUCT APPROVALS OR PSF/SIZE CALCULATOR ON THE PRODUCT WEBSITE.

NOTE: PATENT PENDING

DWG NO. 1019912	DATE 9/18/19	CHK BY	DATE	REV 2.0	DATE 10/17/19
-----------------	--------------	--------	------	---------	---------------

# ASSA ABLOY