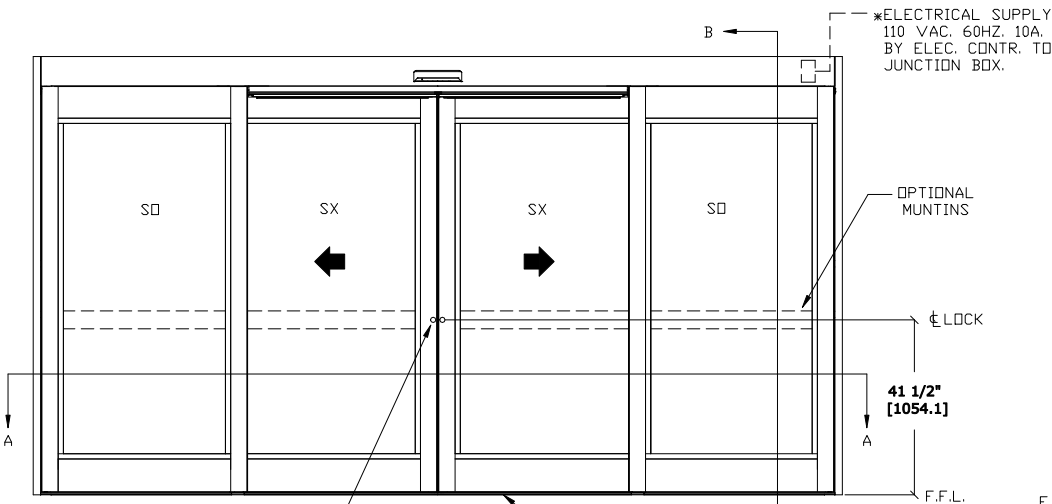




ASSA ABLOY ENTRANCE SYSTEMS
 1900 AIRPORT ROAD
 MONROE, NC 28110
 PHONE: 1-866-237-2687
 SPECDESK.NA.ENTRANCE@ASSAABLOY.COM

ASSA ABLOY SL500 Resilience R104

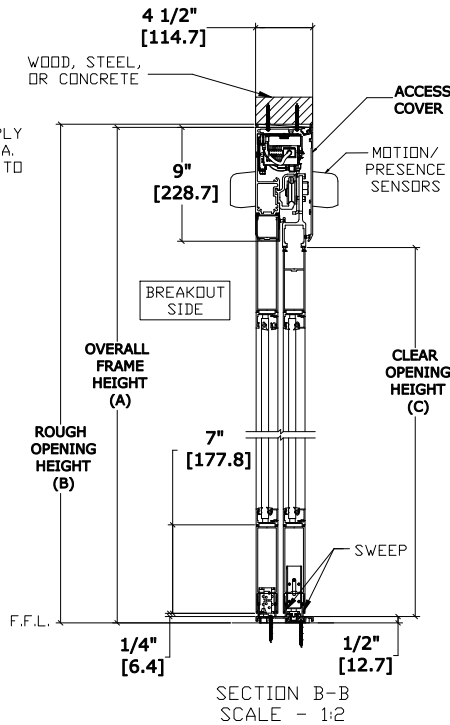
Overhead Concealed, Medium Stile, Full Breakout,
 Bi-Part, Large & Small Missile Impact - Level E



2 POINT STANDARD A/R #1870 SERIES LOCK BODY w/ THUMBTURN SINGLE POINT RELEASE PER ACTIVE PANEL

EXTERIOR ELEVATION
 SCALE - 1:6

FLOOR MUST BE WITHIN 1/8" OF LEVEL ALONG OVERALL FRAME WIDTH. OPENING NOT TO BE CONCAVE.



	OVERALL FRAME WIDTH (A)	ROUGH OPENING (B)	CLEAR OPENING (C)	DOOR WIDTH (D)	BREAKOUT WIDTH (E)
AT MAX WIDTH	192" [4876.8]	192 1/2" [4889.5]	76 1/2" [1943.1]	49 5/8" [1260.5]	175 9/16" [4459.3]
WIDTH FORMULA	B - 1/2" B - [12.7]	A + 1/2" A + [12.7]	A/2-19 1/2" A/2-[495.3]	A/4+1 5/8" A/4+[41.3]	A-16 7/16" A-[417.5]
AT MAX HEIGHT	104" [2641.6]	104 1/4" [2648.0]	94" [2387.6]		
HEIGHT FORMULA	B - 1/4" B - [6.35]	A + 1/4" A + [6.35]	A - 10" A - [254.0]		

GLASS FORMULA: DFV /4 - 7 1/2 [190.5] X DFH -23 1/2 [596.9]

NOTES:

STANDARD PACKAGE CONSISTS OF:

- STANDARD FINISH:
- CLASS 1, .018MM, CLEAR- AA-M12C22A41
- CLASS 1, .018MM, DARK BRONZE- AA-M12C22A44
- AUTOMATIC OPERATOR
- MEDIUM STILE RAILS
- THRESHOLD
- 2-POINT LOCK WITH LOCK INDICATOR
- 9/16" GLASS STOPS AND BLOCKS
- 1/4" HS - .180" DUPONT SENTRYGLAS PLUS® - 1/4" HS
- DRY GLAZED
- MOTION/PRESENCE SENSORS
- 5-POSITION KNOB SWITCH
- BALL CATCH
- DUAL CONCEALED SWEEPS IN SX & SO PANELS
- 7" BOTTOM RAILS

OPTIONS AVAILABLE:

- SPECIAL FINISHES
- PANIC EXIT DEVICE
- THRESHOLD LEAD-UP
- TRUE DIVIDED MUNTINS
- 10" BOTTOM RAILS
- SEE SHEET OS-10 FOR ALL OTHER OPTIONS AND OPTION DETAILS

FOR MAXIMUM CURRENT DRAW, SEE PRODUCT SPECIFICATION, INSTALLATION INSTRUCTIONS, OR THE UL LABEL ON THE EQUIPMENT.

TEST PROTOCOLS: TAS 201, TAS 202 & TAS 203
 FLORIDA PRODUCT APPROVAL # FL30356

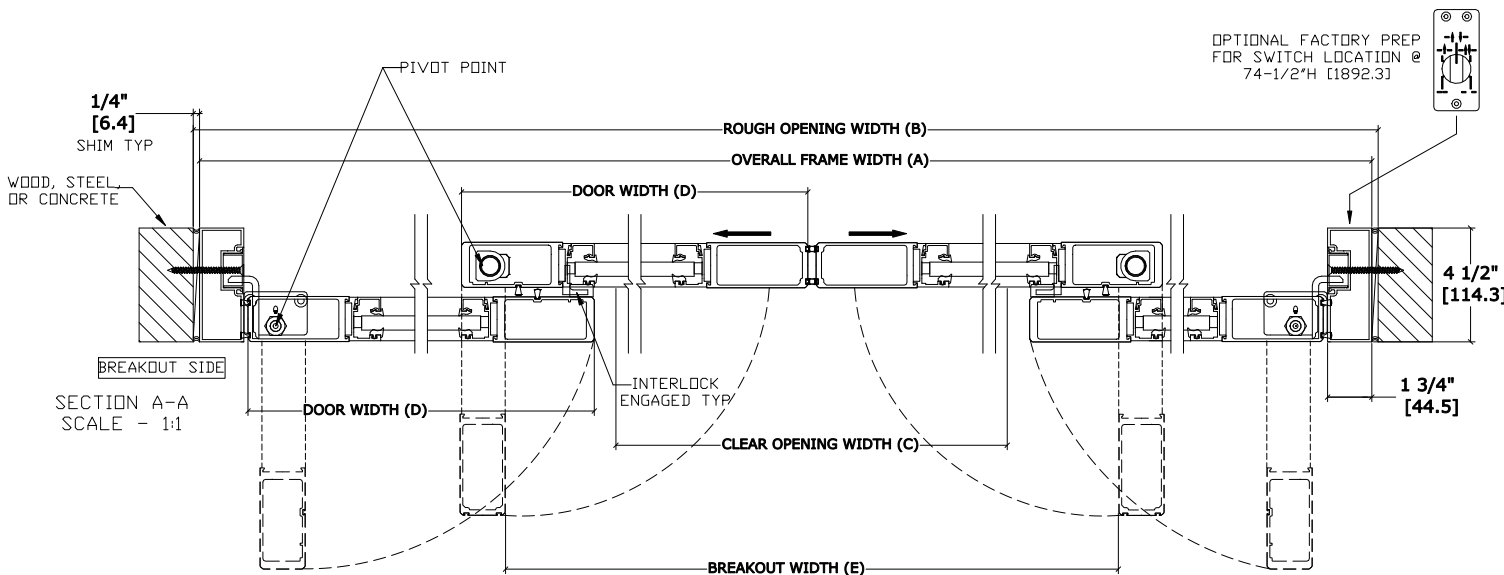
REFER TO RELEVANT [LOCAL, STATE, NATIONAL, OR AHJ] BUILDING CODE FOR MIN DOOR HEIGHT & MIN/MAX WIDTH ALLOWABLE FOR EGRESS REQUIREMENT IN CONJUNCTION WITH TABLE.

DESIGN PRESSURE RATING	
WHERE WATER INFILTRATION REQUIREMENT IS NEEDED	WHERE WATER INFILTRATION REQUIREMENT IS NOT NEEDED
NOT APPROVED	+/- 80 PSF

NOTE: PATENT PENDING

DWG NO. 1019916	DATE 9/18/19	CHK BY	DATE	REV. 2.0	DATE 10/17/19
DRN BY SJF					

ASSA ABLOY



OPTIONAL FACTORY PREP FOR SWITCH LOCATION @ 74-1/2"H [1892.3]

