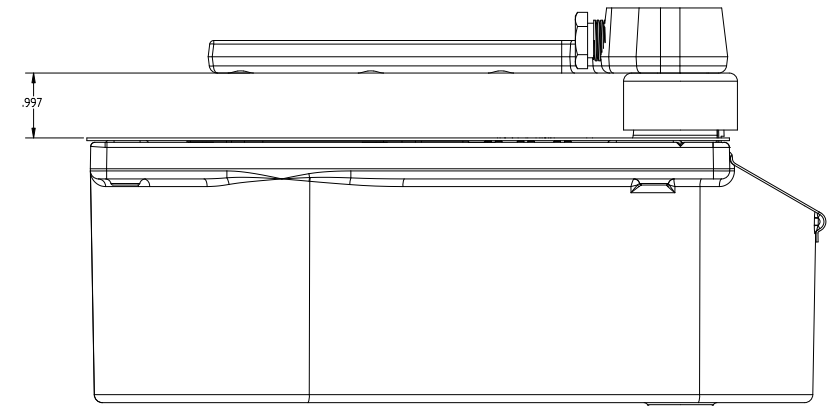
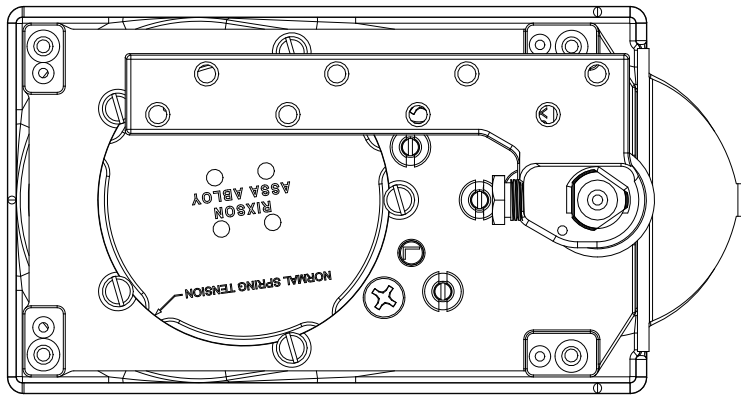


L27 FLOOR CLOSER LEFT HAND  
SHOWN WITH CEMENT CASE



NOTICE TO PERSONS RECEIVING THIS DRAWING: ASSA ABLOY TECHNICAL INFORMATION ASSA ABLOY reserves all rights in the material disclosed. This drawing and technical information is issued in confidence for engineering information only and may not be reproduced or used to manufacture anything except or reference to herein without direct written permission from the user. This drawing, design, technical information is the property of and is issued for initial assistance to be returned when the service has been served.	UNLESS OTHERWISE SPECIFIED TELEMETRY SIZE: 1/8" UNLESS OTHERWISE SPECIFIED FINISH: 1/8" SURFACE FINISH: 6/32"	DRAWING COMPLETES WITH ADRS 913M - 2004 SIZE: 1/8" UNLESS OTHERWISE SPECIFIED TOLERANCE: 1/8" SURFACE FINISH: 6/32"	MATERIAL: HEAT TREATMENT: DATE CREATED: DRAWN BY: DESIGNED BY: SCALE: 1:1 SHEET: 1 REV: 1
	ASSA ABLOY CORPORATION L27 LH CLOSED	LEADY ID	SHEET 1 OF 1