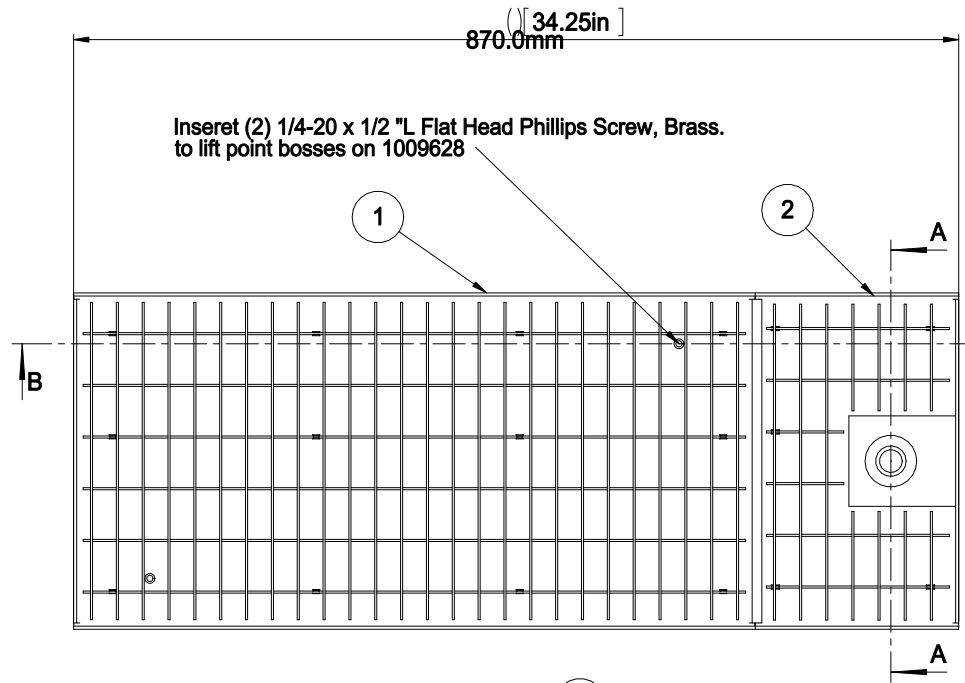
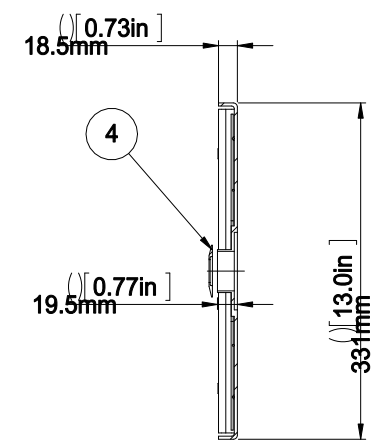


No.	Change	CM-No.	Done	Date
1.0	LOGO CHANGED		SS	
2.0	ADDED 12.5mm DIM to Detail C	17-634	MW	

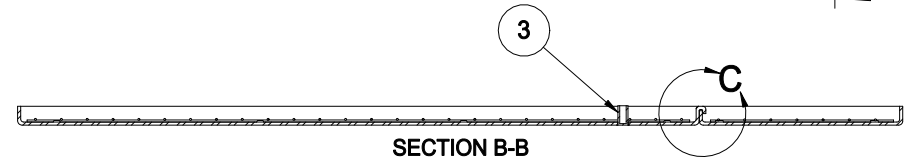


Insert (2) 1/4-20 x 1/2 "L Flat Head Phillips Screw, Brass.  
to lift point bosses on 1009628

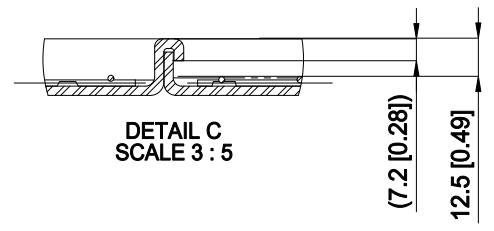


SECTION A-A

NOTE:  
1: PROVIDED AS KIT WITH INDICATED HARDWARE & LOOSE ITEM 4  
2: SEE DETAIL PRINTS FOR MATERIAL REQUIREMENT



SECTION B-B



DETAIL C  
SCALE 3 : 5

4	1	pcs.	Escutcheon, Safety SW200i	1010096	SHIPPED LOOSE WITH KIT		
3	2			-	PEM Blind Insert # CSOS-0420-12 or Equivalent		
2	1	pcs.	Terrazzo Pan, Output End SW200i	1009662			
1	1	pcs.	Terrazzo Pan, Large SW200i	1009628			
Pos.	Qty.	Unit	Description	Art.no.	Remark		
Surface treatment				Material		Remark	
				Assembly			
General tolerance			Proj. method	Scale	Drawn	Date	Status
ISO 2768				1:5	BNCMVE		Draft
- C			Description				Rev.
ASSA ABLOY			Terrazzo Pan Assembly				2.0
ASSA ABLOY Entrance Systems AB			ASSA ABLOY SW200i-IG				Size
							A3
							Sheet
							1 (1)
							Drawing No.
							1009730

© All rights in and to this material are the sole property of ASSA ABLOY Entrance Systems AB. Copying, scanning, alterations or modifications are expressly forbidden without the prior written consent of ASSA ABLOY Entrance Systems AB.

All rights in and to this material are the sole property of ASSA ABLOY Entrance Systems AB. Copying, scanning, alterations or modifications are expressly forbidden without the prior written consent of ASSA ABLOY Entrance Systems AB.