

ASSA ABLOY

ASSA ABLOY Entrance Systems
1900 Airport Road
Monroe, NC 28110
Phone: 1-866-237-2687
specdesk.na.besam@assaabloy.com

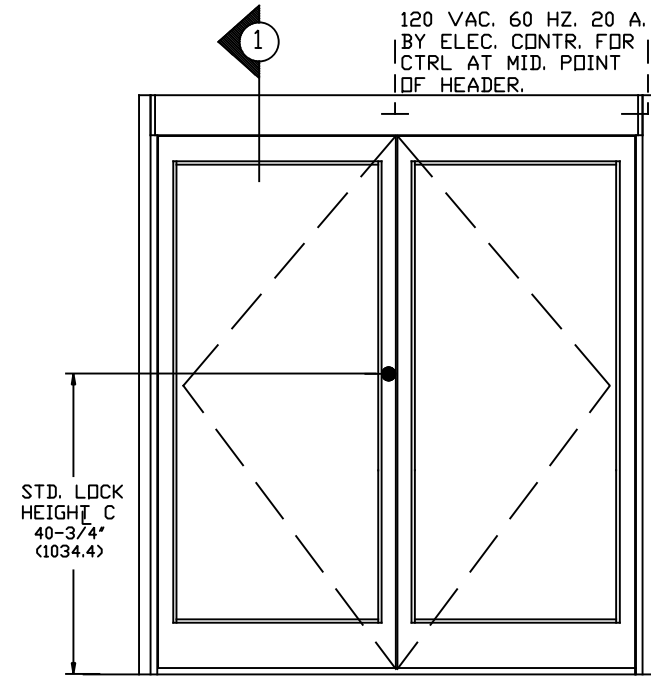
**BESAM SW200i-BL WITH DOORS
SINGLE/DUAL OHC
BOTTOM LOAD HEADER**

NOTE:

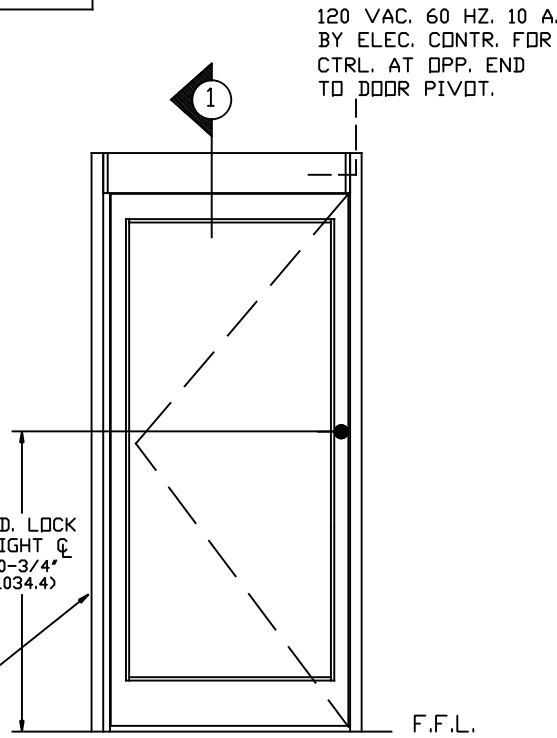
PACKAGE INCLUDES AUTOMATIC OPERATOR, CONTROLLER, CONCEALED ARM, ALUMINUM DOOR PACKAGE AND SENSOR SYSTEM PER YOUR SELECTION. SEE I-ADAPT DRAWINGS 1010265 AND 1010266 FOR DETAILS ON SENSOR SYSTEM.
* & ** CONSULT FACTORY
* UNDER 74" (1880) & OVER 98" (2489)
** UNDER 37" (940) & OVER 49" (1245)

NET CLEAR DOOR OPENINGS FOR 36" & 42" DOORS IN THE OPEN POSITION ARE 32-1/8" & 38-1/8" RESPECTIVELY (OR BY FORMULA: DOOR SIZE-3.87")
NOTE: EGRESS CLEARANCES MAY BE COMPROMISED BY EXTRA OR ADDITIONAL SURFACE MOUNTED HARDWARE.

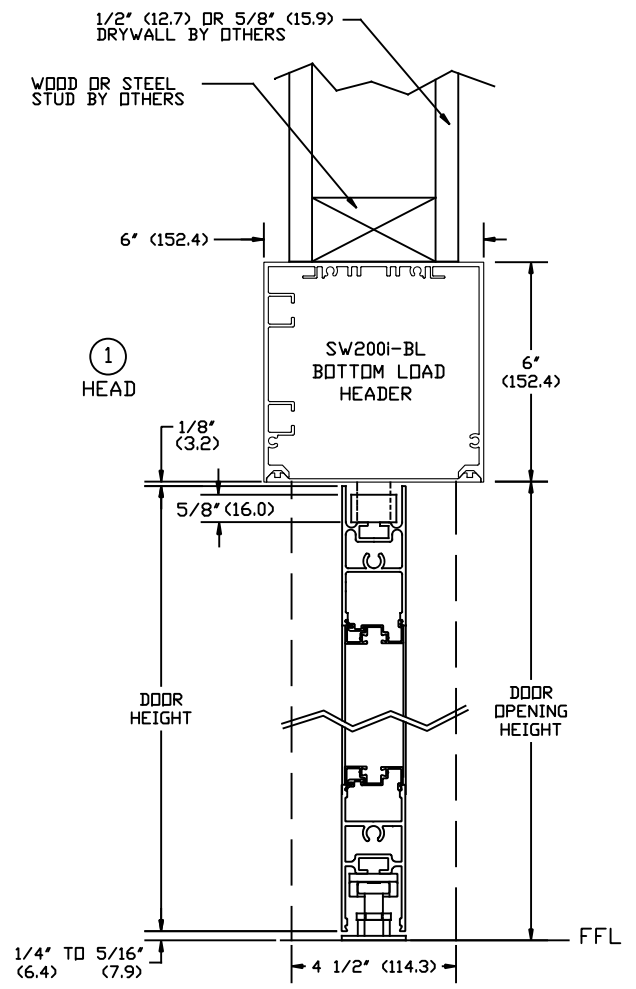
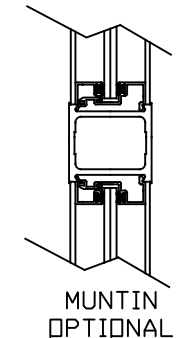
STANDARD FINISH:
CLEAR - AA-M12C22A41, CLASS 1, .018 MM.
DARK BRONZE - AA-M12C22A44, CLASS 1, .018 MM.
SPECIAL FINISHES ARE AVAILABLE
NOTE: DRAWING IS DIMENSIONED IN BOTH ENGLISH AND METRIC. REF. AS FOLLOWS: 1" (25.4). ALL METRIC SIZES ARE IN MILLIMETERS.



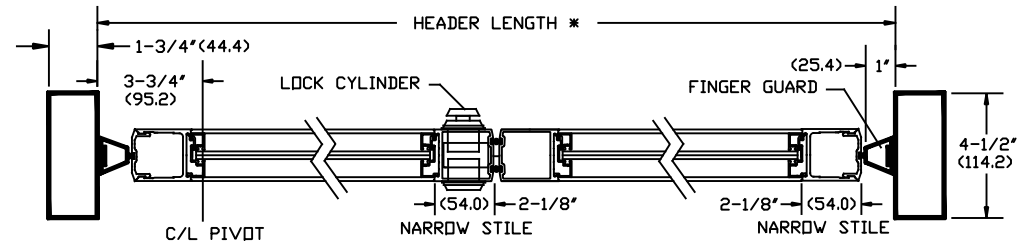
EXTERIOR ELEVATION
SW200i SERIES- DUAL



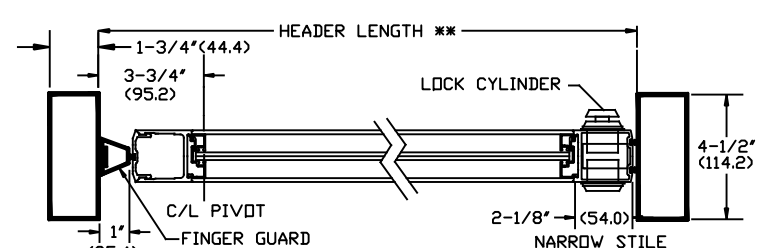
EXTERIOR ELEVATION
(L.H. SHOWN/R.H. OPPOSITE)
SW200i SERIES- SINGLE



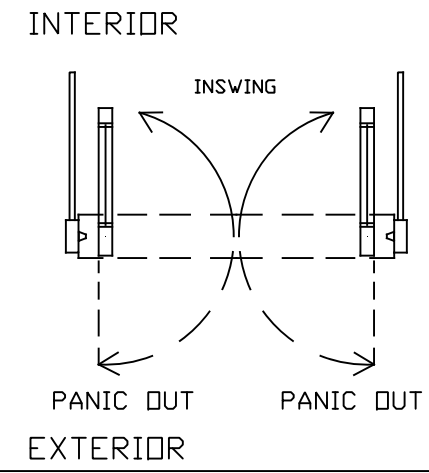
SW200i SERIES



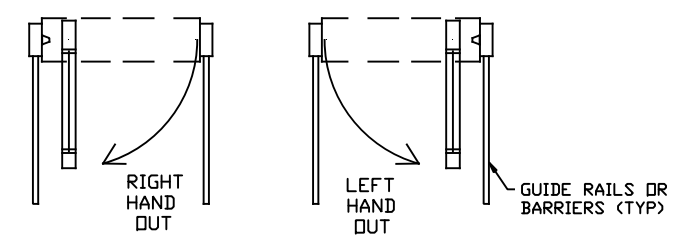
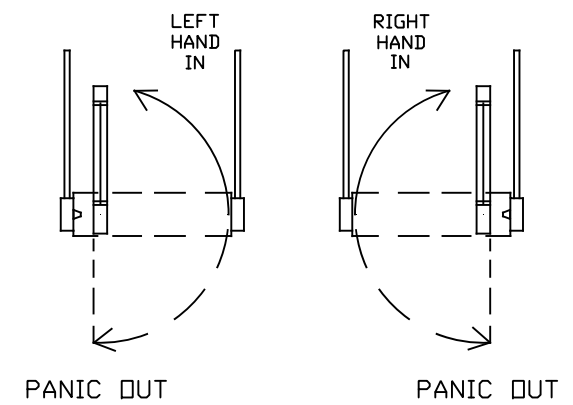
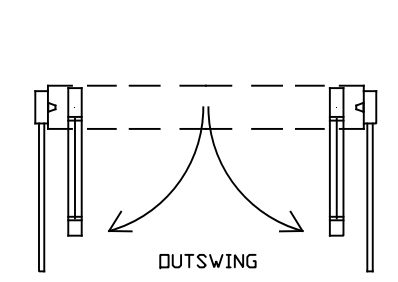
EXTERIOR



EXTERIOR



EXTERIOR



NOTE: #
GUIDE RAILS (SHOWN) ARE REQUIRED ON THE SWINGPATH SIDE OF POWER OPERATED PEDESTRIAN DOORS (ANSI 156.10) BUT NOT ON LOW ENERGY POWER OPERATED DOORS (ANSI 156.19).

DWG NO.	1010759
DRN BY	SS
DATE	4/22/13
CHK BY	JAW
DATE	4/22/13
REV	2.0
DATE	3/29/16

ASSA ABLOY