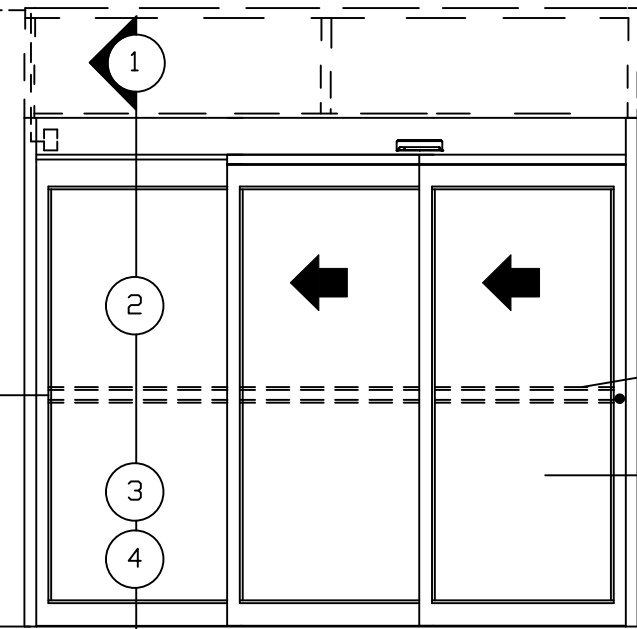
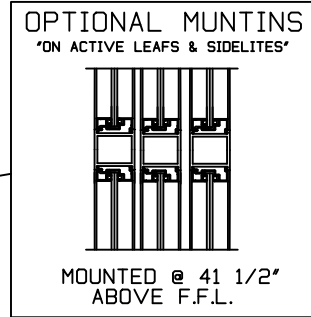


ELECTRICAL SUPPLY
110 VAC. 60 HZ. 10A.
BY ELEC. CONTR. TO
JUNCTION BOX.



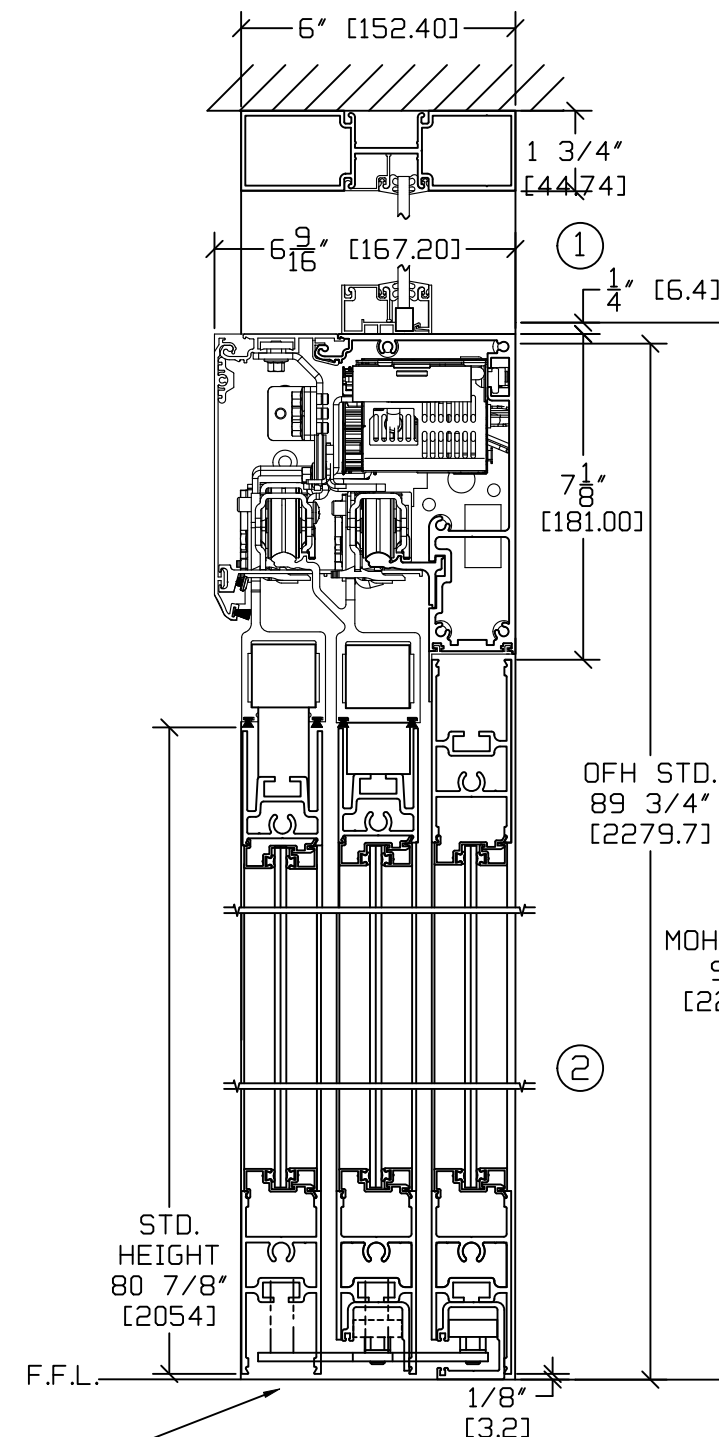
TRANSOM FRAMING
OPTIONAL



NOTE: THE STANDARD PACKAGE CONSISTS OF:
THE AUTOMATIC OPERATOR & WEATHERSTRIP, FRAMES,
DOORS & SIDELITES WITH VERTICAL WEATHERSTRIP,
EMERGENCY BREAKAWAY, 1-POINT LOCK, OPTIONAL
POSITION SWITCHES (DIGITAL (3 OR 5) OR KEY (5)), (OFF-EXIT
ONLY-AUTO-REDUCED OPENING-HOLD OPEN OR OFF, AUTO, HOLD
OPEN) AND MOTION/PRESENCE SENSORS.
STANDARD FINISH: CLEAR- AA-M12C22A41, CLASS 1, .018 MM.
DARK BRONZE- AA-M12C22A44, CLASS 1, .018 MM.
SPECIAL FINISHES ARE AVAILABLE.

THIS PACKAGE WILL ACCEPT UP TO 1"(25.4) INSULATED GLASS.
NOTE DRAWING IS DIMENSIONED IN BOTH ENGLISH AND METRIC
REF. AS FOLLOWS 1" (25.4) ALL METRIC SIZES ARE MILLIMETERS.

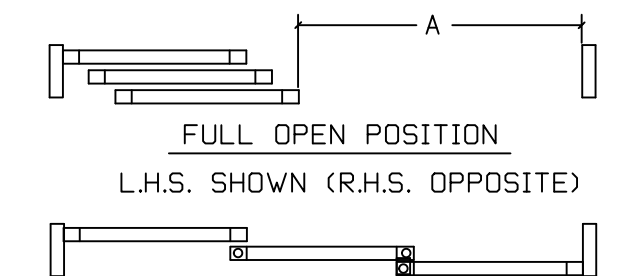
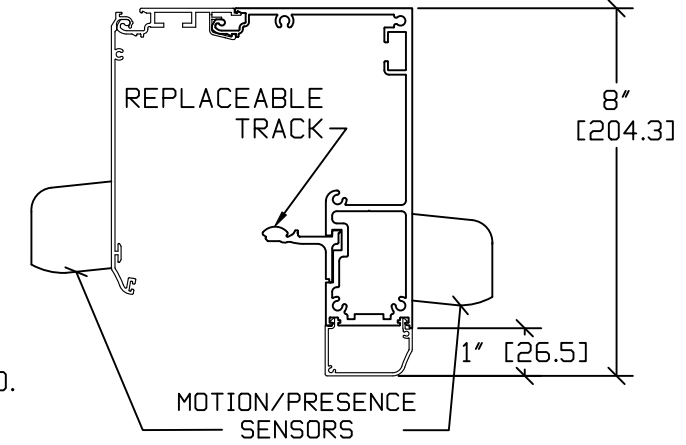
FOR MAXIMUM CURRENT DRAW PER OPERATOR, SEE PRODUCT
SPECIFICATION, INSTALLATION INSTRUCTIONS, OR THE UL
LABEL ON THE EQUIPMENT.
REFER TO RELEVANT (LOCAL, STATE, NATIONAL OR AHJ) BUILDING
CODE FOR MIN DOOR HEIGHT & MIN/MAX WIDTH ALLOWABLE
FOR EGRESS REQUIREMENT IN CONJUNCTION WITH TABLE BELOW.



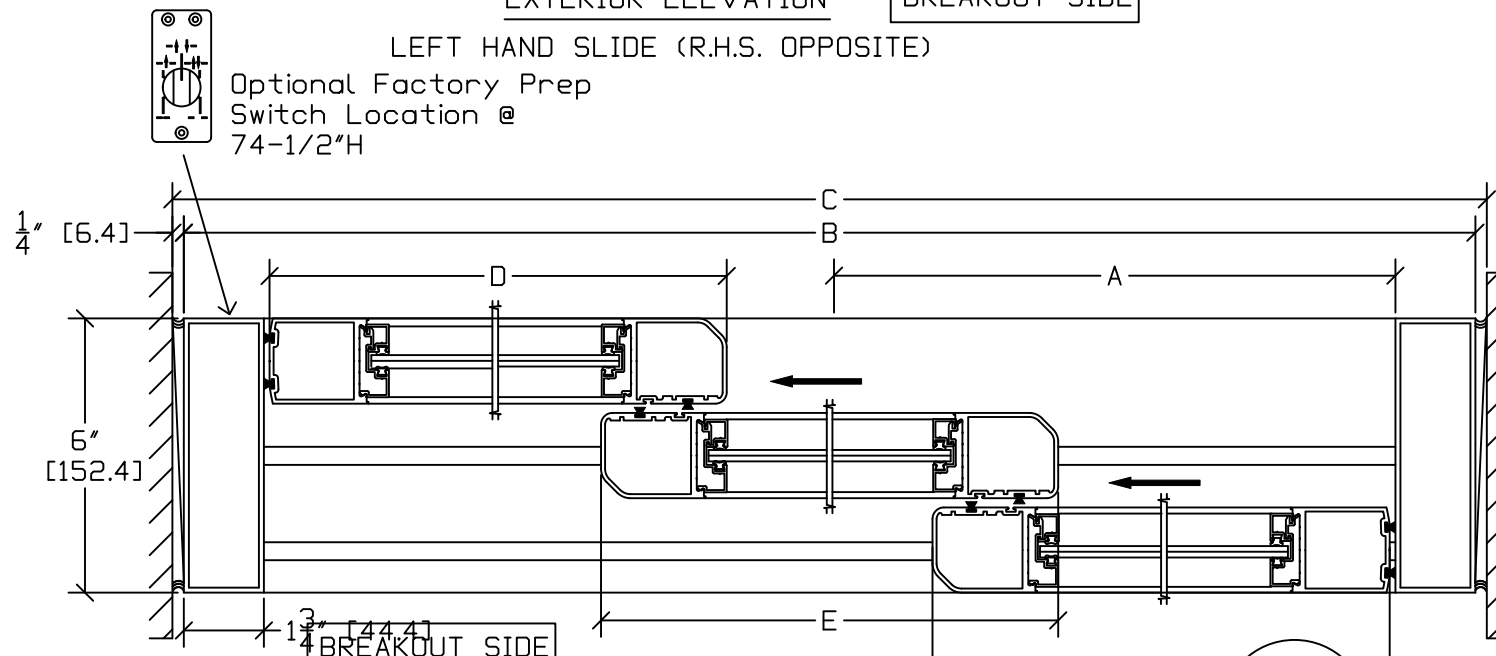
OFH STD.
89 3/4"
[2279.7]

MOH STD.
90"
[2286]

STD.
HEIGHT
80 7/8"
[2054]



VIEW FROM BREAKOUT SIDE
L.H.S. SHOWN (R.H.S. OPPOSITE)



1/4" [6.4]

6" [152.4]

1 3/4" [44.4]

5 JAMB

FINISHED FLOOR
MUST NOT BE
CONCAVE ACROSS
THE CLEAR
DOOR OPENING
AND NOT OUT
OF LEVEL MORE
THAN 1/4" (TYP)

FINISHED FLOOR
MUST NOT BE AN
INCREASE IN
ELEVATION
THROUGH
BREAKOUT DOOR(S)
PATH

STD. GLASS SIZE KEY*	WIDTH - "D" & "D"	(B/3)-4 1/4" (B/3)-(107.95)
	WIDTH- "E"	(B/3)-4 3/8" (B/3)-(111.13)
	HEIGHT	OFH-15 7/8" OFH-(403.2)

SL500 OHC	DOOR OPENING A	OVERALL FRAME WIDTH B	MASONRY OPENING WIDTH C	ACTIVE & SIDELITE LEAF WIDTH D & E
9'	60 7/16" (1535.1)	108" (2743.2)	108 1/2" (2755.9)	36 9/16" (928.7)
10'	68 7/16" (1738.3)	120" (3048)	120 1/2" (3060.7)	40 9/16" (1030.3)
11'	76 7/16" (1941.5)	132" (3352.8)	132 1/2" (3365.5)	44 9/16" (1131.9)
12'	84 7/16" (2144.7)	144" (3657.6)	144 1/2" (3670.3)	48 9/16" (1233.5)
KEY	(2B/3)-11 9/16 (2B/3)-(293.7)	(C-1/2") (C-12.7)	(B+1/2") (B+12.7)	(B/3)+9/16" (B/3)+(14.3)

CONSULT FACTORY FOR SMALLER SIZES

* NARROW STILE RAILS w/ 1/4" GUTTER, NO MUTTINS

3 SILL SURFACE MOUNTED

4 SILL THRESHOLD OPTIONAL

1/2" [12.7]

DWG NO. 1010832	DRN BY CLW	DATE 6/4/13	CHK BY SS	DATE 6/4/13	REV. 4.0	DATE 01/18/22
-----------------	------------	-------------	-----------	-------------	----------	---------------