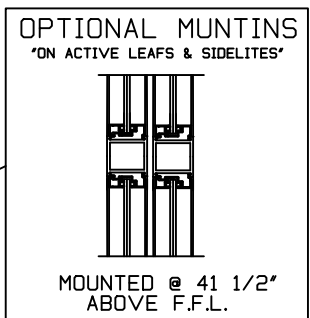
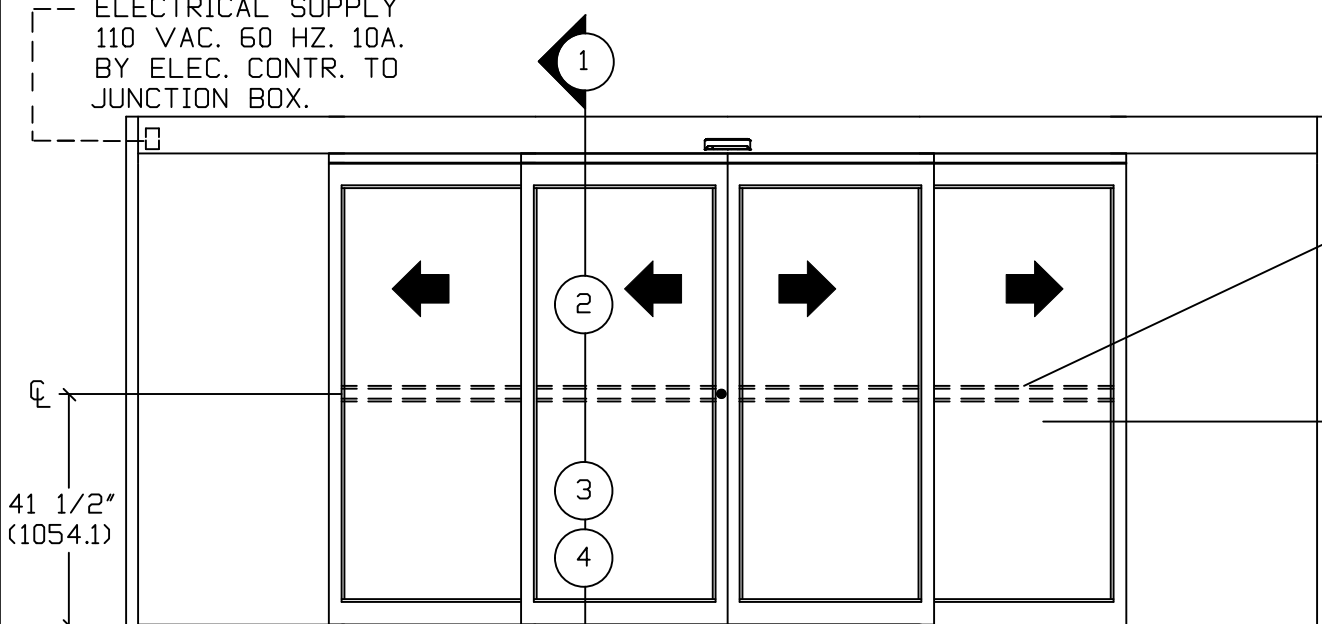


NOTE: THE STANDARD PACKAGE CONSISTS OF:  
THE AUTOMATIC OPERATOR & WEATHERSTRIP, FRAMES,  
DOORS WITH VERTICAL WEATHERSTRIP,  
EMERGENCY BREAKAWAY, 1-POINT LOCK, OPTIONAL POSITION  
SWITCHES (DIGITAL (3 OR 5) OR KEY (5)), (OFF-EXIT  
ONLY-AUTO-REDUCED OPENING-HOLD OPEN OR OFF, AUTO, HOLD  
OPEN) MOTION/PRESENCE SENSORS.  
STANDARD FINISH: CLEAR- AA-M12C22A41, CLASS 1, .018 MM.  
DARK BRONZE- AA-M12C22A44, CLASS 1, .018 MM.  
SPECIAL FINISHES ARE AVAILABLE.

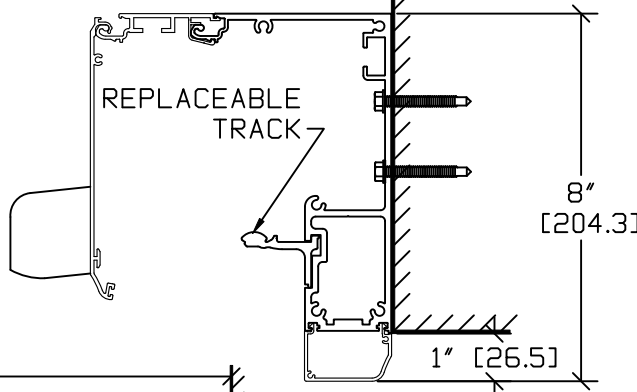
THIS PACKAGE WILL ACCEPT UP TO 1"(25.4) INSULATED GLASS.  
NOTE DRAWING IS DIMENSIONED IN BOTH ENGLISH AND METRIC  
REF. AS FOLLOWS 1" (25.4) ALL METRIC SIZES ARE MILLIMETERS.  
FOR MAXIMUM CURRENT DRAW PER OPERATOR, SEE PRODUCT  
SPECIFICATION, INSTALLATION INSTRUCTIONS, OR THE UL  
LABEL ON THE EQUIPMENT.  
REFER TO RELEVANT (LOCAL, STATE, NATIONAL OR AHJ) BUILDING  
CODE FOR MIN DOOR HEIGHT & MIN/MAX WIDTH ALLOWABLE  
FOR EGRESS REQUIREMENT IN CONJUNCTION WITH TABLE BELOW.

ELECTRICAL SUPPLY  
110 VAC. 60 HZ. 10A.  
BY ELEC. CONTR. TO  
JUNCTION BOX.



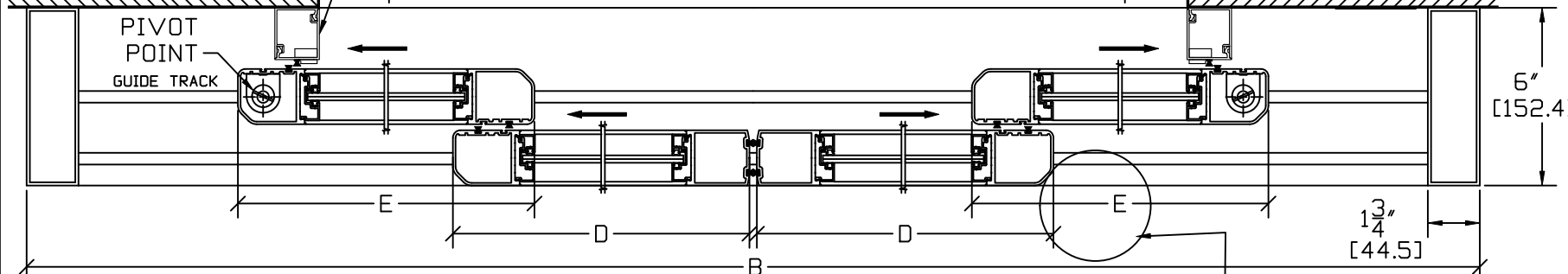
EXTERIOR ELEVATION  
BREAKOUT SIDE

MOTION/PRESENCE SENSORS



REPLACEABLE TRACK

Optional Factory Prep  
Switch Location @ 74-1/2"H



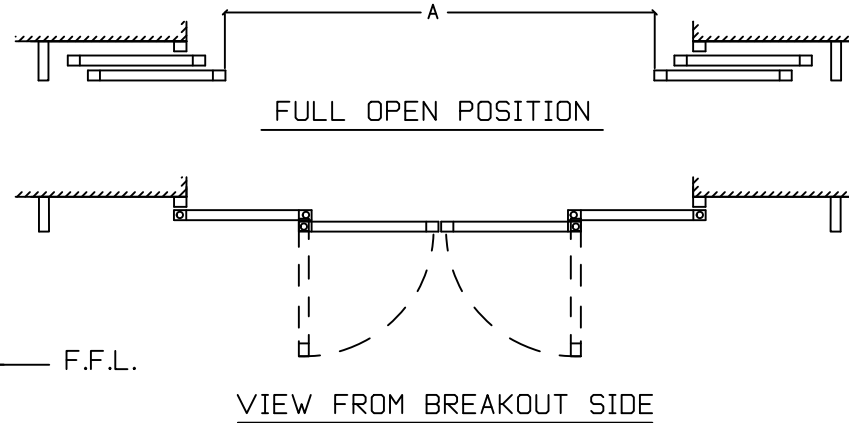
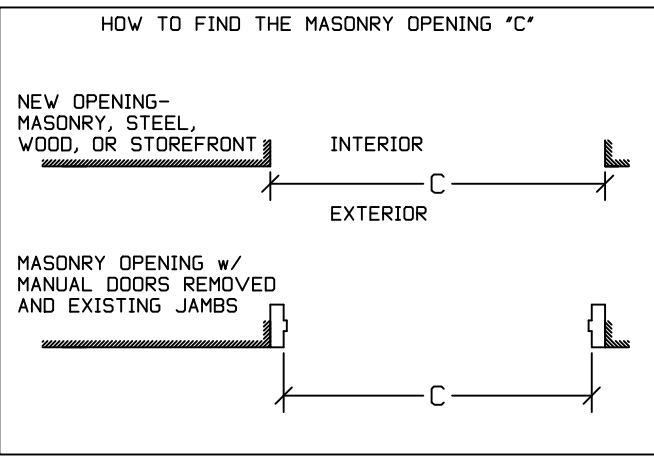
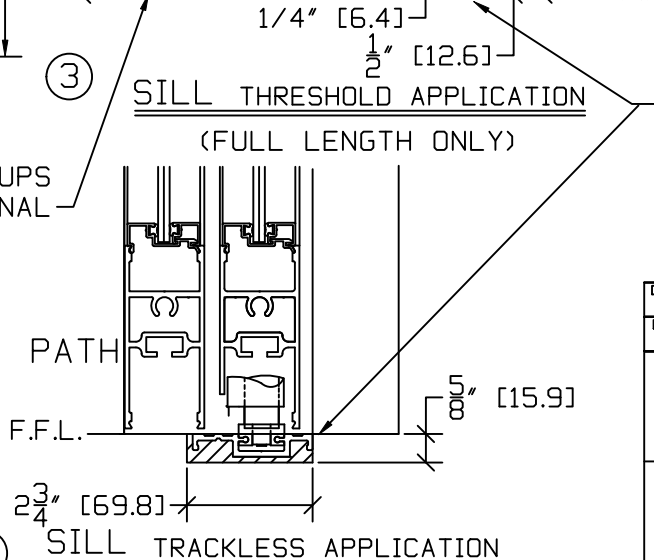
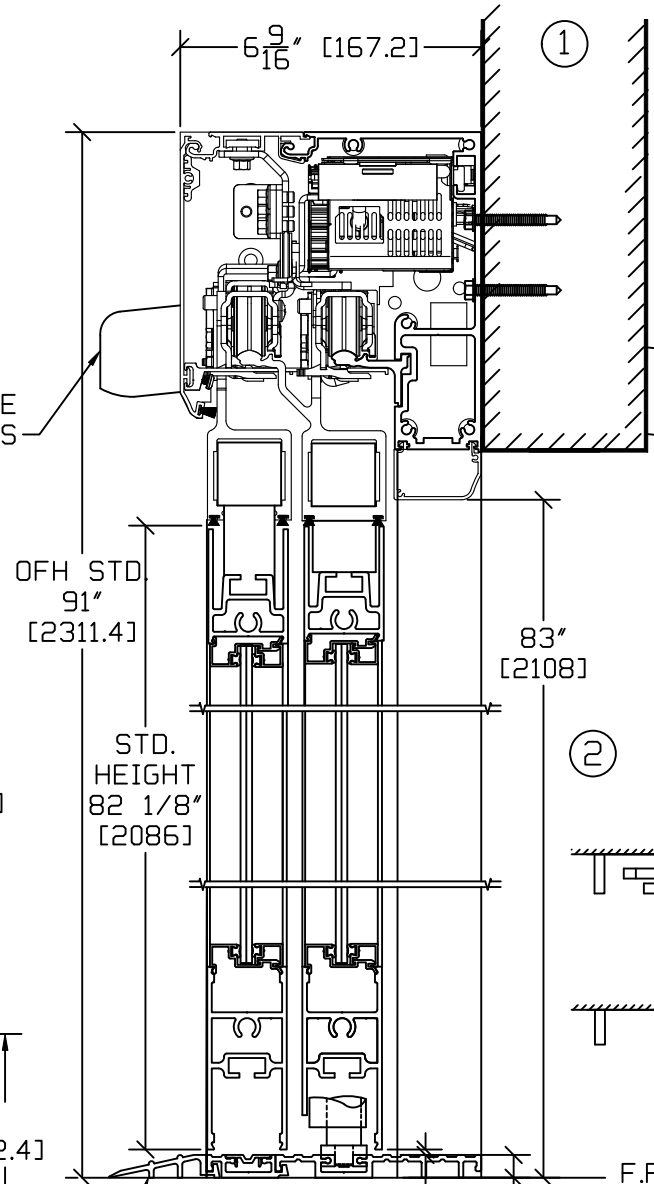
JAMB  
BREAKOUT SIDE  
COVER SIDE

MASONRY OPENING WIDTH C	ACTIVE LEAF WIDTH D & E	DOOR OPENING A	OVERALL FRAME HEIGHT	ROUGH OPENING HEIGHT	OVERALL FRAME WIDTH B
72" (1828.8)	20 11/16" (525.5)	57 1/4" (1454.2)	91" (2311.4)	84" (2133.6)	117 1/8" (2975)
84" (2133.6)	23 11/16" (601.7)	69 1/4" (1758.9)	91" (2311.4)	84" (2133.6)	135 1/8" (3432.2)
96" (2438.4)	26 11/16" (677.9)	81 1/4" (2063.8)	91" (2311.4)	84" (2133.6)	153 1/8" (3889.4)
122" (3099)	33 3/16" (843)	107 3/16" (2722.6)	91" (2311.4)	84" (2133.6)	192" (4876.8)
KEY	(C/4)+2 11/16" (C/4)+(68.3)"	C-14.75 C-(374.7)	ROH+7" ROH+(177.8)	OFH-7" OFH-(177.8)	(3C/2)+9 1/8" (3C/2)+(231.8)"

OFW NOTE: CONSULT FACTORY FOR EXTENDED HEADERS.  
MUST NOT BE AN INCREASE IN ELEVATION THROUGH BREAKOUT DOOR(S)

STD. GLASS SIZE KEY*	WIDTH- "D"	WIDTH- "E"	HEIGHT
	(C/4)-2 3/16" (C/4)-(55.6)	(C/4)-2 5/16" (C/4)-(58.7)	OFH-15 7/8" OFH-(403.2)

\* NARROW STILE RAILS W/ 1/4" GUTTER, NO MUTTINS



MUST NOT BE CONCAVE ACROSS THE CLEAR DOOR OPENING AND NOT OUT OF LEVEL MORE THAN 1/4" (TYP.)

DWG NO. 1010835  
DRN BY CLW DATE 6/4/13 CHK BY SS DATE 6/4/13 REV. 6.0 DATE 01/19/22