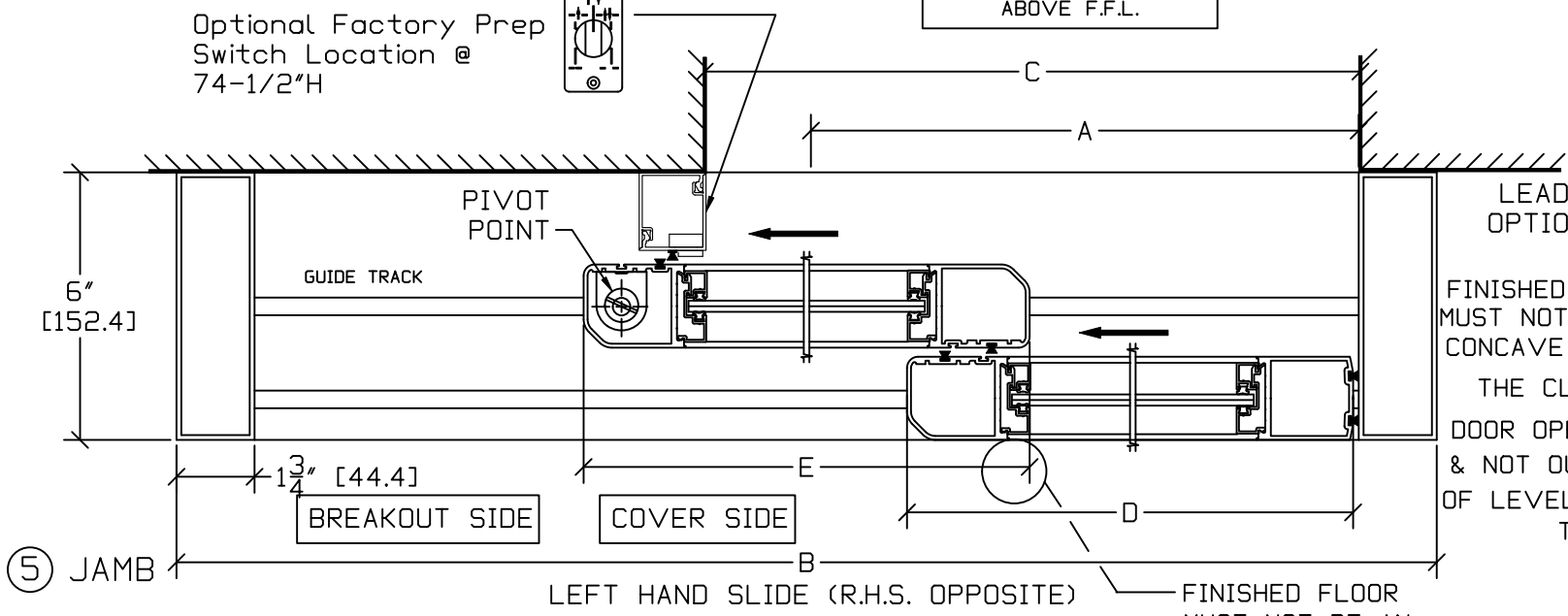
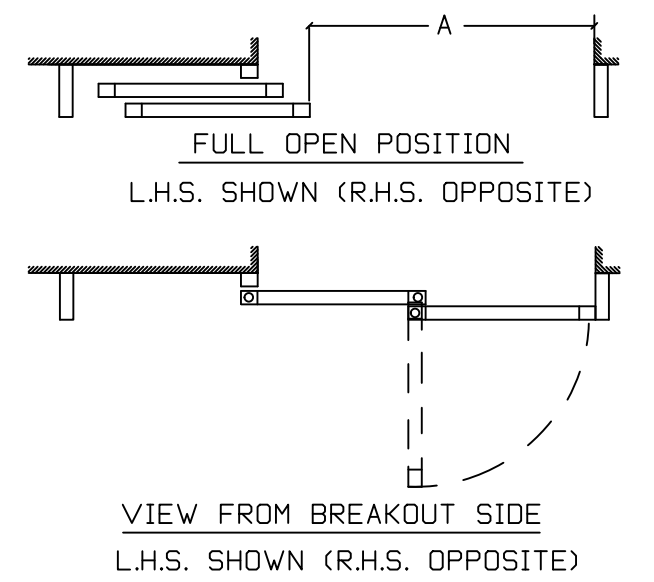
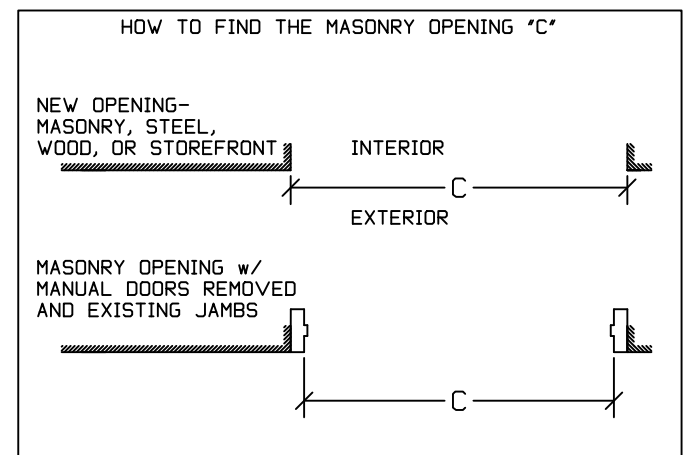
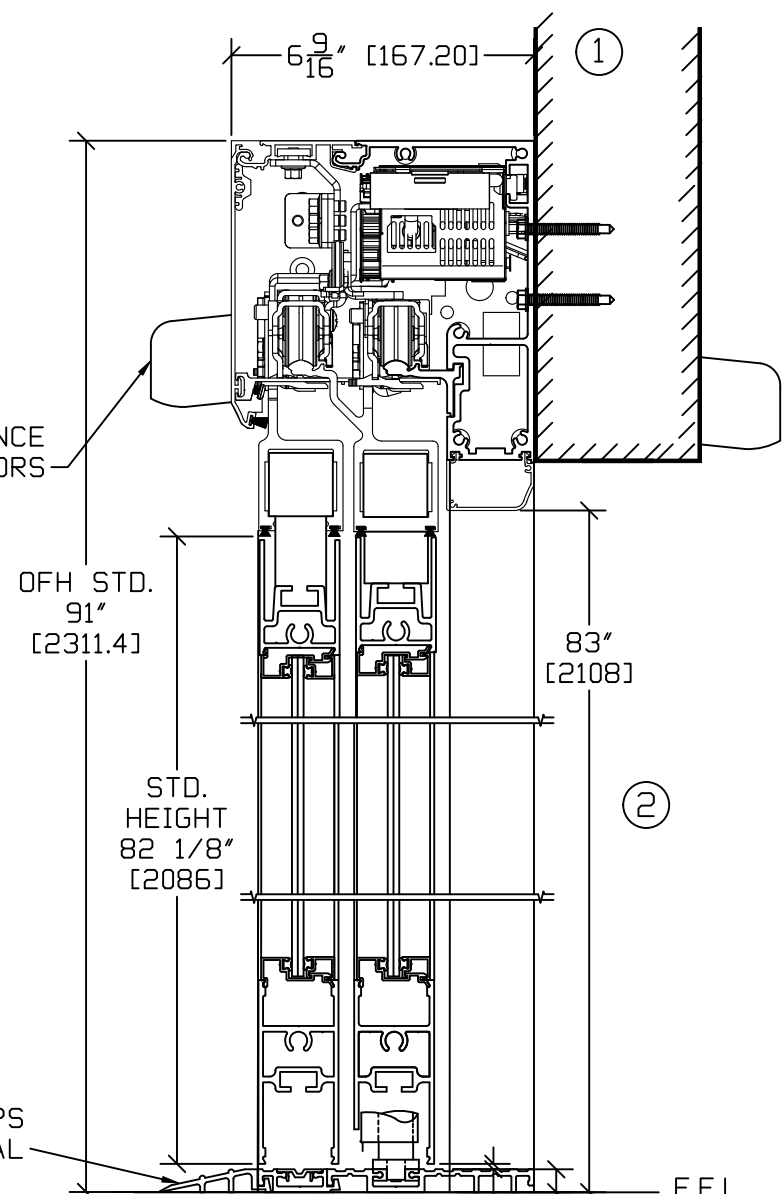
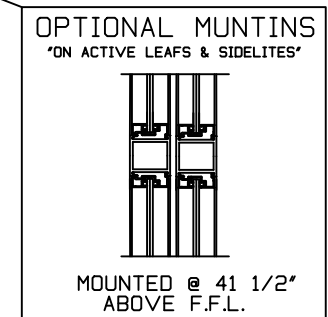
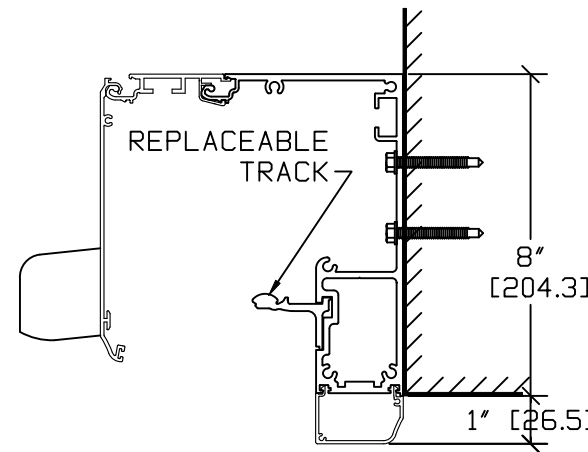
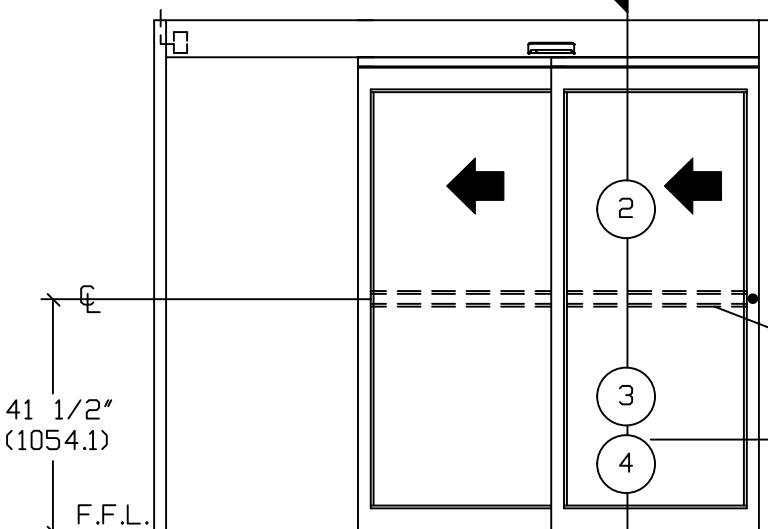


ASSA ABLOY SL500 SURFACE APPLIED SINGLE SLIDE TELESCOPIC SLIDING DOOR SYSTEM

NOTE: THE STANDARD PACKAGE CONSISTS OF:
THE AUTOMATIC OPERATOR & WEATHERSTRIP, FRAMES,
DOORS WITH VERTICAL WEATHERSTRIP,
EMERGENCY BREAKAWAY, 1-POINT LOCK, OPTIONAL POSITION
SWITCHES (DIGITAL (3 OR 5) OR KEY (5)), (OFF-EXIT
ONLY-AUTO-REDUCED OPENING-HOLD OPEN OR OFF, AUTO, HOLD
OPEN), MOTION/PRESENCE SENSORS.
STANDARD FINISH: CLEAR- AA-M12C22A41, CLASS 1, .018 MM.
DARK BRONZE- AA-M12C22A44, CLASS 1, .018
MM.
SPECIAL FINISHES ARE AVAILABLE.

THIS PACKAGE WILL ACCEPT UP TO 1" (25.4) INSULATED GLASS.
NOTE DRAWING IS DIMENSIONED IN BOTH ENGLISH AND METRIC
REF. AS FOLLOWS 1" (25.4) ALL METRIC SIZES ARE MILLIMETERS.
FOR MAXIMUM CURRENT DRAW PER OPERATOR, SEE PRODUCT
SPECIFICATION, INSTALLATION INSTRUCTIONS, OR THE UL
LABEL ON THE EQUIPMENT.
REFER TO RELEVANT (LOCAL, STATE, NATIONAL OR AHJ) BUILDING
CODE FOR MIN DOOR HEIGHT & MIN/MAX WIDTH ALLOWABLE
FOR EGRESS REQUIREMENT IN CONJUNCTION WITH TABLE BELOW.

ELECTRICAL SUPPLY
110 VAC. 60 HZ. 10A.
BY ELEC. CONTR. TO
JUNCTION BOX.

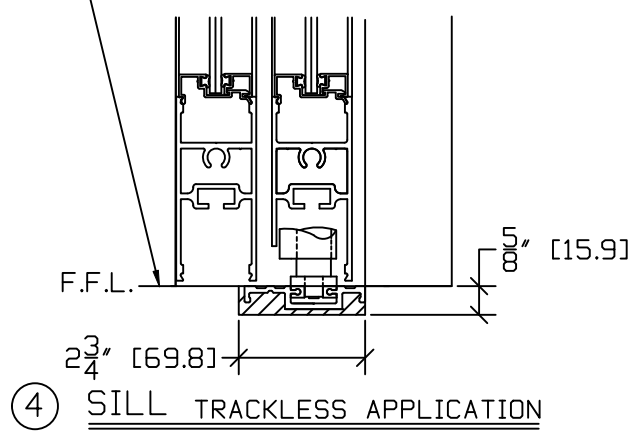


MASONRY OPENING WIDTH C	ACTIVE LEAF WIDTH D & E	DOOR OPENING A	OVERALL FRAME HEIGHT	ROUGH OPENING HEIGHT	OVERALL FRAME WIDTH B
42" (1056.8)	23 11/16" (601.7)	34 5/8" (879.5)	91" (2311.4)	84" (2133.6)	69 5/16" (1760.5)
72" (1828.8)	38 11/16" (982.7)	64 5/8" (1641.5)	91" (2311.4)	84" (2133.6)	114 5/16" (2903.5)
84" (2133.6)	44 11/16" (1135.1)	76 5/8" (1946.3)	91" (2311.4)	84" (2133.6)	132 5/16" (3360.7)
96" (2438.4)	50 11/16" (1287.5)	88 5/8" (2251.1)	91" (2311.4)	84" (2133.6)	150 5/16" (3817.9)
KEY	(C/2)+2 11/16" (C/2)+(68.3)"	C-7.375 C-(187.3)	ROH+7" (177.8)	OFH-7" (177.8)	(3C/2)+6 5/16" (3C/2)+(160.3)"

OFW NOTE: CONSULT FACTORY FOR EXTENDED HEADERS.

STD. GLASS SIZE KEY*	WIDTH- "D"	WIDTH- "E"	HEIGHT
	(C/2)-2 3/16" (C/2)-(55.6)	(C/2)-2 5/16" (C/2)-(58.7)	OFH-15 7/8" OFH-(403.2)

* NARROW STILE RAILS w/ 1/4" GUTTER, NO MUTTINS BASED ON MASONRY OPENING



DWG NO. 1010836

DRN BY CLW DATE 6/4/13 CHK BY SS DATE 6/4/13 REV. 6.0 DATE 01/19/22

ASSA ABLOY