

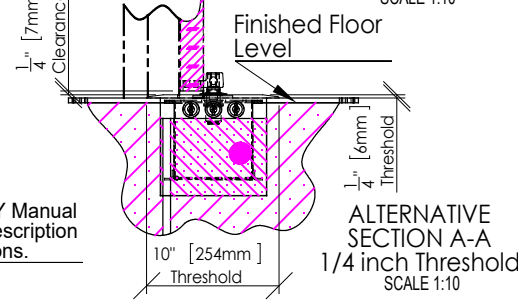
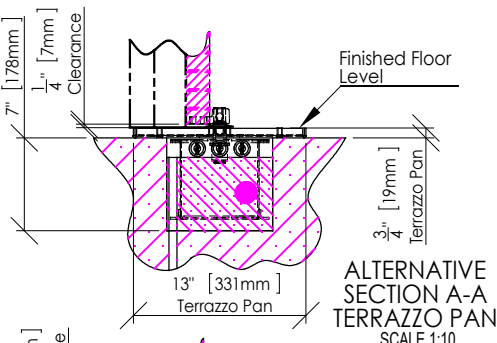
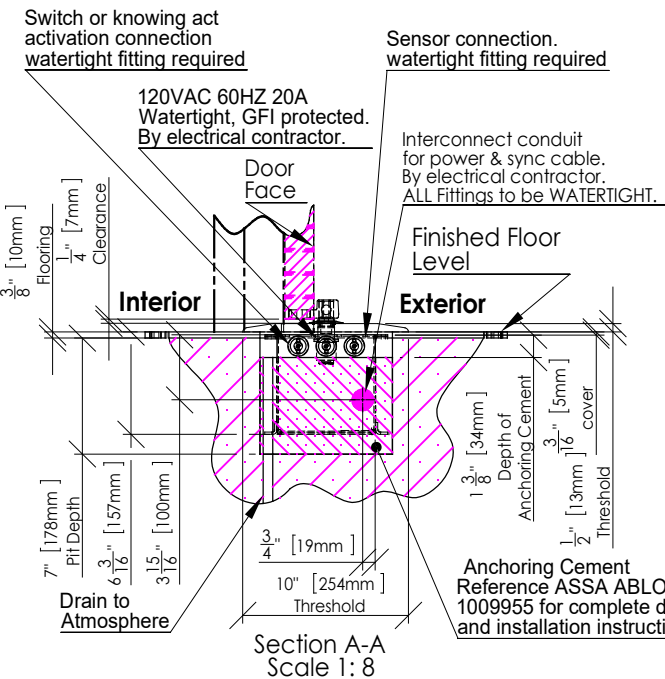
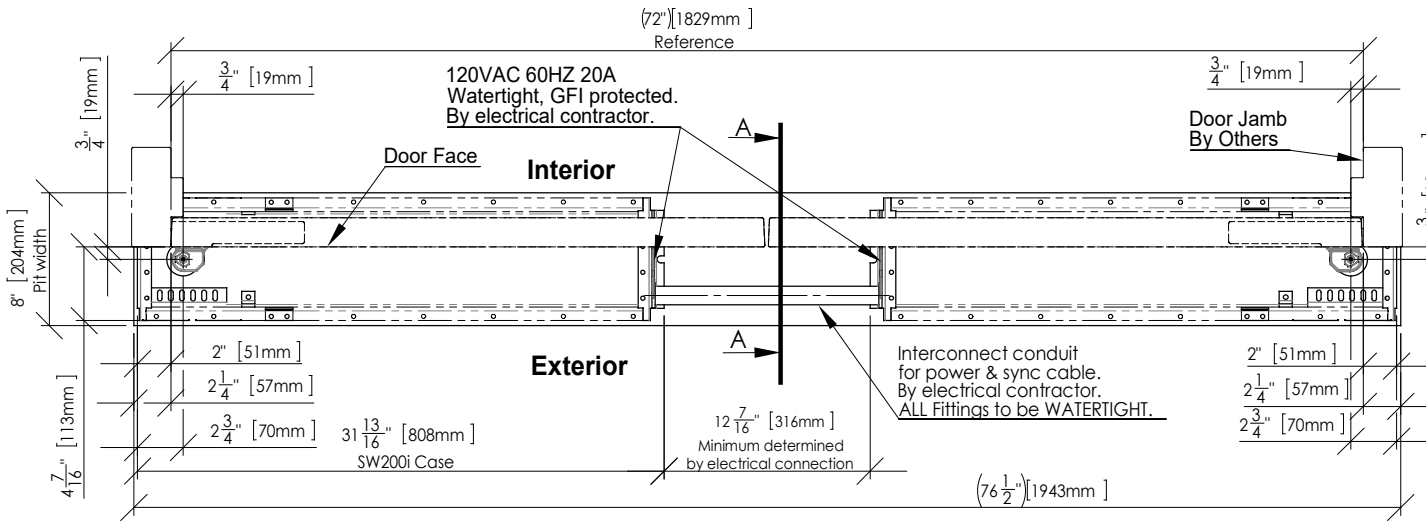


ASSA ABLOY Entrance Systems  
 1900 Airport Road  
 Monroe, NC 28110  
 Phone: 1-866-237-2687  
 specdesk.na.entrance@assaabloy.com

### ASSA ABLOY SW200i -IG In Ground SW200i-IG Operator Offset Pivot, Double Door

**NOTE:**

1. The SW200i-IG in ground operator is designed for pedestrian and ADA applications that require manual push forces to comply with ANSI A156.19 and fire door regulations. Maximum door weight 700lb [340 kg]  
 Bottom Arm Compatibility:  
 See FTS 19-005 for complete list of compatible bottom arms
2. SW200i - IG in ground operator requires purchase of SW200i operator, a SW200i - IG installation kit and an output shaft adaptor. Doors, door arms, and threshold by others. ASSA ABLOY center pivot arm included if selected.
3. SW200i Power/Reset switch is mounted within the in ground enclosure. Alternative optional switch mounting for 3 position on/off/hold or 4 position off/two way/one way/hold will be required on the door frame or optional remote box.
4. Specify and order the required SW200i compatible output shaft adaptor per table 1 below and ASSA ABLOY SW200i - installation manual 1009955
5. The SW200i - IG is splash proof when correctly assembled. It is essential the pit is drained or provided with a sump pump to prevent water accumulation in the pit.
6. Finish of the IG enclosure is black powder coat suitable for masonry exposure. All exterior hardware is stainless steel.
7. Optional sensor kits are available.
8. 90 deg. door stop (by others) is required for all ASSA ABLOY SW200i - IG installations.



**Table 1** 3/4" Offset Pivot compatible arms and adaptors

7/8" Diameter Triangular Output Adaptor	Rixson Offset Pivot Arm Top load-----700lb [318 kg]
Rixson L27 compatible: various door thicknesses. By others	
Select for	
1/4" [6.4mm] thick threshold	ASSA ABLOY # 1018932
1/2" [12.7mm] thick threshold	ASSA ABLOY #1018931
3/4" [19.1mm] Terrazzo pan	ASSA ABLOY # 1018931

DWG. NO. 1010932

DRN BY mdv DATE 03/14/13 CHK BY DATE xx/xx/xx REV 3.0 DATE 4/25/19

**ASSA ABLOY**

SHEET 1 OF 1