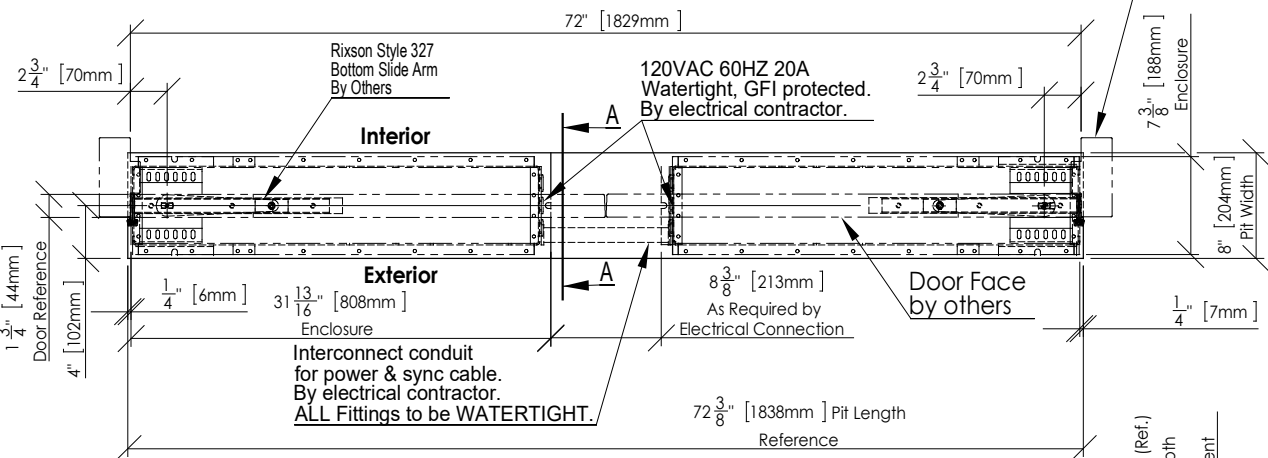


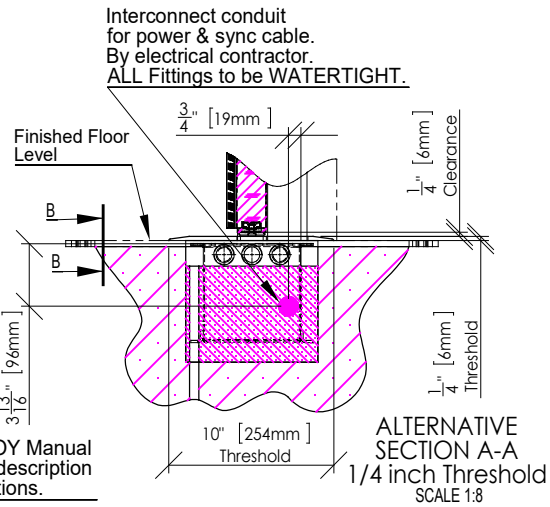
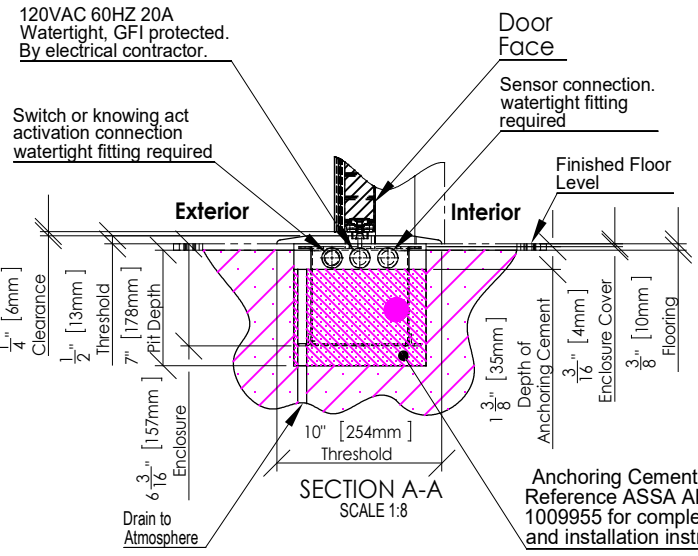
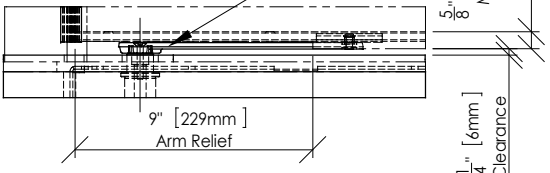
ASSA ABLOY SW200i -IG In Ground Operator Independently Hung, Double Door

NOTE:

- The SW200i-IG in ground operator is designed for pedestrian and ADA applications that require manual push forces to comply with ANSI A156.19 and fire door regulations.
Maximum door weight 700lb [340 kg]
Bottom Arm Compatibility:
See FTS 19-005 for complete list of compatible bottom arms
- SW200i - IG in ground operator requires purchase of SW200i operator, a SW200i - IG installation kit and an output shaft adaptor. Doors, door arms, and threshold by others. ASSA ABLOY center pivot arm included if selected.
- SW200i Power/Reset switch is mounted within the in ground enclosure. Alternative optional switch mounting for 3 position on/off/hold or 4 position off/two way/one way/hold will be required on the door frame or optional remote box.
- Specify and order the required SW200i compatible output shaft adaptor per table 1 below and ASSA ABLOY SW200i - installation manual 1009955
- The SW200i - IG is splash proof when correctly assembled. It is essential the pit is drained or provided with a sump pump to prevent water accumulation in the pit.
- Finish of the IG enclosure is black powder coat suitable for masonry exposure. All exterior hardware is stainless steel.
- Optional sensor kits are available.
- 90 deg. door stop (by others) is required for all ASSA ABLOY SW200i - IG installations.



PARTIAL SECTION B-B
SCALE 1:5



Adaptor	Select for
7/8" Diameter Short Taper Output Adaptor	ASSA ABLOY # 1010955
Rixson 327 Sliding Bottom Arm 700lb [318 kg]	ASSA ABLOY # 1010955
Rixson # 32555000-X Arm	N/A

DWG. NO. 1010943
 DRN BY mdv DATE 03/14/13 CHK BY DATE xx/xx/xx REV 3.0 DATE 4/25/19