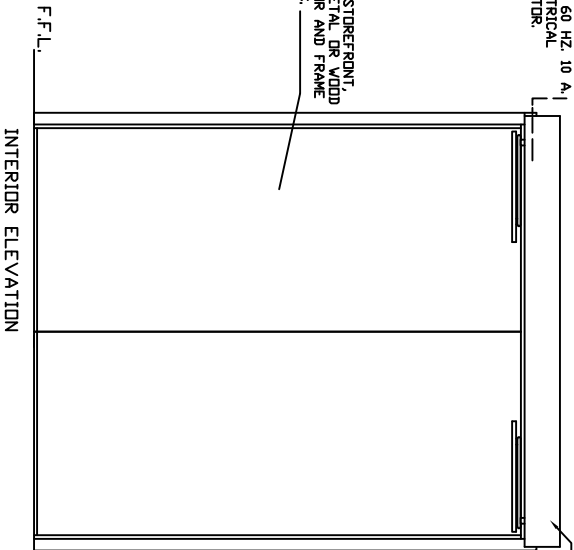


# ASSA ABLOY

ASSA ABLOY Entrance Systems  
 1900 Airport Road  
 Monroe, NC 28110  
 Phone: 1-866-237-2687  
 specdesk@assabloy.com

BESAM POWERSWING - LOW ENERGY  
 SURFACE APPLIED PAIR  
 SWING DOOR OPERATOR  
 ' PULL APPLICATION '

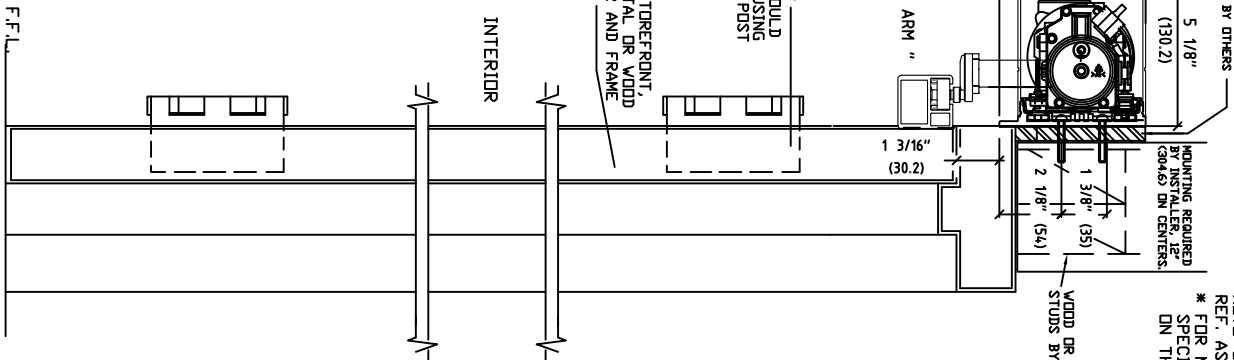
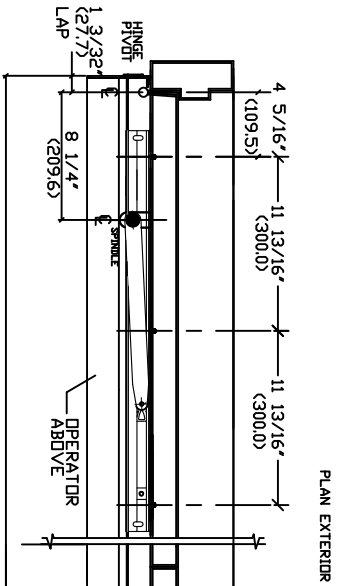
110 VAC, 60 HZ, 10 A,  
 BY ELECTRICAL  
 CONTRACTOR



FILLER PLATE AS REQUIRED  
 1/2" (12.7) PLYWOOD, BY OTHERS

FOR WOOD AND HOLLOW  
 METAL DOORS, SHOE SHOULD  
 BE MOUNTED TO DOOR USING  
 #1/4"-20 BINDING HEAD POST  
 SCREWS (SEE BOLTS),  
 HARDWARE FOR DOOR  
 BY INSTALLER.

ALUMINUM STOREFRONT,  
 HOLLOW METAL OR WOOD  
 FLUSH WITH DOOR AND FRAME  
 BY OTHERS.



NOTE: DRAWING IS DIMENSIONED IN BOTH ENGLISH AND METRIC.  
 REF. AS FOLLOWS: 1" (25.4) ALL METRIC SIZES ARE IN MILLIMETERS.  
 \* FOR MAXIMUM CURRENT DRAW, PER OPERATOR, SEE PRODUCT SPECIFICATION, INSTALLATION INSTRUCTIONS, OR THE UL LABEL ON THE EQUIPMENT.

### EXPLANATION OF USE

MANUAL USE -  
 PUSH OR PULL THE DOOR OPEN AND IT CLOSSES AS A NORMAL MANUAL DOOR CLOSER.



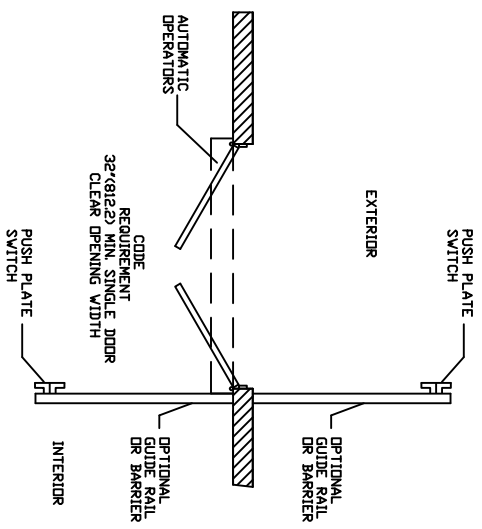
### AUTOMATIC -

ACTIVATE THE DOOR BY HANDICAPPED PUSHPLATE AND THE DOOR WILL SLOWLY POWER OPEN, TIME OUT, AND SLOWLY CLOSE.

### PUSH ACTIVATION - (OPTIONAL)

PUSH OR PULL THE DOOR AND IT WILL SLOWLY POWER OPEN, TIME OUT, AND SLOWLY CLOSE.

NOTE - OPERATIONAL ADJUSTMENTS TO BE IN ACCORDANCE WITH ANSI/BHMA 156.19 STANDARD FOR LOW ENERGY POWER OPERATED DOORS.



DATE	10/15/835	DATE	10/11/16	DATE	10/11/16	DATE	10/11/16
DESIGNED BY	HW	DATE	10/11/16	CHECKED BY	SS	DATE	10/11/16
DATE	10/11/16	DATE	10/11/16	DATE	10/11/16	DATE	10/11/16

ASSA ABLOY