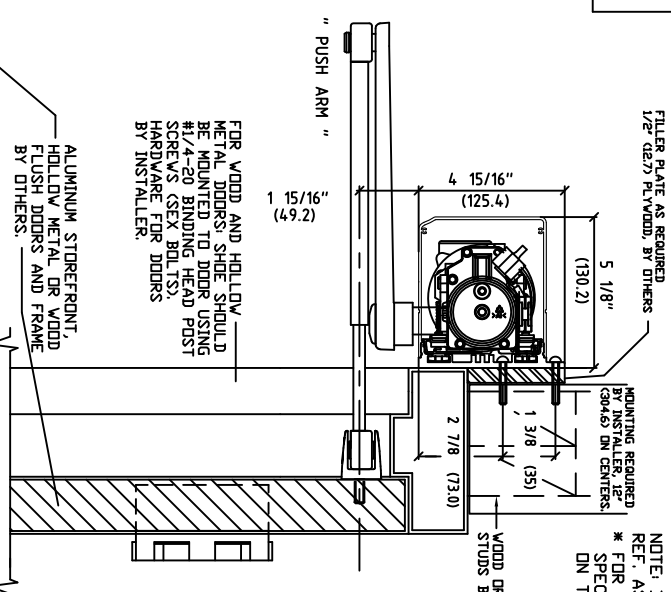
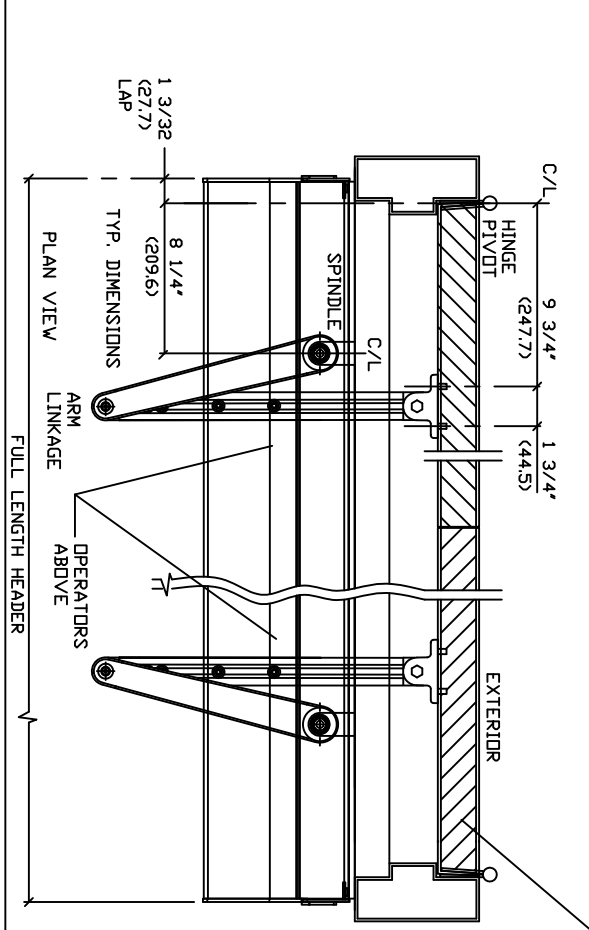
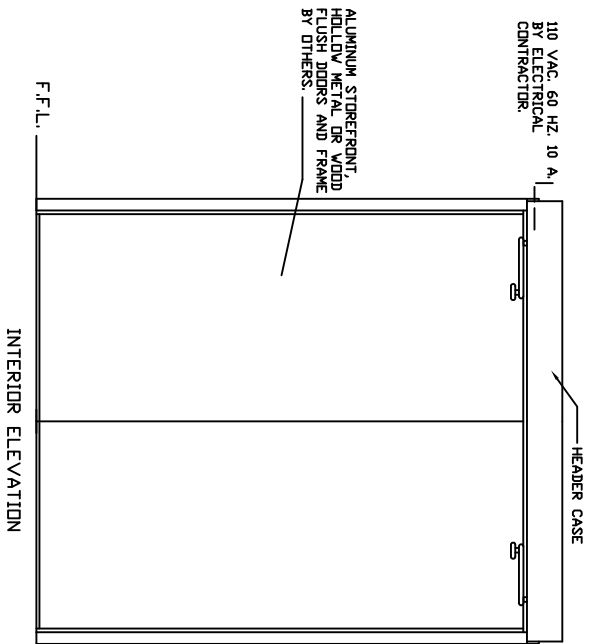


ASSA ABLOY

ASSA ABLOY ENTRANCE SYSTEMS
 1900 AIRPORT ROAD
 MONKLE, NC 28110
 PHONE: 1-866-237-2687
 SFCDESIGN@ASSAABLOY.COM

POWERSWING - PEDESTRIAN
 SURFACE APPLIED PAIR
 SWING DOOR OPERATORS
 * PUSH APPLICATION *

110 VAC, 60 HZ, 10 A,
 BY ELECTRICAL
 CONTRACTOR.



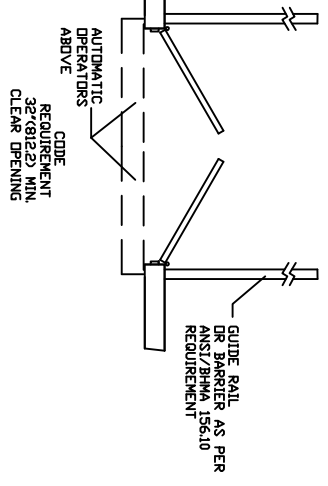
FOR WOOD AND HOLLOW METAL DOORS, SHOE SHOULD BE MOUNTED TO DOOR USING #1/4-20 BINDING HEAD POST SCREWS (SEE BOLTS), HARDWARE FOR DOORS BY INSTALLER.

ALUMINUM STOREFRONT, HOLLOW METAL OR WOOD FLUSH DOORS AND FRAME BY OTHERS.

NOTE: DRAWING IS DIMENSIONED IN BOTH ENGLISH AND METRIC. REF. AS FOLLOWS: 1" (25.4); ALL METRIC SIZES ARE IN MILLIMETERS. * FOR MAXIMUM CURRENT DRAW PER OPERATOR, SEE PRODUCT SPECIFICATION, INSTALLATION INSTRUCTIONS, OR THE UL LABEL ON THE EQUIPMENT.

NOTE 1- OPERATIONAL ADJUSTMENTS TO BE IN ACCORDANCE WITH ANSIB/BHMA 156.10 STANDARD FOR PEDESTRIAN OPERATED DOORS.

NOTE 1- ACTIVATION/SAFETY SENSORS AND SIGNAGE ARE REQUIRED IN ACCORDANCE WITH ANSIB/BHMA 156.10 STANDARD FOR PEDESTRIAN OPERATED DOORS.



<p>ASSA ABLOY</p>	<p>DATE: 10/15/2016 DRAWN BY: HNV CHECKED BY: BSS DATE: 10/19/16 REV: 10</p>
-------------------	--