

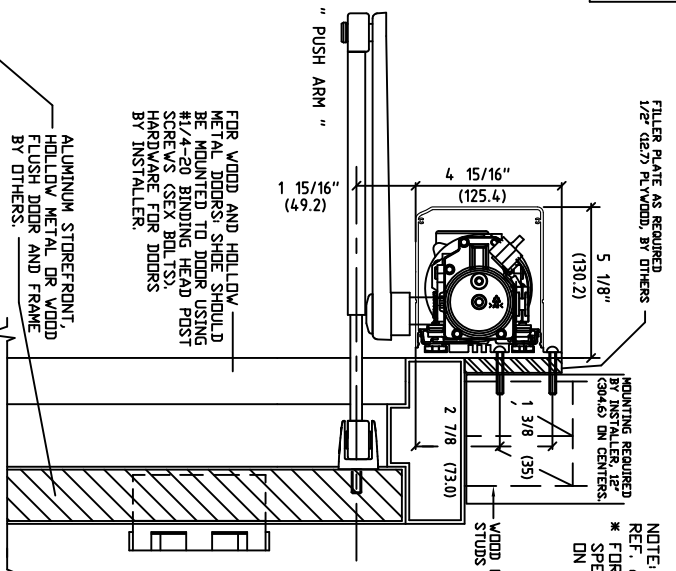
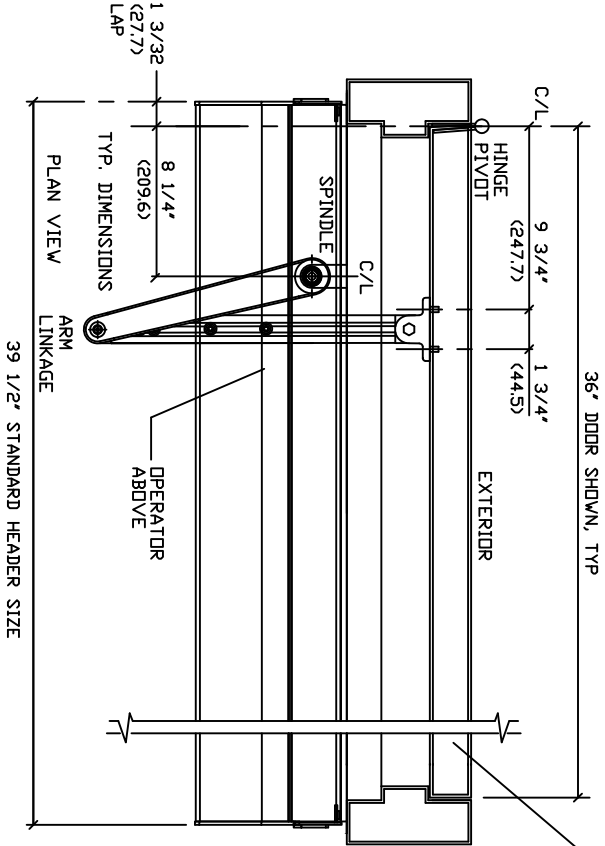
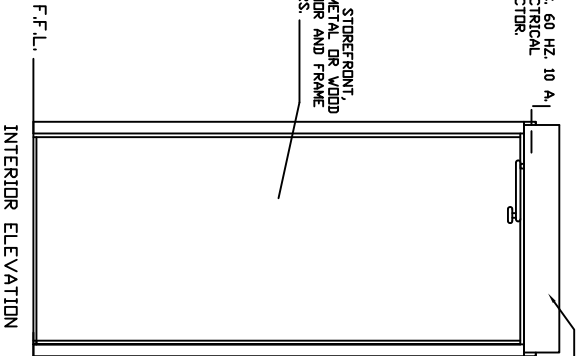
ASSA ABLOY

ASSA ABLOY Entrance Systems
 1900 Airport Road
 Morris, NC 28110
 Phone: 1-866-237-2687
 Speedskraabe@assabloy.com

BESAM POWERSWING - PEDESTRIAN
 SURFACE APPLIED
 SWING DOOR OPERATOR
 PUSH APPLICATION

110 VAC, 60 HZ, 10 A,
 BY ELECTRICAL
 CONTRACTOR

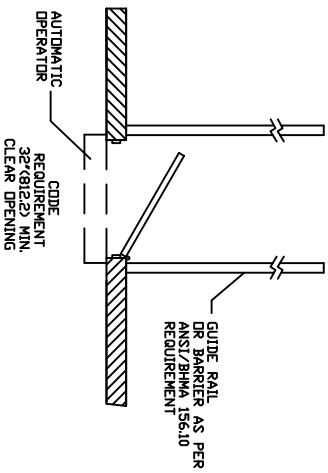
ALUMINUM STOREFRONT,
 HOLLOW METAL OR WOOD
 FLUSH DOOR AND FRAME
 BY OTHERS.



NOTE: DRAWING IS DIMENSIONED IN BOTH ENGLISH AND METRIC.
 REF. AS FOLLOWS: 1" (25.4); ALL METRIC SIZES ARE IN MILLIMETERS.
 * FOR MAXIMUM CURRENT DRAW PER OPERATOR, SEE PRODUCT
 SPECIFICATION, INSTALLATION INSTRUCTIONS, OR THE UL LABEL
 ON THE EQUIPMENT.

NOTE 1- OPERATIONAL ADJUSTMENTS TO BE IN
 ACCORDANCE WITH ANSI/BHMA 156.10 STANDARD
 FOR PEDESTRIAN OPERATED DOORS.

NOTE 1- ACTIVATION/SAFETY SENSORS AND SIGNAGE ARE REQUIRED
 IN ACCORDANCE WITH ANSI/BHMA 156.10 STANDARD
 FOR PEDESTRIAN OPERATED DOORS.



DATE	10/15/2016	BY	HW	DATE	10/19/16	CHK	BSS	DATE	10/19/16	REV	10
ASSA ABLOY											