

ASSA ABLOY

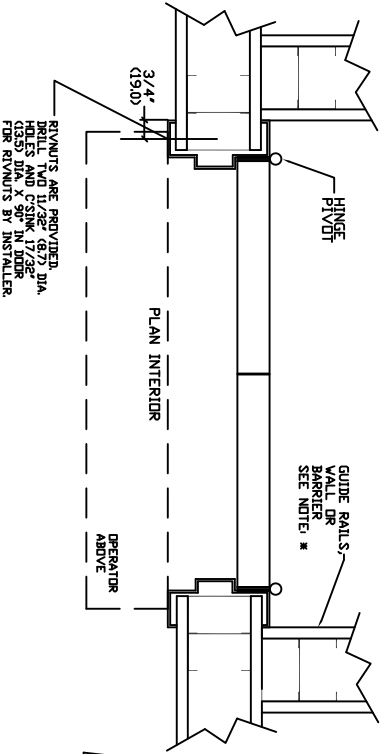
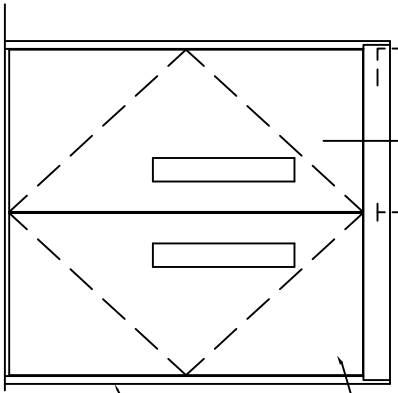
ASSA ABLOY Entrance Systems
 1900 Airport Road
 Morrisville, NC 28110
 Phone: 1-866-237-2687
 specsheet@assabloy.com

BESAM SW2001 SURFACE APPLIED DUAL SWING DOOR OPERATOR * PULL APPLICATION *

OPTIONAL PUR/SIGNAL
 ACCESS IS AT ENDS

120 VAC, 60 HZ, 20 A
 BY ELEC. CONTR. FOR
 CTRL. AT MID POINT
 OF HEADER.

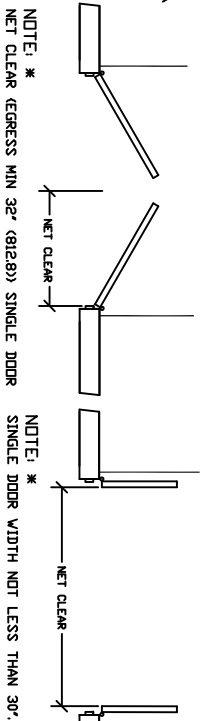
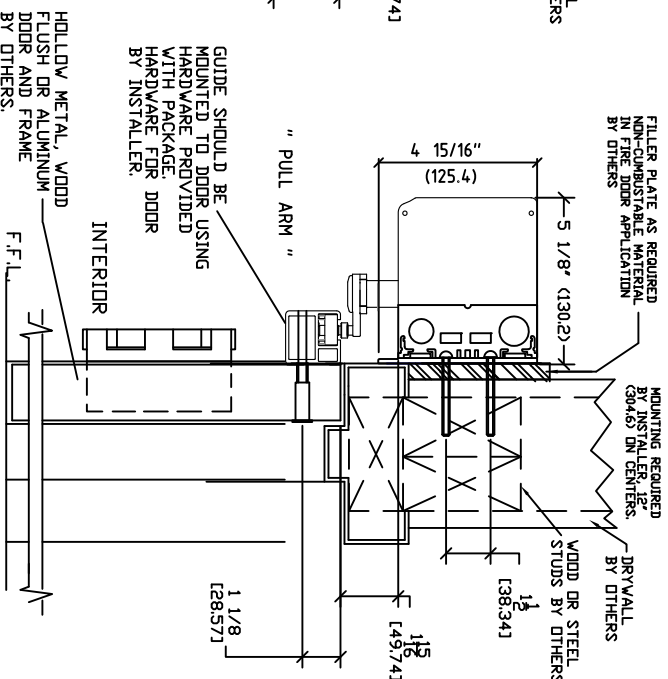
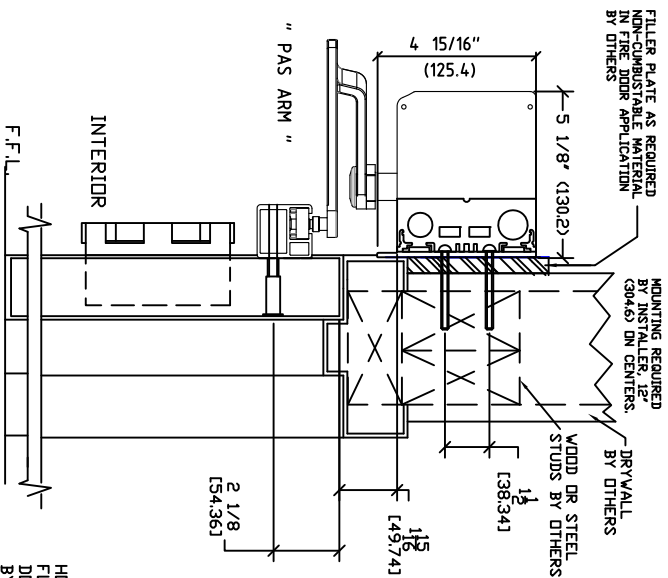
SINGLE OR DUAL SWING
 HOLLOW METAL OR WOOD
 FLUSH DOORS AND
 FRAMES BY OTHERS.



NOTE:
 PACKAGE INCLUDES AUTOMATIC OPERATOR, CONTROLLER, SLIDE, PAS, or PUSH ARM
 AND SENSOR SYSTEM PER YOUR SELECTION.
 SEE I-ADAPT DRAWINGS 1010265 AND 1010266 FOR DETAILS ON SENSOR SYSTEM.

SW2001 IS DESIGNED FOR HIGH PERFORMANCE, HEAVY USAGE PEDESTRIAN
 APPLICATIONS THAT COMPLY WITH ANSI A156.10. THE OPERATOR CAN ALSO BE
 ADJUSTED FOR LOWER MANUAL PUSH FORCES TO COMPLY WITH ANSI 156.19 AND
 FIRE DOOR REGULATIONS.

STANDARD FINISH:
 CLEAR - AA-M12C22A41, CLASS 1, .018 MM
 DARK BRONZE - AA-M12C22A44, CLASS 1, .018 MM
 SPECIAL FINISHES ARE AVAILABLE



DATE	10/15/2014	BY	HHW
DATE	10/20/16	BY	BSS
DATE	10/20/16	BY	110

ASSA ABLOY