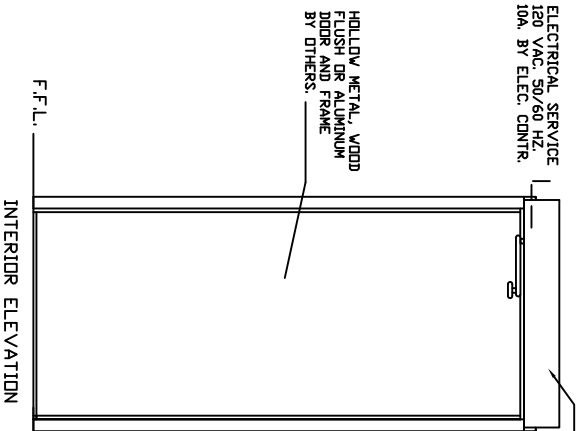


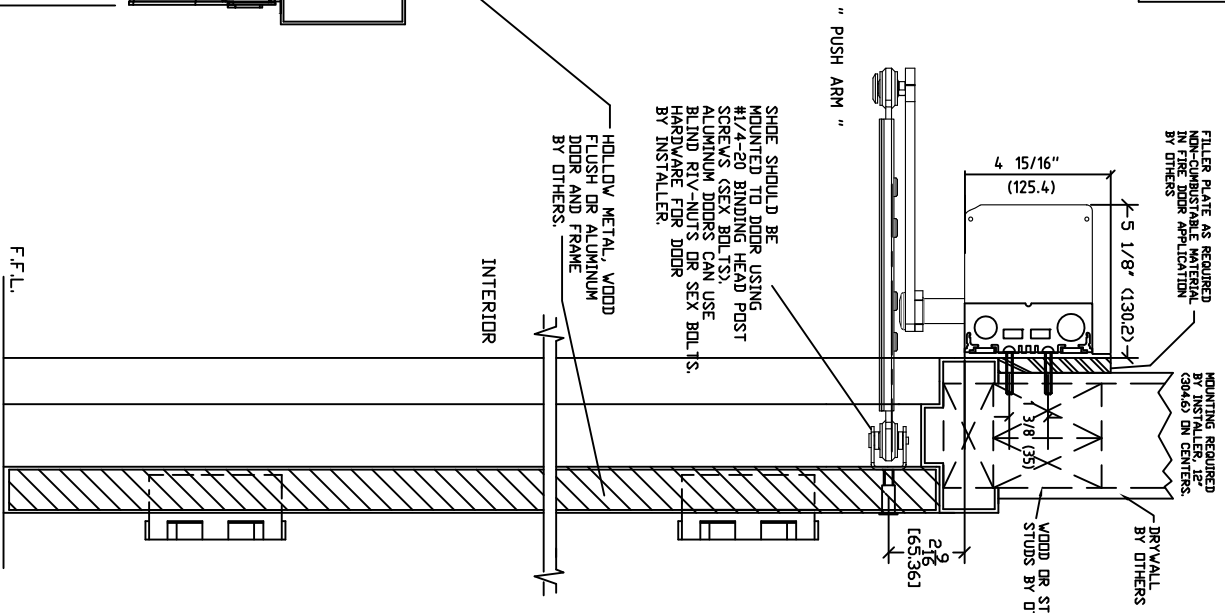
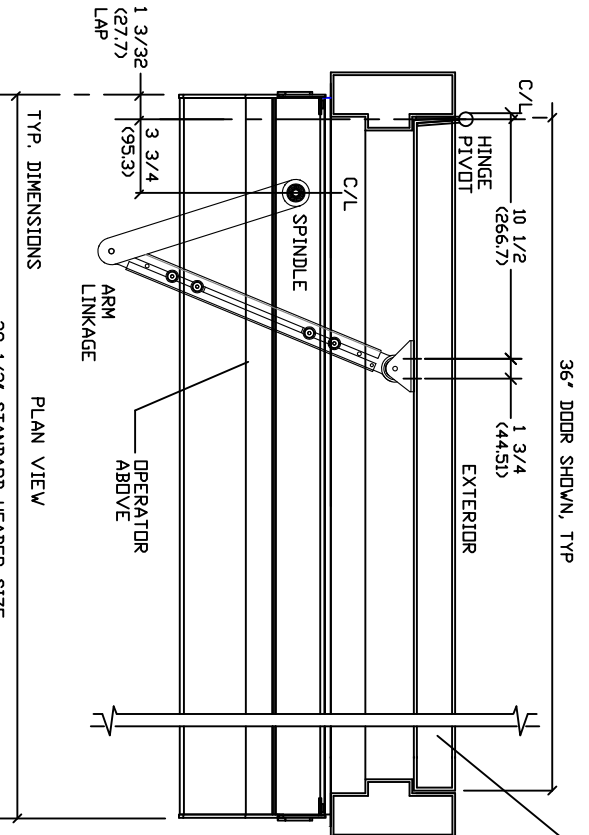
ASSA ABLOY

ASSA ABLOY Entrance Systems
 1900 Airport Road
 Morris, NC 28110
 Phone: 1-866-237-2687
 Speedskrambe@assaabloy.com

BESAM SV2001 SURFACE APPLIED SINGLE SWING DOOR OPERATOR * PUSH APPLICATION *

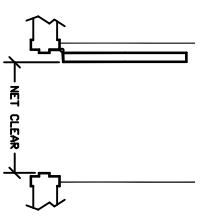


* ELECTRICAL SERVICE
 120 VAC, 50/60 HZ,
 10A, BY ELEC. CNTR.
 HOLLOW METAL, WOOD
 FLUSH OR ALUMINUM
 DOOR AND FRAME
 BY OTHERS.



NOTE:
 SV2001 IS DESIGNED FOR HIGH PERFORMANCE, HEAVY USAGE PEDESTRIAN APPLICATIONS THAT COMPLY WITH ANSI A156.10. THE OPERATOR CAN ALSO BE ADJUSTED FOR LOWER MANUAL PUSH FORCES TO COMPLY WITH ANSI 156.19 AND FIRE DOOR REGULATIONS.

STANDARD FINISH:
 CLEAR - AA-C23-A31,
 DARK BRONZE - AA-C23-A44
 SPECIAL FINISHES ARE AVAILABLE
 NOTE: DRAWING IS DIMENSIONED IN BOTH ENGLISH AND METRIC. REF. AS FOLLOWS: 1) (25.4), ALL METRIC SIZES ARE IN MILLIMETERS.



NOTE: *
 NET CLEAR (EGRESS MIN 32" (813)) DOOR ENGAGEMENT OF 4" INTO NET CLEAR BY PANIC HARDWARE IS PERMITTED ABOVE 34".
 * GUIDE RAILS (SHOWN) ARE REQUIRED ON THE SWINGPATH SIDE OF POWER OPERATED PEDESTRIAN DOORS (ANSI 156.10) BUT NOT ON LOW ENERGY POWER OPERATED DOORS (ANSI 156.19).

DOC NO.	10158276
REV	DATE
BY	CHK
DATE	DATE

ASSA ABLOY