

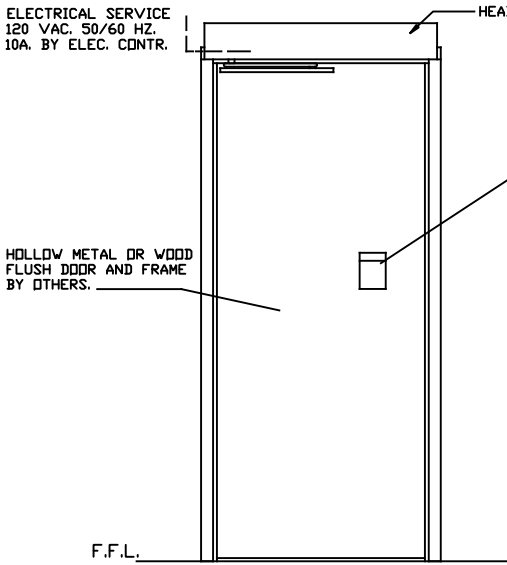
ASSA ABLOY

ASSA ABLOY Entrance Systems
1900 Airport Road
Monroe, NC 28110
Phone: 1-866-237-2687
specdesk.na.besam@assaabloy.com

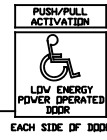
BESAM SW100 - LOW ENERGY
SURFACE APPLIED
SWING DOOR OPERATOR
" PULL APPLICATION "



* ELECTRICAL SERVICE
120 VAC, 50/60 HZ.
10A. BY ELEC. CNTR.



INTERIOR ELEVATION



HOLLOW METAL OR WOOD
FLUSH DOOR AND FRAME
BY OTHERS.

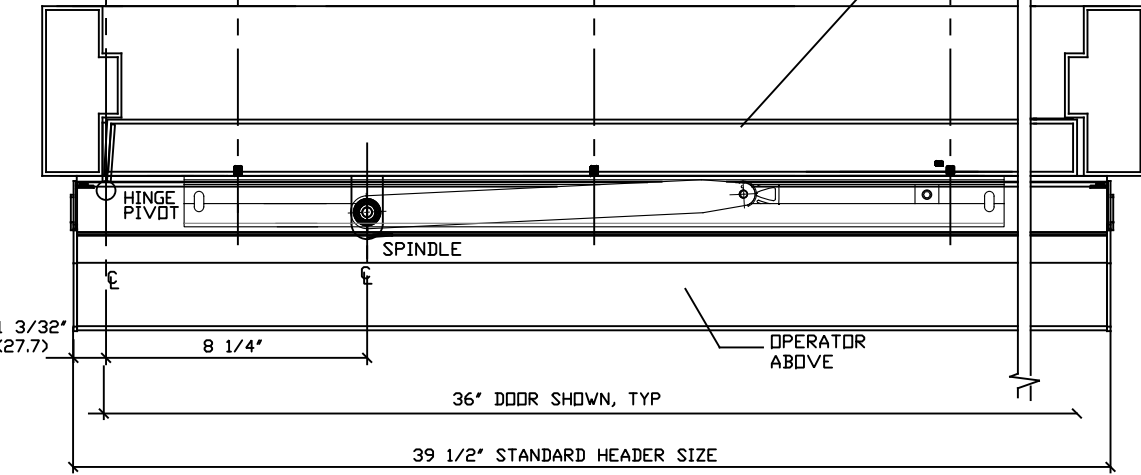
HEADER CASE

EACH SIDE OF DOOR

PRESS SWITCH
TO OPERATE

F.F.L.

PLAN EXTERIOR



1 3/32"
(27.7)

8 1/4"

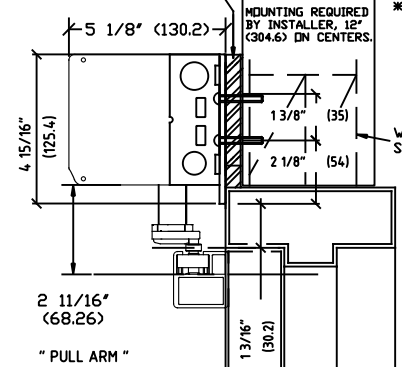
36" DOOR SHOWN, TYP

39 1/2" STANDARD HEADER SIZE

OPERATOR
ABOVE

FOR WOOD AND HOLLOW
METAL DOORS: SHOE SHOULD
BE MOUNTED TO DOOR USING
#1/4-20 BINDING HEAD POST
SCREWS (SEX BOLTS).
HARDWARE FOR DOOR
BY INSTALLER.

FILLER PLATE AS REQUIRED
1/2" (12.7) PLYWOOD, BY OTHERS



" PULL ARM "

INTERIOR

F.F.L.

NOTE: DRAWING IS DIMENSIONED IN BOTH ENGLISH AND METRIC.
REF. AS FOLLOWS: 1" (25.4). ALL METRIC SIZES ARE IN MILLIMETERS.
* FOR MAXIMUM CURRENT DRAW PER OPERATOR, SEE PRODUCT
SPECIFICATION OR INSTALLATION INSTRUCTIONS.

EXPLANATION OF USE

MANUAL :-

PUSH OR PULL THE DOOR OPEN AND IT
CLOSES AS A NORMAL MANUAL DOOR CLOSER.

AUTOMATIC :-



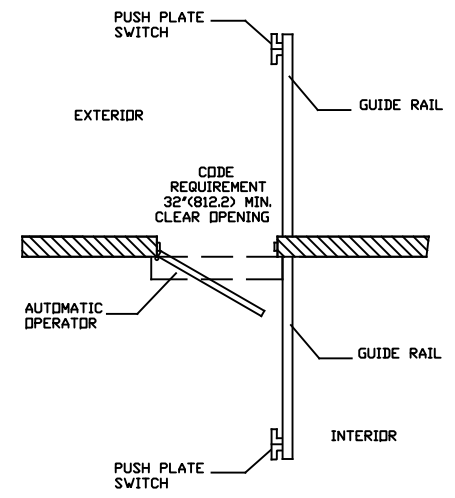
ACTIVATE THE DOOR BY HANDICAPPED
PUSHPLATE AND THE DOOR WILL SLOWLY
POWER OPEN, TIME OUT, AND SLOWLY
CLOSE.

PUSH ACTIVATION :- (OPTIONAL)



PUSH OR PULL THE DOOR AND IT WILL
SLOWLY POWER OPEN, TIME OUT, AND
SLOWLY CLOSE.

NOTE :- OPERATIONAL ADJUSTMENTS TO BE IN
ACCORDANCE WITH ANSI/BHMA STANDARD.
FOR LOW ENERGY POWER
OPERATED DOORS.



DWG NO. 1015905

DRN BY	DATE	CHK BY	DATE	REV.	DATE
MHW	10/26/16	SS	10/26/16	1.0	

ASSA ABLOY