

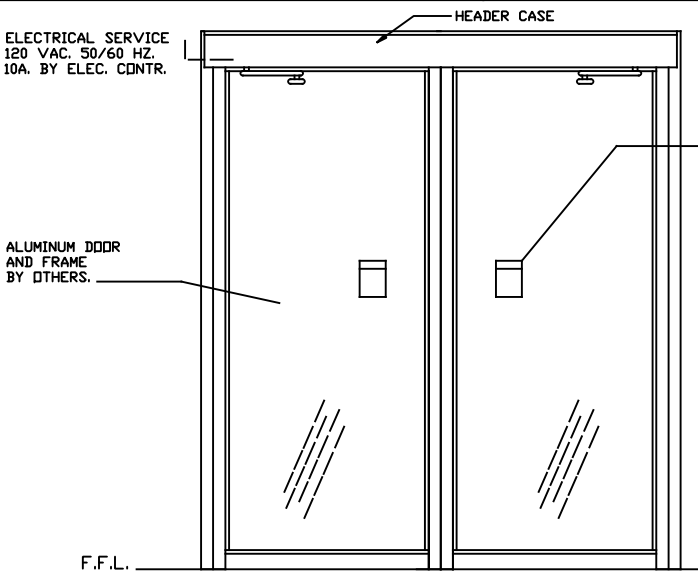
# ASSA ABLOY

ASSA ABLOY Entrance Systems  
1900 Airport Road  
Monroe, NC 28110  
Phone: 1-866-237-2687  
specdesk.na.besam@assaabloy.com

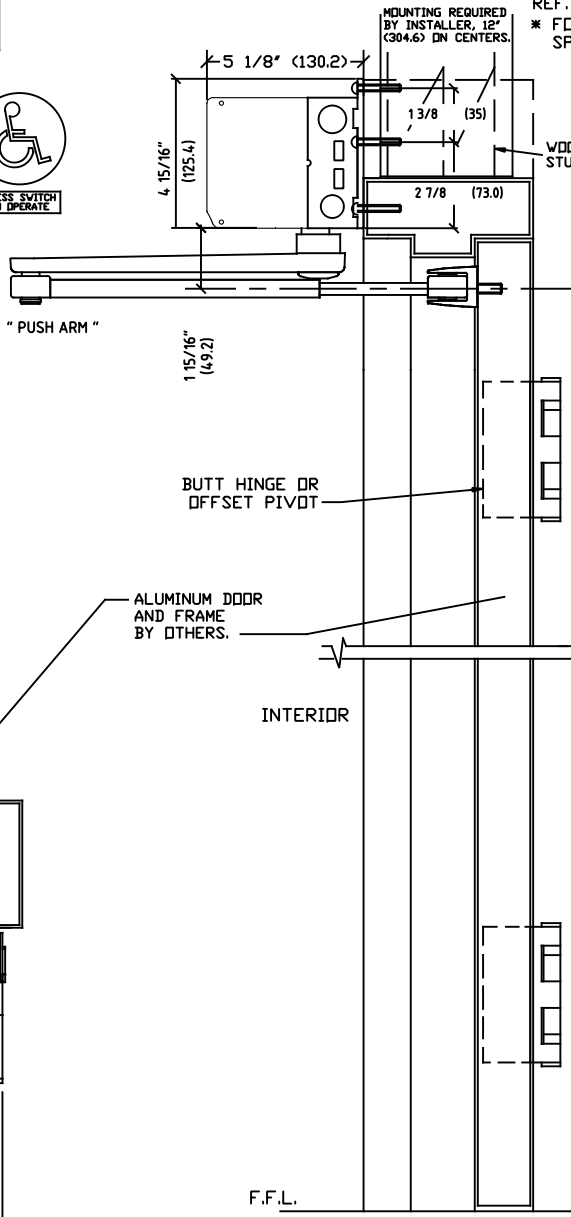
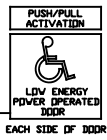
BESAM SW100 - LOW ENERGY  
SURFACE APPLIED PAIR  
SWING DOOR OPERATORS  
" PUSH APPLICATION "



\* ELECTRICAL SERVICE  
120 VAC. 50/60 HZ.  
10A. BY ELEC. CNTR.



INTERIOR ELEVATION



NOTE: DRAWING IS DIMENSIONED IN BOTH ENGLISH AND METRIC. REF. AS FOLLOWS: 1" (25.4). ALL METRIC SIZES ARE IN MILLIMETERS.  
\* FOR MAXIMUM CURRENT DRAW PER OPERATOR, SEE PRODUCT SPECIFICATION OR INSTALLATION INSTRUCTIONS.

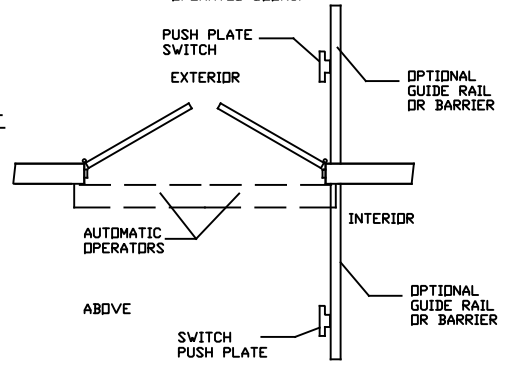
**EXPLANATION OF USE**

**MANUAL** -  
PUSH OR PULL THE DOOR OPEN AND IT CLOSES AS A NORMAL MANUAL DOOR CLOSER.

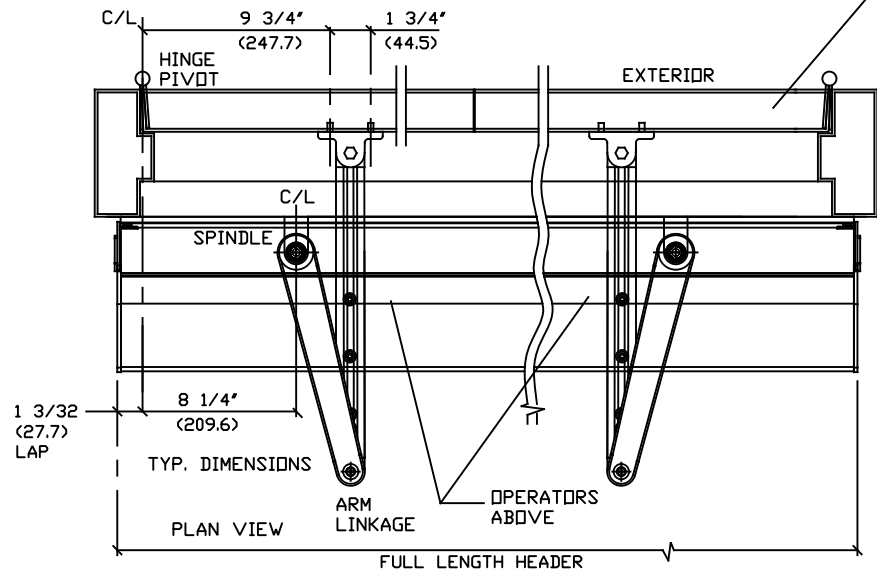
**AUTOMATIC** -  
ACTIVATE THE DOOR BY HANDICAPPED PUSHPLATE AND THE DOOR WILL SLOWLY POWER OPEN, TIME OUT, AND SLOWLY CLOSE.

**PUSH ACTIVATION** - (OPTIONAL)  
PUSH OR PULL THE DOOR AND IT WILL SLOWLY POWER OPEN, TIME OUT, AND SLOWLY CLOSE.

**NOTE** - OPERATIONAL ADJUSTMENTS TO BE IN ACCORDANCE WITH ANSI/BHMA STANDARD FOR LOW ENERGY POWER OPERATED DOORS.



CODE REQUIREMENT  
32"(812.2) MIN. SINGLE DOOR  
CLEAR OPENING WIDTH



PLAN VIEW

FULL LENGTH HEADER

DWG NO. 1015819			
DRN BY	DATE	CHK BY	DATE
MHW	4/24/08	SS	10/26/14
REV.	1.0	DATE	

**ASSA ABLOY**