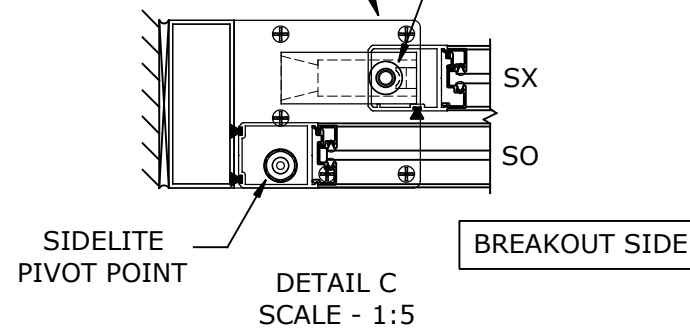


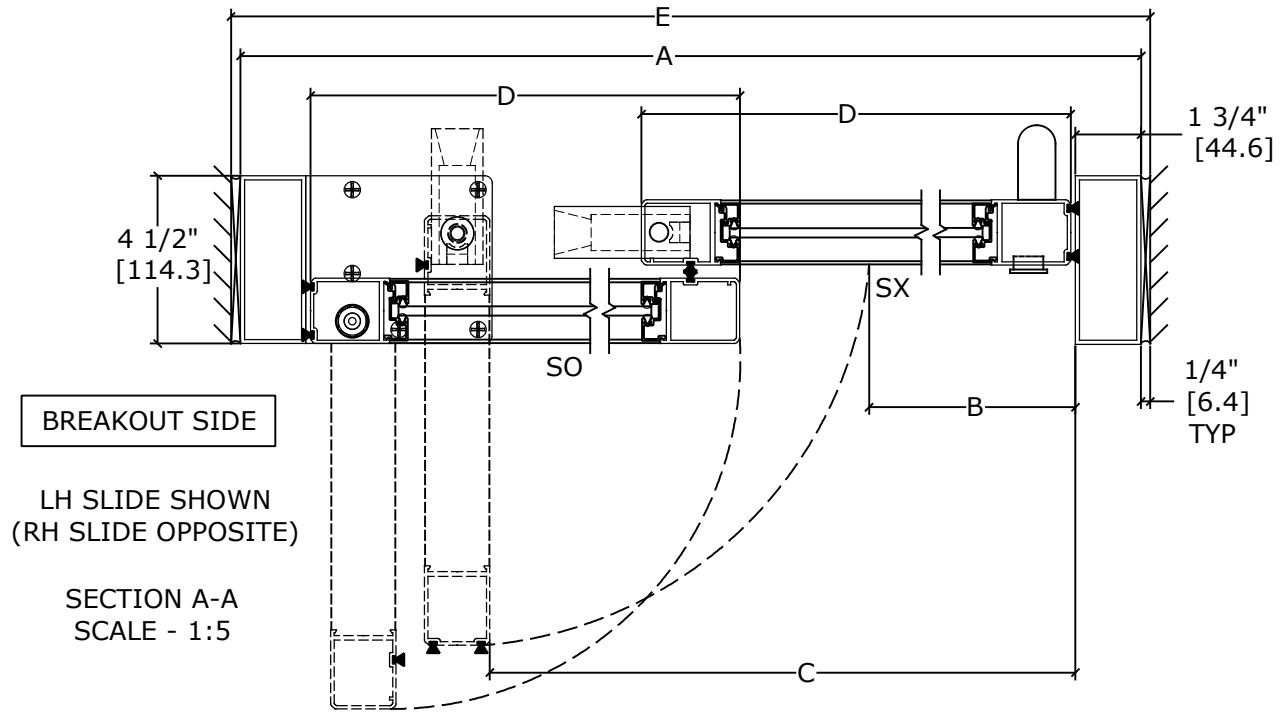
ALL STEEL
CONSTRUCTION
TRACKLESS PIVOT
PLATE WITH CLEAR
ZINC FINISH

ACTIVE LEAF
PIVOT POINT



MODEL NO.	OVERALL FRAME WIDTH (A)	CLEAR DOOR OPENING WIDTH (B)	BREAKOUT OPENING (C)	ACTIVE & SIDELITE LEAF WIDTH (D)	ROUGH OPENING WIDTH (E)
VMS2FBO-7	84" [2133.6]	35 9/16" [903.3]	73 1/4" [1860.5]	41 7/16" [1052.1]	84 1/2" [2146.3]
VMS2FBO-8	96" [2438.4]	① 41 9/16" [1055.7]	85 1/4" [2165.3]	47 7/16" [1204.5]	96 1/2" [2451.1]
VMS2FBO-8-6	102" [2590.8]	② 44 9/16" [1131.9]	91 1/4" [2317.7]	50 7/16" [1280.7]	102 1/2" [2603.5]
VMS2FBO-9	108" [2743.2]	47 9/16" [1208.1]	97 1/4" [2470.1]	53 7/16" [1356.9]	108 1/2" [2755.9]
KEY:		(A/2)-6 7/16" (A/2)-[163.5]	A-10 3/4" A-[273.1]	(A/2)-9/16" (A/2)-[14.7]	A+1/2" A+[12.7]

① - MEETS OR EXCEEDS DIMENSIONAL REQUIREMENTS OF NFPA SECTION 18.2.3.6(1) CODE
② - MEETS OR EXCEEDS DIMENSIONAL REQUIREMENTS OF CBC 2007 1008.1.1 CODE



• DOORS WILL ONLY BREAK OUT WHEN IN THE FULLY OPEN POSITION.

REFER TO RELEVANT [LOCAL, STATE, NATIONAL, OR AHJ] BUILDING CODE FOR MIN DOOR HEIGHT & MIN/MAX WIDTH ALLOWABLE FOR EGRESS REQUIREMENT IN CONJUNCTION WITH TABLE.

NOTES:

STANDARD PACKAGE CONSISTS OF:

- STANDARD FINISH:
CLASS 1, .018MM, CLEAR- AA-M12C22A41
- NARROW STILE RAILS
- 1/4" GLASS STOPS AND BLOCKS
- PULL HANDLE(S) AND RECESSED FINGER PULL(S)
- NURSE ASSIST MAGNETIC CATCHES
- FULL OPENING DAMPENING DEVICE
- FLUSHBOLT-FREE DESIGN

OPTIONS AVAILABLE:

- SPECIAL FINISHES
- PACKAGE WILL ACCEPT UP TO 1 1/4" [31.8] INSULATED GLASS, SEE SHEET AA-13 FOR DETAILS
- 7" & 10" BOTTOM RAILS, SEE SHEET AA-14 FOR DETAILS
- MUNTINS, SEE SHEET AA-14 FOR DETAILS
- SEE SHEET OS-1 FOR ALL OTHER OPTIONS.

DWG NO.	1016197										
DRN BY	DBN	DATE	02/22/17	CHK BY	CLW	DATE	03/03/17	REV.	2.0	DATE	05/24/17