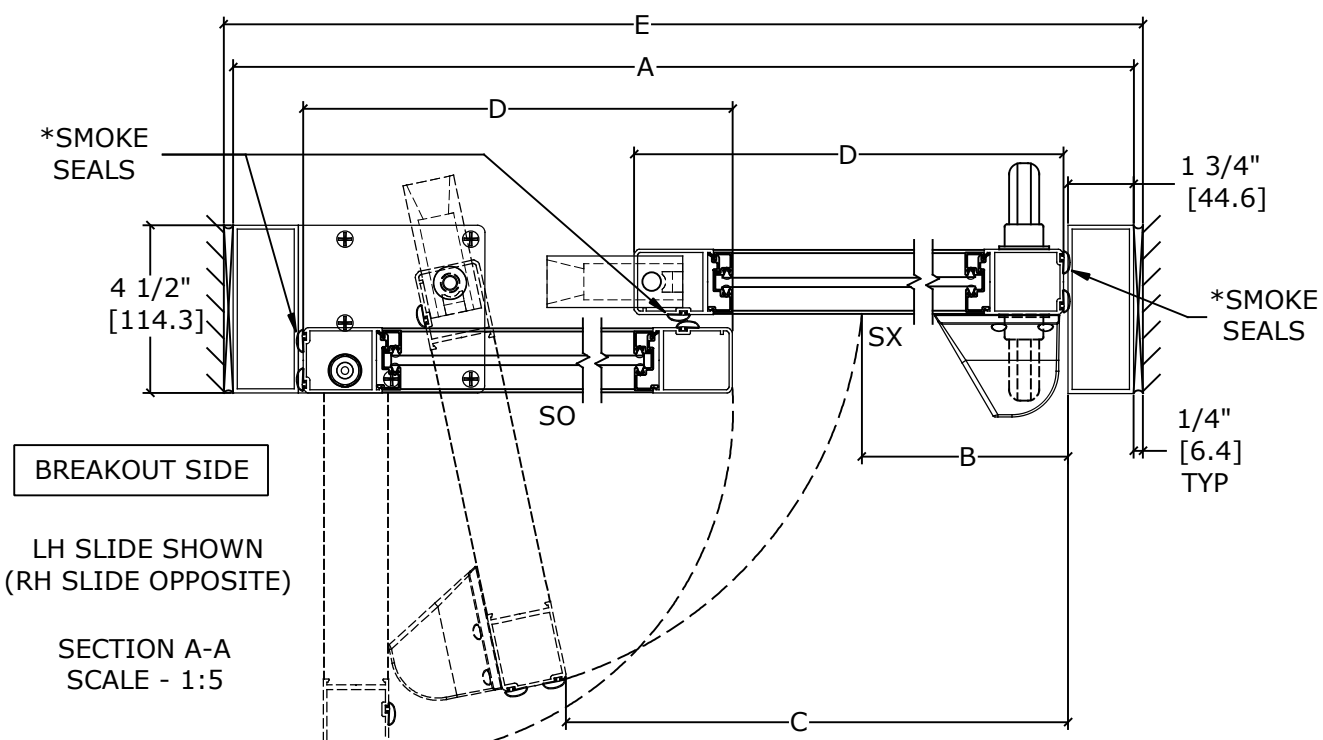
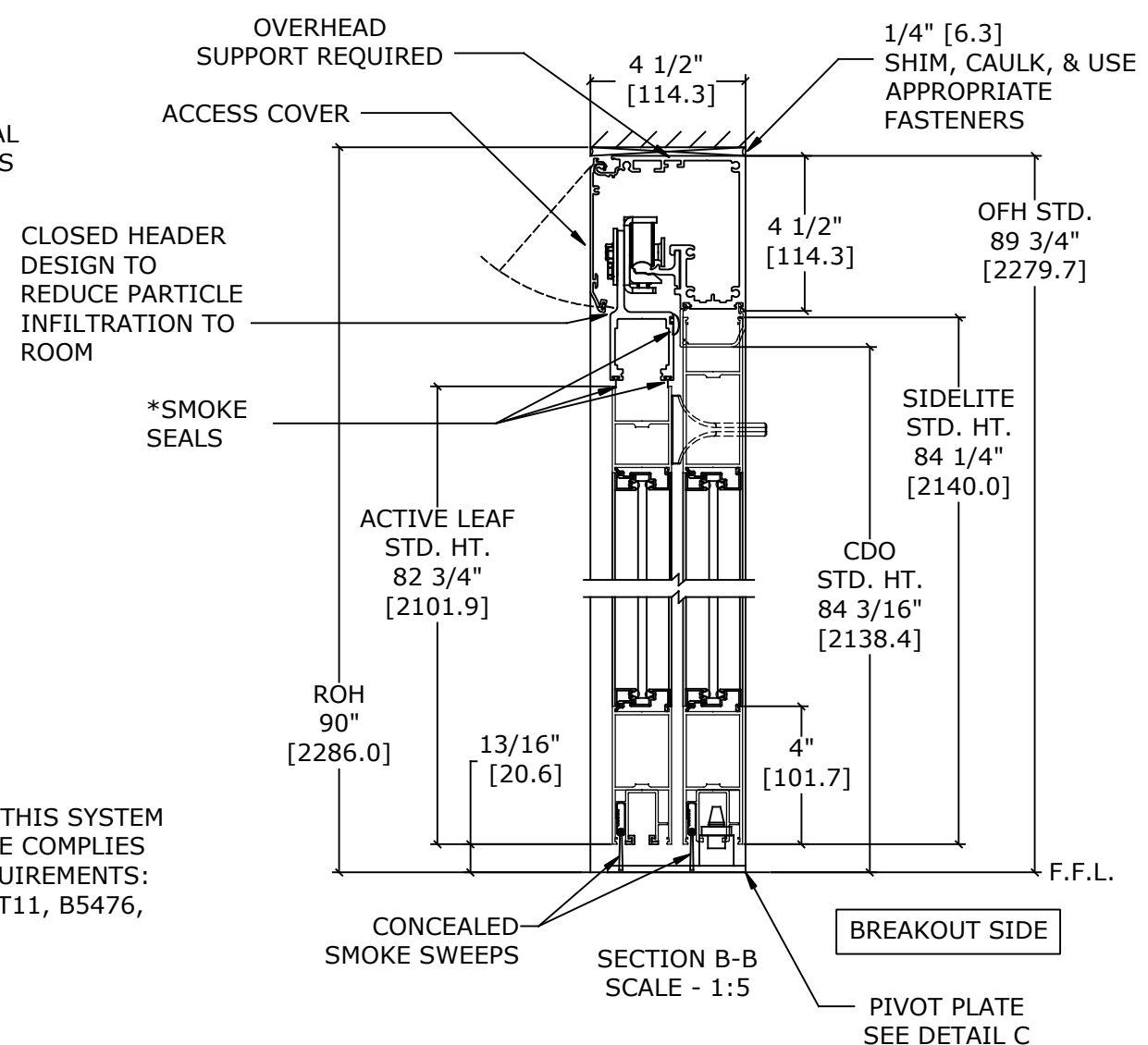
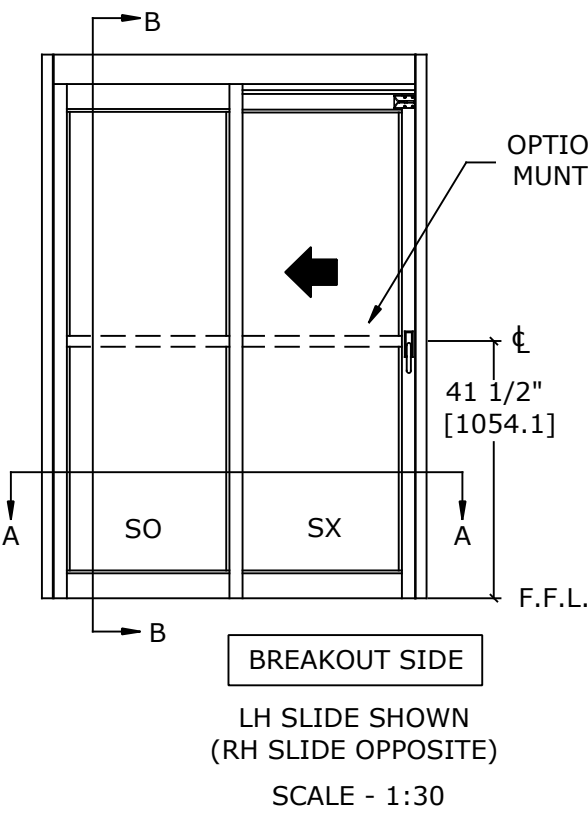


MODEL NO.	OVERALL FRAME WIDTH (A)	CLEAR DOOR OPENING WIDTH (B)	BREAKOUT OPENING (C)	ACTIVE & SIDELITE LEAF WIDTH (D)	ROUGH OPENING WIDTH (E)
VMS2FBO-7	84" [2133.6]	35 9/16" [903.3]	71 5/16" [1811.3]	41 7/16" [1052.1]	84 1/2" [2146.3]
VMS2FBO-8	96" [2438.4]	① 41 9/16" [1055.7]	83 5/16" [2116.1]	47 7/16" [1204.5]	96 1/2" [2451.1]
VMS2FBO-8-6	102" [2590.8]	② 44 9/16" [1131.9]	89 5/16" [2268.5]	50 7/16" [1280.7]	102 1/2" [2603.5]
VMS2FBO-9	108" [2743.2]	47 9/16" [1208.1]	95 5/16" [2420.9]	53 7/16" [1356.9]	108 1/2" [2755.9]
KEY:		(A/2)-6 7/16" (A/2)-[163.5]	A-12 11/16" A-[322.3]	(A/2)-9/16" (A/2)-[14.7]	A+1/2" A+[12.7]

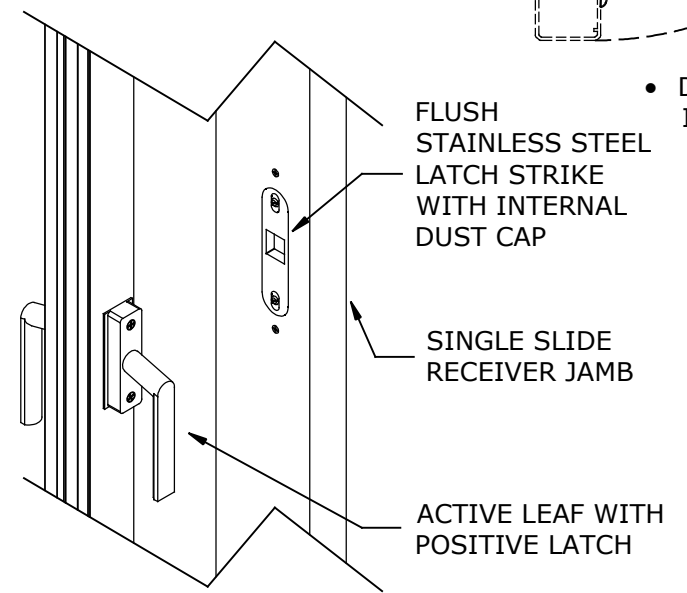
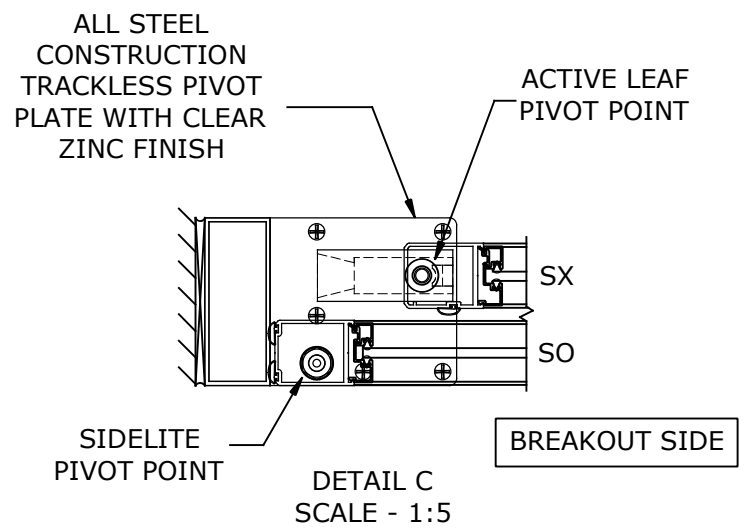
① - MEETS OR EXCEEDS DIMENSIONAL REQUIREMENTS OF NFPA SECTION 18.2.3.6(1) CODE  
② - MEETS OR EXCEEDS DIMENSIONAL REQUIREMENTS OF CBC 2007 1008.1.1 CODE



\* SEALS: FACTORY APPLIED SEALS USED ON THIS SYSTEM TO SLOW OR RESTRICT PASSAGE OF SMOKE COMPLIES TO ONE OR MORE OF THE FOLLOWING REQUIREMENTS: UL1784, ANSI/NFPA105 2007, UBC7-2, PART11, B5476, UL10B, UL10C, UBC7-2 PART 1 & B5476.

- NOTES:**
- STANDARD PACKAGE CONSISTS OF:
- STANDARD FINISH: CLASS 1, .018MM, CLEAR- AA-M12C22A41
  - NARROW STILE RAILS
  - 1/4" GLASS STOPS AND BLOCKS
  - NURSE ASSIST MAGNETIC CATCHES
  - POSITIVE LATCHING
  - SELF-CLOSING, SEE SHEET AA-2 FOR DETAILS
  - CONCEALED SWEEPS
  - SMOKE RATED SEALS
  - FLUSHBOLT-FREE DESIGN

- OPTIONS AVAILABLE:
- SPECIAL FINISHES
  - PACKAGE WILL ACCEPT UP TO 1 1/4" [31.8] INSULATED GLASS, SEE SHEET AA-13 FOR DETAILS
  - 7" & 10" BOTTOM RAILS, SEE SHEET AA-14 FOR DETAILS
  - MUNTINS, SEE SHEET AA-14 FOR DETAILS
  - SEE SHEET OS-1 FOR ALL OTHER OPTIONS.



• DOORS WILL ONLY BREAK OUT WHEN IN THE FULLY OPEN POSITION.

REFER TO RELEVANT [LOCAL, STATE, NATIONAL, OR AHJ] BUILDING CODE FOR MIN DOOR HEIGHT & MIN/MAX WIDTH ALLOWABLE FOR EGRESS REQUIREMENT IN CONJUNCTION WITH TABLE.

DWG NO.	1016198										
DRN BY	DBN	DATE	02/22/17	CHK BY	CLW	DATE	03/03/17	REV.	2.0	DATE	05/24/17