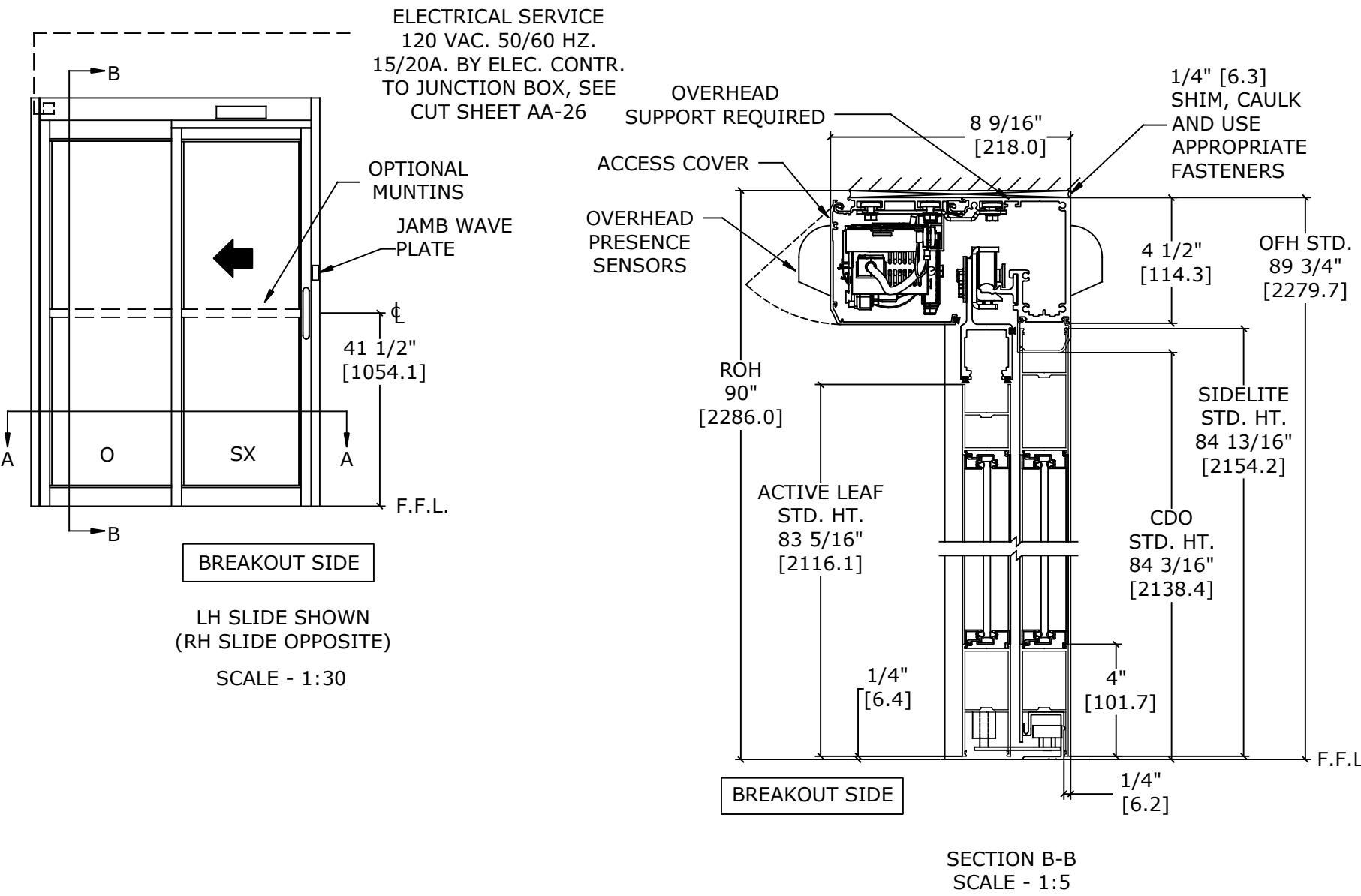
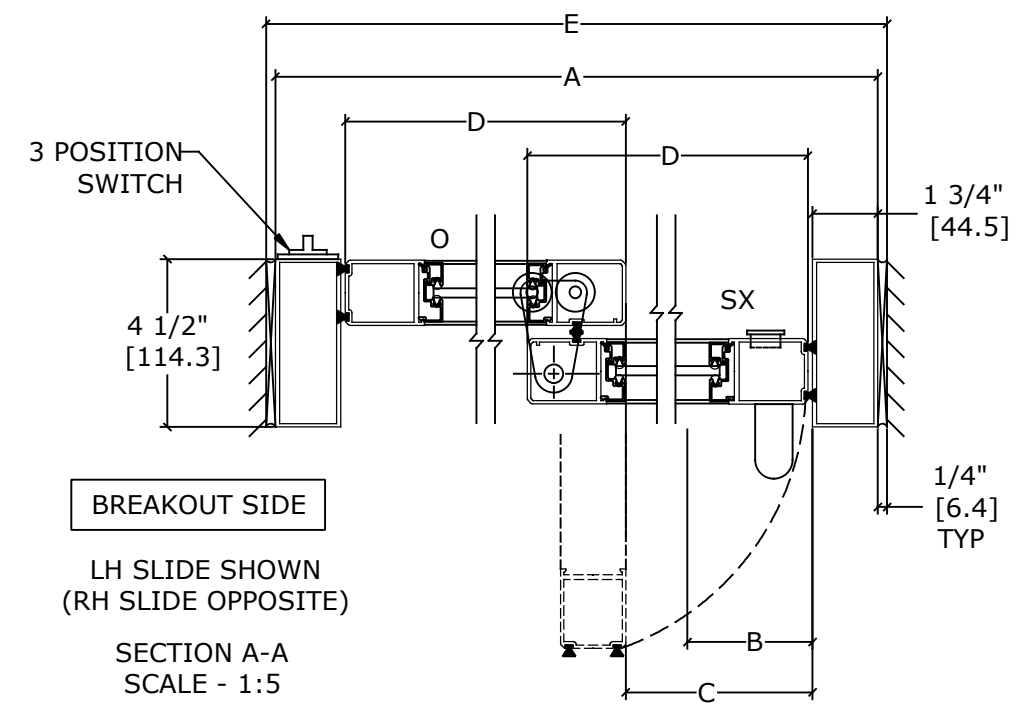


| MODEL NO. | OVERALL FRAME WIDTH (A) | CLEAR DOOR OPENING WIDTH (B) | BREAKOUT OPENING (C) | ACTIVE & SIDELITE LEAF WIDTH (D) | ROUGH OPENING WIDTH (E) |
|--------------|-------------------------|--------------------------------|--------------------------------|----------------------------------|-------------------------|
| VMS2FSLT-7 | 84" [2133.6] | 35 9/16" [903.3] | 38 15/16" [989] | 41 7/16" [1052.5] | 84 1/2" [2146.3] |
| VMS2FSLT-8 | 96" [2438.4] | ① 41 9/16" [1055.7] | 44 15/16" [1141.4] | 47 7/16" [1204.9] | 96 1/2" [2451.1] |
| VMS2FSLT-8-6 | 102" [2590.8] | ② 44 9/16" [1131.9] | 47 15/16" [1217.6] | 50 7/16" [1281.1] | 102 1/2" [2603.5] |
| VMS2FSLT-9 | 108" [2743.2] | 47 9/16" [1208.1] | 50 15/16" [1293.8] | 53 7/16" [1357.3] | 108 1/2" [2755.9] |
| KEY: | | (A/2)-6 7/16" (A/2)-[163.5] | (A/2)- 3 1/16" (A/2)-[77.8] | (A/2)-9/16" (A/2)-[14.3] | A+1/2" A+[12.7] |

① - MEETS OR EXCEEDS DIMENSIONAL REQUIREMENTS OF NFPA SECTION 18.2.3.6(1) CODE
② - MEETS OR EXCEEDS DIMENSIONAL REQUIREMENTS OF CBC 2007 1008.1.1 CODE



SECTION B-B
SCALE - 1:5



SECTION A-A
SCALE - 1:5

• DOORS WILL BREAK OUT IN ANY POSITION

REFER TO RELEVANT [LOCAL, STATE, NATIONAL, OR AHJ] BUILDING CODE FOR MIN DOOR HEIGHT & MIN/MAX WIDTH ALLOWABLE FOR EGRESS REQUIREMENT IN CONJUNCTION WITH TABLE.

- NOTES:**
- STANDARD PACKAGE CONSISTS OF:
- STANDARD FINISH:
CLASS 1, .018MM, CLEAR- AA-M12C22A41
 - NARROW STILE RAILS
 - 1/4" GLASS STOPS AND BLOCKS
 - PULL HANDLE(S) AND RECESSED FINGER PULL(S)
 - NURSE ASSIST MAGNETIC CATCHES
 - OVERHEAD PRESENCE SENSORS
 - JAMB WAVE PLATES, SEE SHEET AA-18 FOR DETAILS
 - 3 POSITION SWITCH (OPEN, AUTO, CLOSED)

- OPTIONS AVAILABLE:
- SPECIAL FINISHES
 - PACKAGE WILL ACCEPT UP TO 1 1/4" [31.8] INSULATED GLASS, SEE SHEET AA-13 FOR DETAILS
 - 7" & 10" BOTTOM RAILS, SEE SHEET AA-14 FOR DETAILS
 - MUNTINS, SEE SHEET AA-14 FOR DETAILS
 - SEE SHEET OS-2 FOR ALL OTHER OPTIONS.

| | | | | | | | | | | | |
|--|---------|------|----------|--------|-----|------|----------|------|-----|------|----------|
| DWG NO. | 1016207 | | | | | | | | | | |
| DRN BY | DBN | DATE | 02/22/17 | CHK BY | CLW | DATE | 03/03/17 | REV. | 2.0 | DATE | 05/24/17 |
| <p style="text-align: center;">ASSA ABLOY</p> | | | | | | | | | | | |