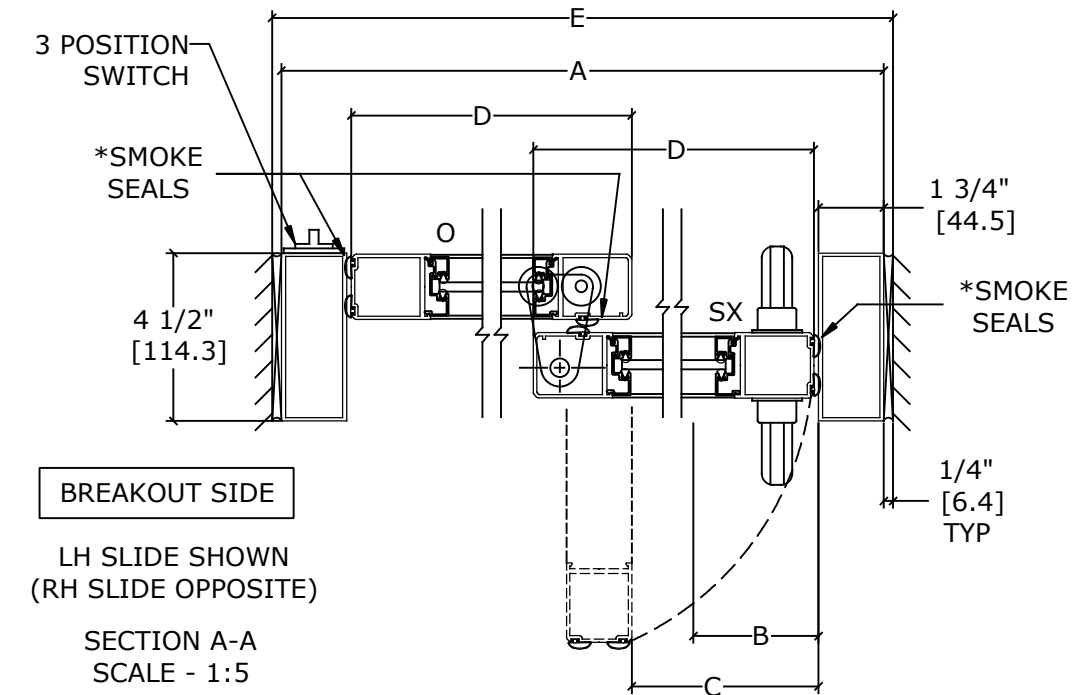
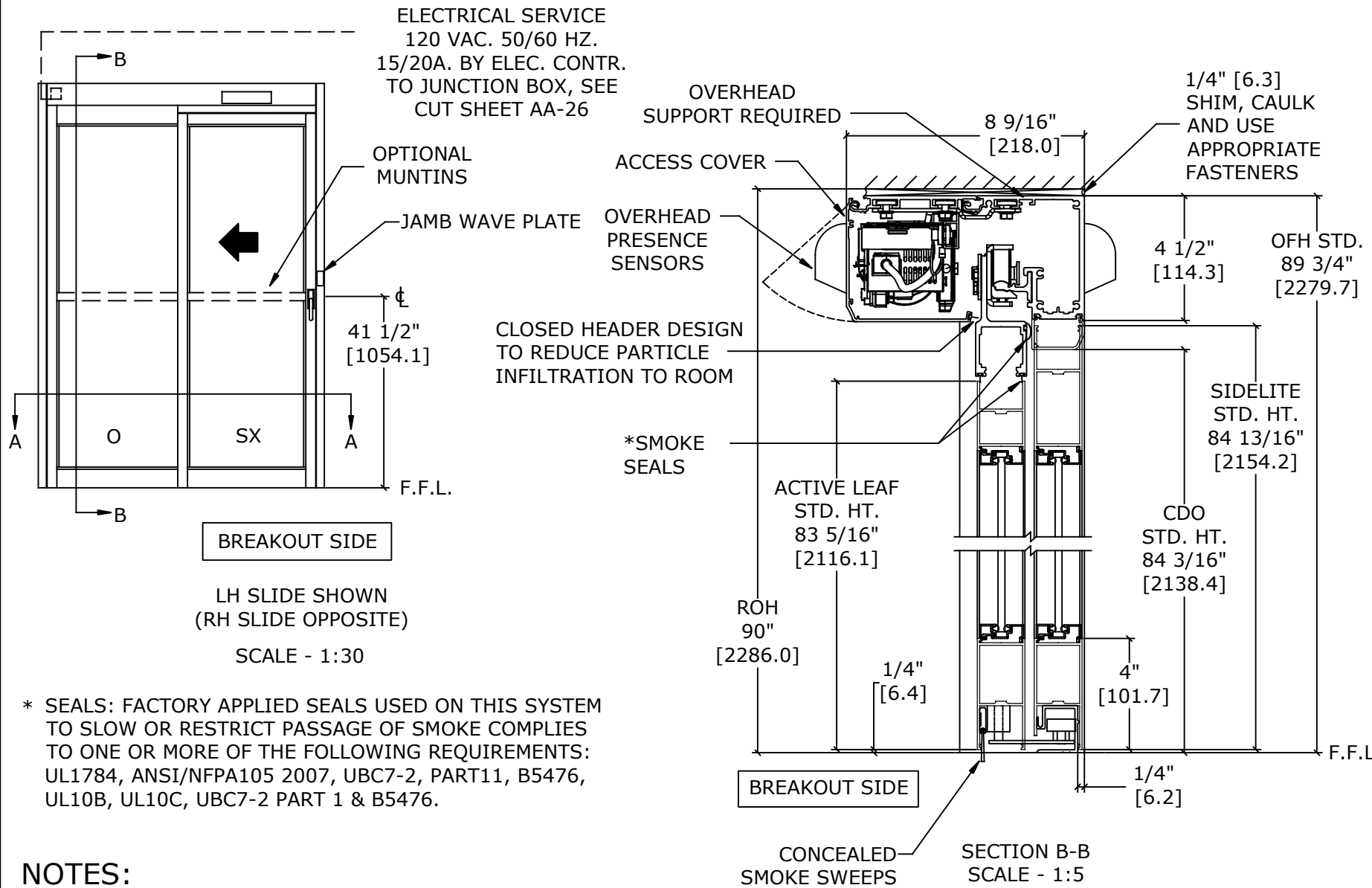


DIMENSIONS FOR 1/4" [6.4] GLASS

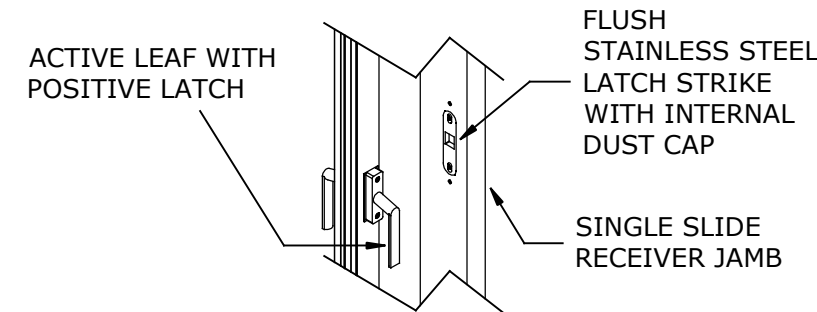
MODEL NO.	OVERALL FRAME WIDTH (A)	CLEAR DOOR OPENING WIDTH (B)	BREAKOUT OPENING (C)	ACTIVE & SIDELITE LEAF WIDTH (D)	ROUGH OPENING WIDTH (E)
VMS2FSLT-7	84" [2133.6]	35 9/16" [903.3]	38 15/16" [989]	41 7/16" [1052.5]	84 1/2" [2146.3]
VMS2FSLT-8	96" [2438.4]	① 41 9/16" [1055.7]	44 15/16" [1141.4]	47 7/16" [1204.9]	96 1/2" [2451.1]
VMS2FSLT-8-6	102" [2590.8]	② 44 9/16" [1131.9]	47 15/16" [1217.6]	50 7/16" [1281.1]	102 1/2" [2603.5]
VMS2FSLT-9	108" [2743.2]	47 9/16" [1208.1]	50 15/16" [1293.8]	53 7/16" [1357.3]	108 1/2" [2755.9]
KEY:		(A/2)-6 7/16" (A/2)-[163.5]	(A/2)- 3 1/16" (A/2)-[77.8]	(A/2)-9/16" (A/2)-[14.3]	A+1/2" A+[12.7]

① - MEETS OR EXCEEDS DIMENSIONAL REQUIREMENTS OF NFPA SECTION 18.2.3.6(1) CODE
② - MEETS OR EXCEEDS DIMENSIONAL REQUIREMENTS OF CBC 2007 1008.1.1 CODE



• DOORS WILL BREAK OUT IN ANY POSITION

REFER TO RELEVANT [LOCAL, STATE, NATIONAL, OR AHJ] BUILDING CODE FOR MIN DOOR HEIGHT & MIN/MAX WIDTH ALLOWABLE FOR EGRESS REQUIREMENT IN CONJUNCTION WITH TABLE.



DWG NO. 1016208

DRN BY	DBN	DATE	02/22/17	CHK BY	CLW	DATE	03/03/17	REV.	2.0	DATE	05/24/17
--------	-----	------	----------	--------	-----	------	----------	------	-----	------	----------

ASSA ABLOY

* SEALS: FACTORY APPLIED SEALS USED ON THIS SYSTEM TO SLOW OR RESTRICT PASSAGE OF SMOKE COMPLIES TO ONE OR MORE OF THE FOLLOWING REQUIREMENTS: UL1784, ANSI/NFPA105 2007, UBC7-2, PART11, B5476, UL10B, UL10C, UBC7-2 PART 1 & B5476.

NOTES:

- STANDARD PACKAGE CONSISTS OF:
- STANDARD FINISH: CLASS 1, .018MM, CLEAR- AA-M12C22A41
 - NARROW STILE RAILS
 - 1/4" GLASS STOPS AND BLOCKS
 - POSITIVE LATCHING
 - NURSE ASSIST MAGNETIC CATCHES
 - OVERHEAD PRESENCE SENSORS
 - JAMB WAVE PLATES, SEE SHEET AA-18 FOR DETAILS
 - 3 POSITION SWITCH (OPEN, AUTO, CLOSED)
 - CONCEALED SWEEPS
 - SMOKE RATED SEALS

- OPTIONS AVAILABLE:
- SPECIAL FINISHES
 - PACKAGE WILL ACCEPT UP TO 1 1/4" [31.8] INSULATED GLASS, SEE SHEET AA-13 FOR DETAILS
 - 7" & 10" BOTTOM RAILS, SEE SHEET AA-14 FOR DETAILS
 - MUNTINS, SEE SHEET AA-14 FOR DETAILS
 - SEE SHEET OS-2 FOR ALL OTHER OPTIONS.