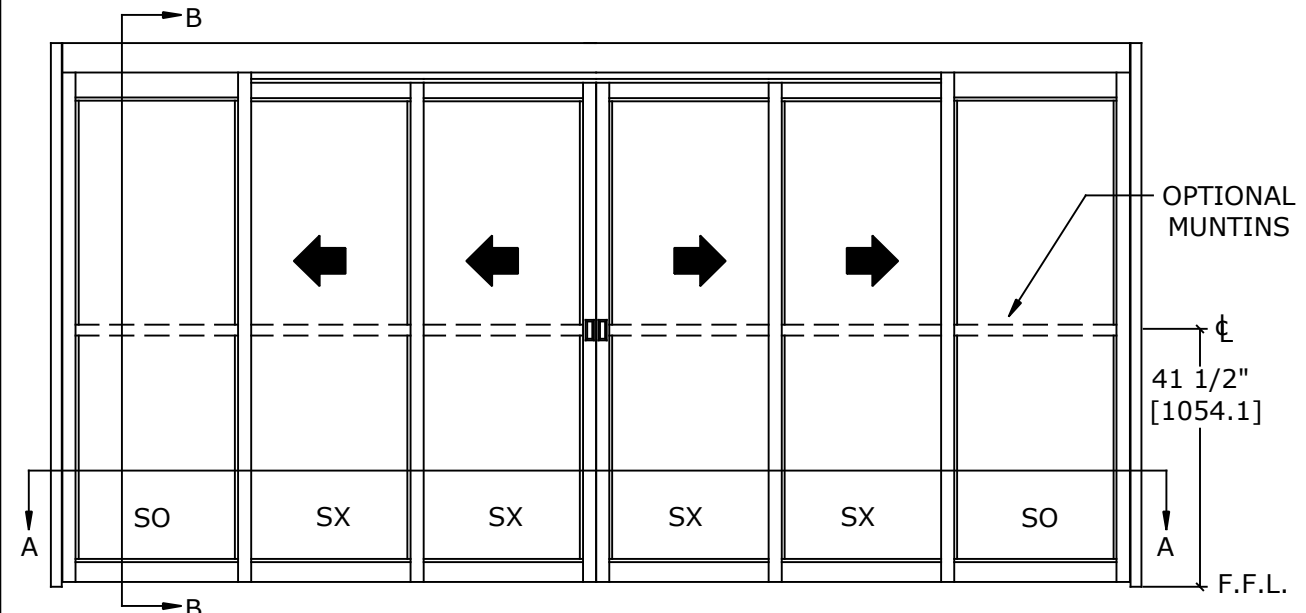


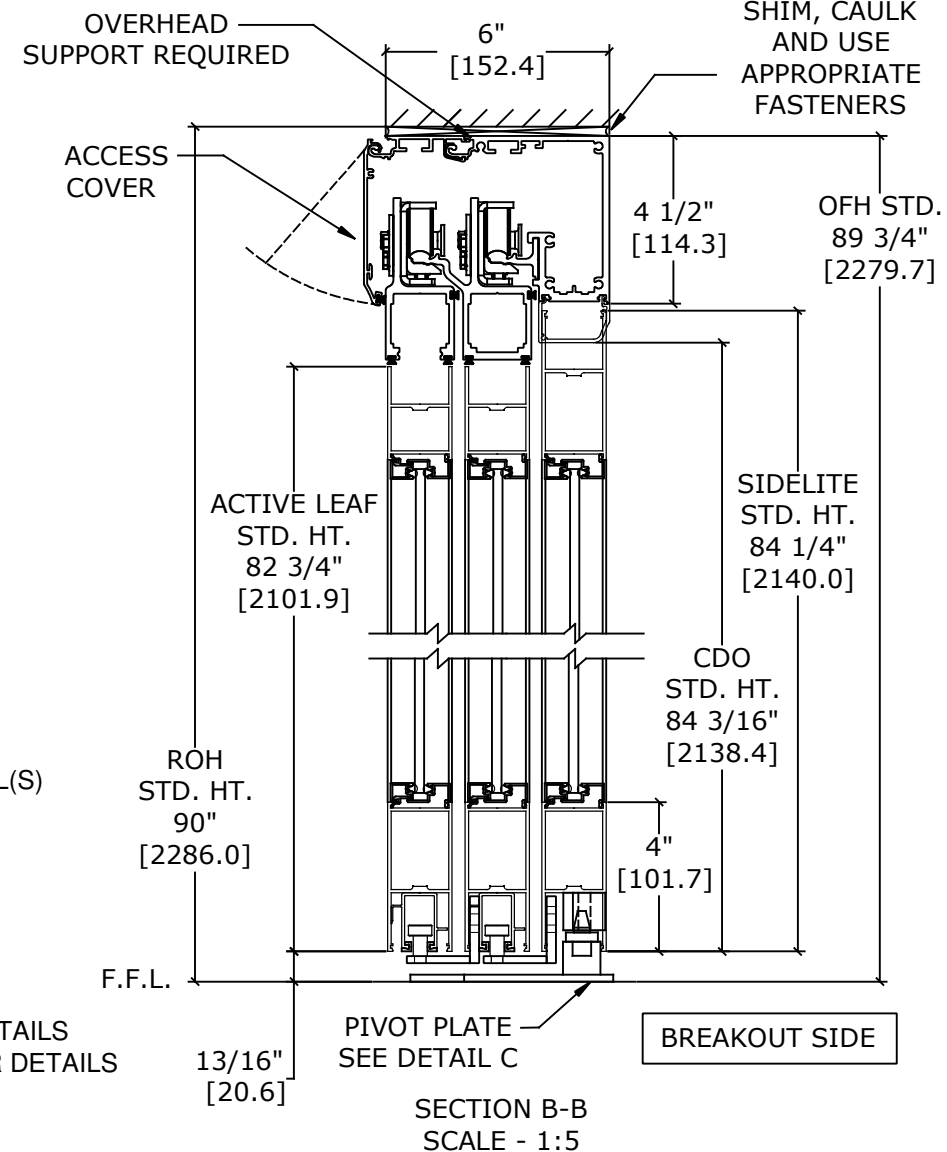
MODEL NO.	OVERALL FRAME WIDTH (A)	CLEAR DOOR OPENING (B)	BREAKOUT OPENING (C)	ACTIVE & SIDELITE LEAF WIDTH (D)	ROUGH OPENING WIDTH (E)
VMT6FBO-10	120" [3048.0]	61 13/16" [1569.6]	96 1/2" [2451.1]	21 1/16" [535.0]	120 1/2" [3060.7]
VMT6FBO-12	144" [3657.6]	77 13/16" [1976.0]	120 1/2" [3060.7]	25 1/16" [636.6]	144 1/2" [3670.3]
VMT6FBO-14	168" [4267.2]	93 13/16" [2382.4]	144 1/2" [3670.3]	29 1/16" [738.2]	168 1/2" [4279.9]
KEY:		(2*A/3)-18 3/16" (2*A/3)-[462.4]	A-23 1/2" A-[596.9]	(A/6)+ 1 1/16" (A/6)+[27.0]	A+1/2" A+[12.7]

CONSULT FACTORY FOR ALL CUSTOM CONFIGURATION SIZES OR SIZES OVER 12'.



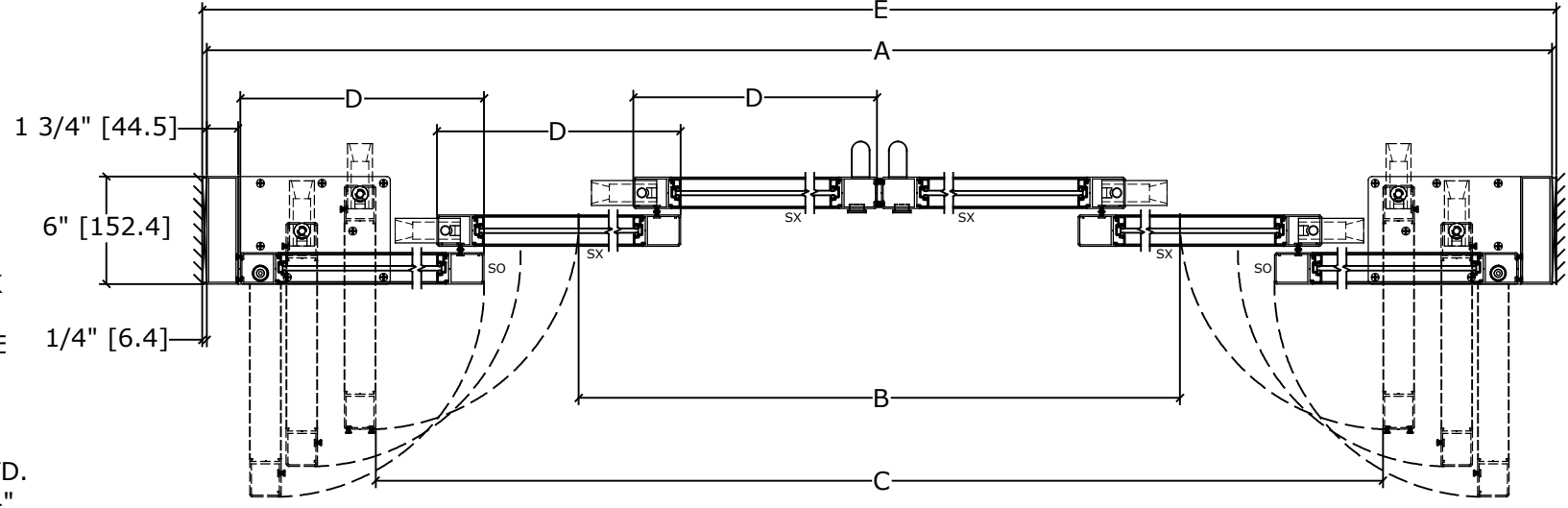
BREAKOUT SIDE

SCALE - 1:30



BREAKOUT SIDE

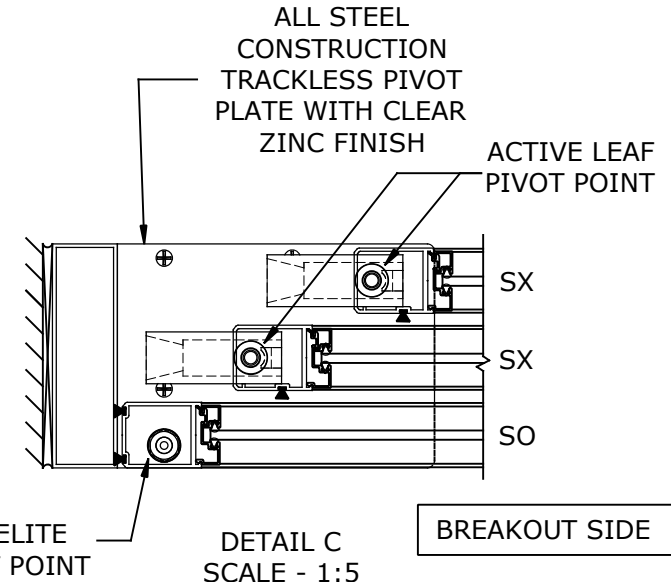
SECTION B-B
SCALE - 1:5



BREAKOUT SIDE

SECTION A-A
SCALE - 1:10

• DOORS WILL ONLY BREAK OUT WHEN IN THE FULLY OPEN POSITION.



BREAKOUT SIDE

DETAIL C
SCALE - 1:5

REFER TO RELEVANT [LOCAL, STATE, NATIONAL, OR AHJ] BUILDING CODE FOR MIN DOOR HEIGHT & MIN/MAX WIDTH ALLOWABLE FOR EGRESS REQUIREMENT IN CONJUNCTION WITH TABLE.

DWG NO.	1016217										
DRN BY	DBN	DATE	02/22/17	CHK BY	CLW	DATE	03/03/17	REV.	2.0	DATE	05/24/17

- NOTES:**
- STANDARD PACKAGE CONSISTS OF:
- STANDARD FINISH: CLASS 1, .018MM, CLEAR- AA-M12C22A41
 - NARROW STILE RAILS
 - 1/4" GLASS STOPS AND BLOCKS
 - PULL HANDLE(S) AND RECESSED FINGER PULL(S)
 - NURSE ASSIST MAGNETIC CATCHES
 - FULL OPENING DAMPENING DEVICE
 - FLUSHBOLT-FREE DESIGN
- OPTIONS AVAILABLE:
- SPECIAL FINISHES
 - PACKAGE WILL ACCEPT UP TO 1 1/4" [31.8] INSULATED GLASS, SEE SHEET AA-13 FOR DETAILS
 - 7" & 10" BOTTOM RAILS, SEE SHEET AA-14 FOR DETAILS
 - MUNTINS, SEE SHEET AA-14 FOR DETAILS
 - SEE SHEET OS-1 FOR ALL OTHER OPTIONS.