

ASSA ABLOY

ASSA ABLOY ENTRANCE SYSTEMS
1900 AIRPORT ROAD
MONROE, NC 28110
PHONE: 1-866-237-2687
SPECDESK.NA.AAES@ASSAABLOY.COM

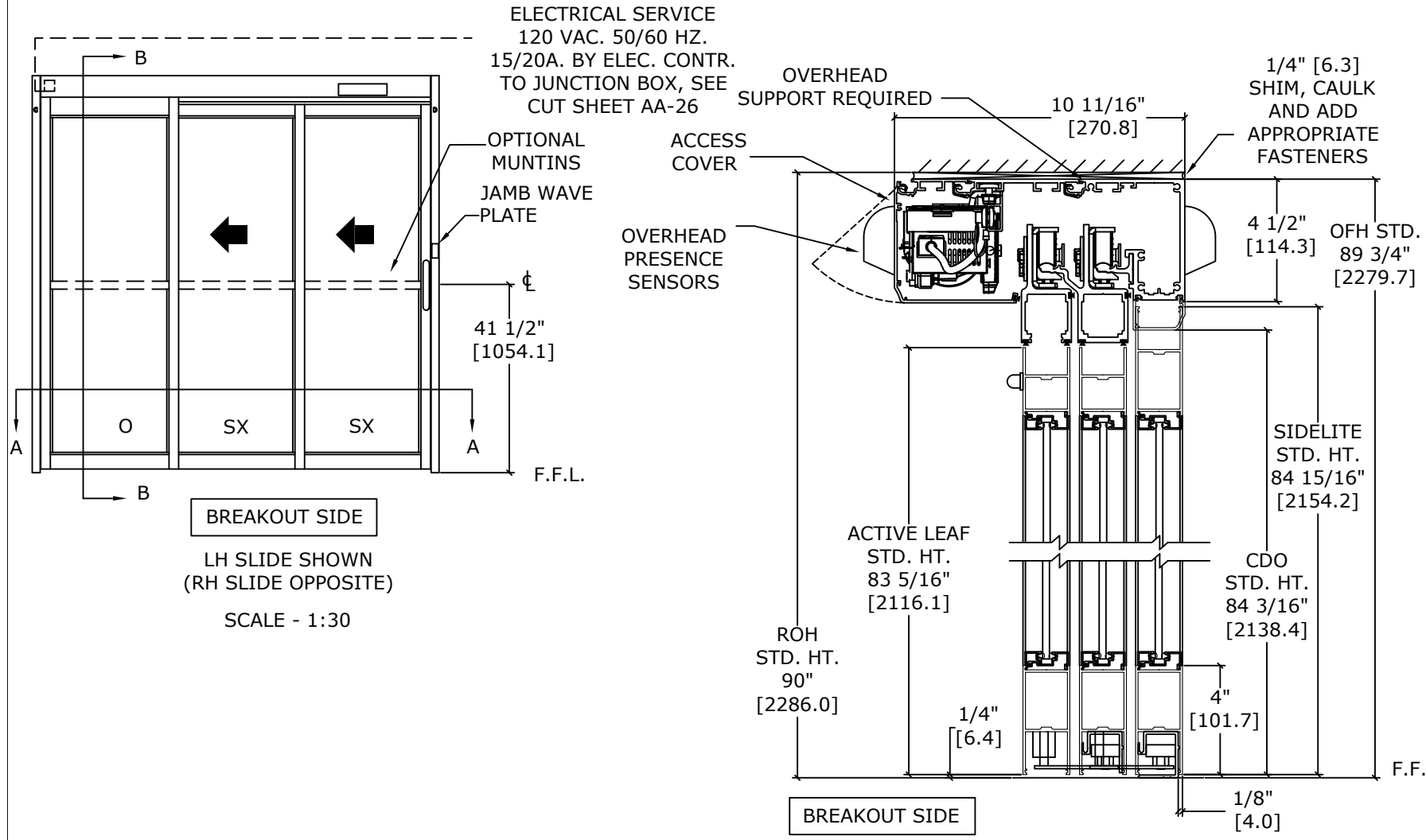
ASSA ABLOY VERSAMAX TOUCHLESS ICU

OVERHEAD CONCEALED FIXED SIDELITE TRACKLESS
NARROW STILE TELESCOPIC EQUAL PANEL SLIDING DOOR SYSTEM

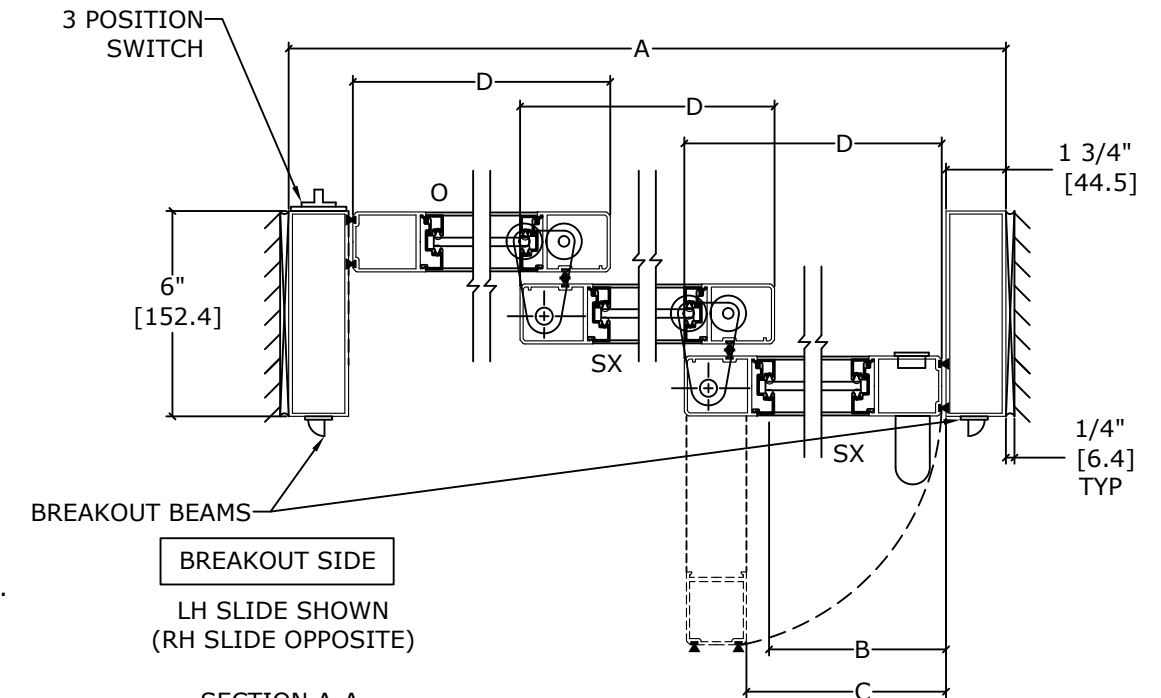
DIMENSIONS FOR 1/4" [6.4] GLASS

MODEL NO.	OVERALL FRAME WIDTH (A)	CLEAR DOOR OPENING (B)	BREAKOUT OPENING (C)	ACTIVE & SIDELITE LEAF WIDTH (D)	ROUGH OPENING WIDTH (E)
VMT3FSLT-8	96" [2438.4]	53 3/4" [1365.3]	56 1/4" [1428.8]	32 1/2" [825.5]	96 1/2" [2451.1]
VMT3FSLT-10	120" [3048.0]	69 3/4" [1771.7]	72 1/4" [1835.2]	40 1/2" [1028.7]	120 1/2" [3060.7]
VMT3FSLT-12	144" [3657.6]	85 3/4" [2178.1]	88 1/4" [2241.6]	48 1/2" [1231.9]	144 1/2" [3670.3]
KEY:		(2*A/3)-10 1/4" (2*A/3)-[260.4]	(2*A/3)- 7 3/4" (2*A/3)-[196.9]	(A/3)+ 1/2" (A/3)+[12.7]	A+1/2" A+[12.7]

CONSULT FACTORY FOR ALL CUSTOM CONFIGURATION SIZES OR SIZES OVER 12'.



SECTION B-B
SCALE - 1:5



SECTION A-A
SCALE - 1:5

• DOORS WILL BREAK OUT IN ANY POSITION

REFER TO RELEVANT [LOCAL, STATE, NATIONAL, OR AHJ] BUILDING CODE FOR MIN DOOR HEIGHT & MIN/MAX WIDTH ALLOWABLE FOR EGRESS REQUIREMENT IN CONJUNCTION WITH TABLE.

NOTES:

STANDARD PACKAGE CONSISTS OF:

- STANDARD FINISH: CLASS 1, .018MM, CLEAR- AA-M12C22A41
- NARROW STILE RAILS
- 1/4" GLASS STOPS AND BLOCKS
- PULL HANDLE(S) AND RECESSED FINGER PULL(S)
- NURSE ASSIST MAGNETIC CATCHES
- OVERHEAD PRESENCE SENSORS
- JAMB WAVE PLATES, SEE SHEET AA-18 FOR DETAILS
- 3 POSITION SWITCH (OPEN, AUTO, CLOSED)

OPTIONS AVAILABLE:

- SPECIAL FINISHES
- PACKAGE WILL ACCEPT UP TO 1 1/4" [31.8] INSULATED GLASS, SEE SHEET AA-13 FOR DETAILS
- 7" & 10" BOTTOM RAILS, SEE SHEET AA-14 FOR DETAILS
- MUNTINS, SEE SHEET AA-14 FOR DETAILS
- SEE SHEET OS-2 FOR ALL OTHER OPTIONS.

DWG NO.	1016223				
DRN BY	DBN	DATE	02/22/17	CHK BY	CLW
		DATE	03/03/18	REV.	3.0
		DATE	03/03/18		

ASSA ABLOY