

ASSA ABLOY

ASSA ABLOY ENTRANCE SYSTEMS
1900 AIRPORT ROAD
MONROE, NC 28110
PHONE: 1-866-237-2687
SPECDESK.NA.AAES@ASSAABLOY.COM

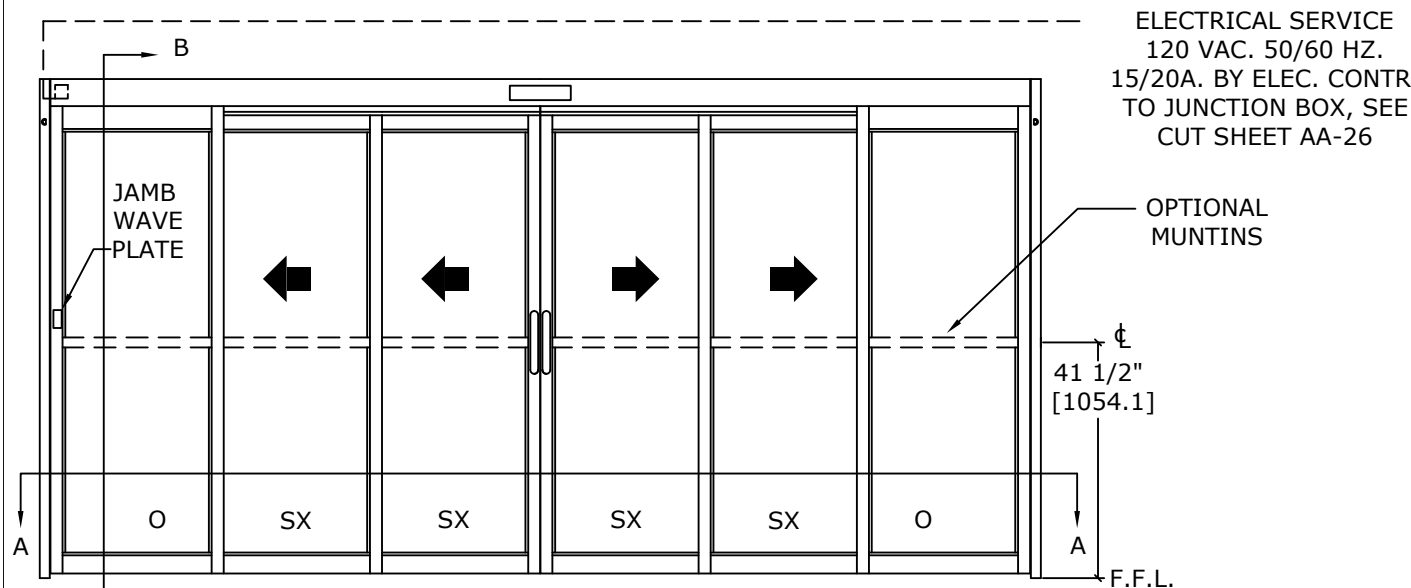
ASSA ABLOY VERSAMAX TOUCHLESS ICU

OVERHEAD CONCEALED FIXED SIDELITE TRACKLESS BI-PART
NARROW STILE TELESCOPIC EQUAL PANEL SLIDING DOOR SYSTEM

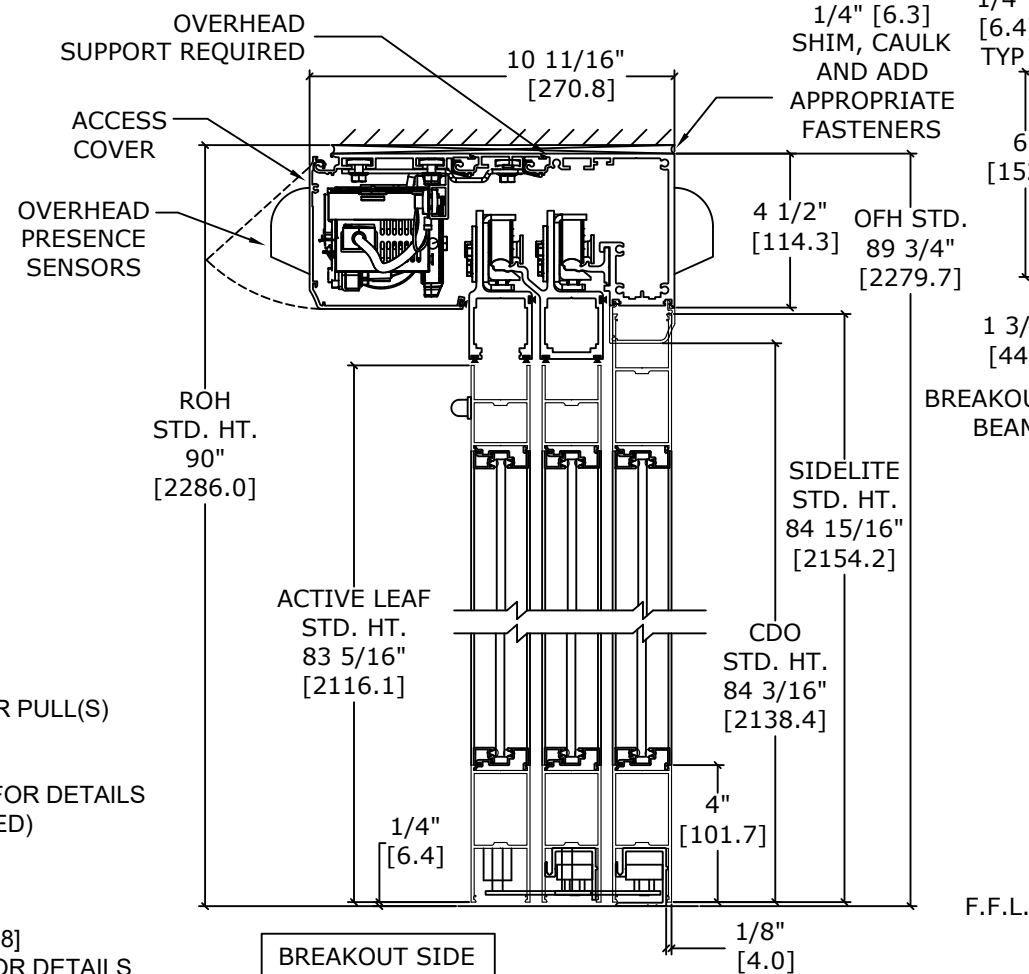
DIMENSIONS FOR 1/4" [6.4] GLASS

MODEL NO.	OVERALL FRAME WIDTH (A)	CLEAR DOOR OPENING (B)	BREAKOUT OPENING (C)	ACTIVE & SIDELITE LEAF WIDTH (D)	ROUGH OPENING WIDTH (E)
VMT6FSL-10	120" [3048.0]	61 13/16" [1570.0]	66 13/16" [1697]	21 1/16" [535.0]	120 1/2" [3060.7]
VMT6FSL-12	144" [3657.6]	77 13/16" [1976.4]	82 13/16" [2103.4]	25 1/16" [636.6]	144 1/2" [3670.3]
VMT6FSL-14	168" [4267.2]	93 13/16" [2382.8]	98 13/16" [2509.8]	29 1/16" [738.2]	168 1/2" [4279.9]
KEY:		(2*A/3)-18 3/16" (2*A/3)-[462.0]	(2*A/3)-13 3/16" (2*A/3)-[335]	(A/6)+1 1/16" (A/6)+[27.0]	A+1/2" A+[12.7]

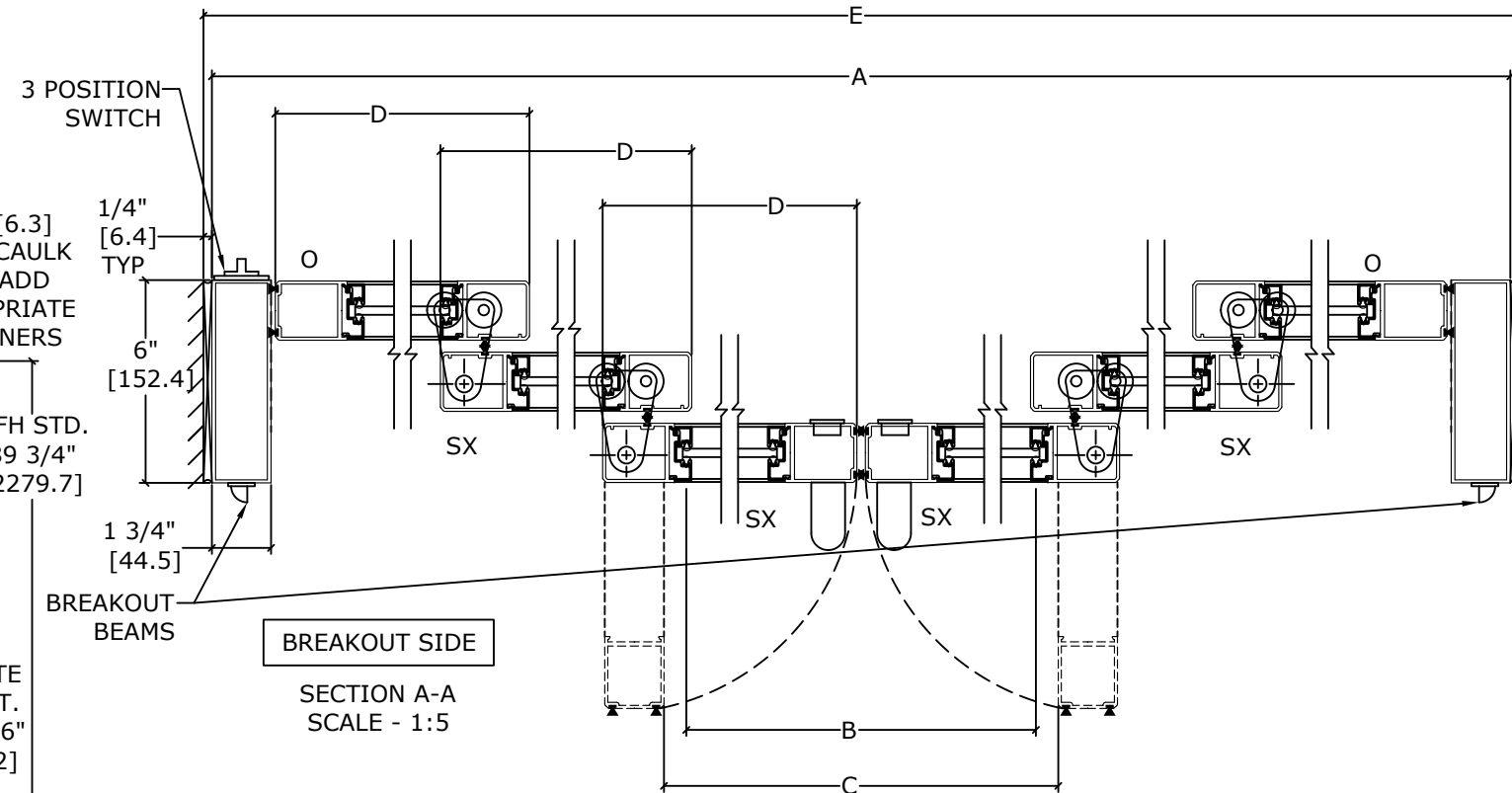
CONSULT FACTORY FOR ALL CUSTOM CONFIGURATION SIZES OR SIZES OVER 12'.



BREAKOUT SIDE
SCALE - 1:30



BREAKOUT SIDE
SECTION B-B
SCALE - 1:5



NOTES:

STANDARD PACKAGE CONSISTS OF:

- STANDARD FINISH:
CLASS 1, .018MM, CLEAR- AA-M12C22A41
- NARROW STILE RAILS
- 1/4" GLASS STOPS AND BLOCKS
- PULL HANDLE(S) AND RECESSED FINGER PULL(S)
- NURSE ASSIST MAGNETIC CATCHES
- OVERHEAD PRESENCE SENSORS
- JAMB WAVE PLATES, SEE SHEET AA-18 FOR DETAILS
- 3 POSITION SWITCH (OPEN, AUTO, CLOSED)

OPTIONS AVAILABLE:

- SPECIAL FINISHES
- PACKAGE WILL ACCEPT UP TO 1 1/4" [31.8]
- INSULATED GLASS, SEE SHEET AA-13 FOR DETAILS
- 7" & 10" BOTTOM RAILS, SEE SHEET AA-14 FOR DETAILS
- MUNTINS, SEE SHEET AA-14 FOR DETAILS
- SEE SHEET OS-2 FOR ALL OTHER OPTIONS.

REFER TO RELEVANT [LOCAL, STATE, NATIONAL, OR AHJ] BUILDING CODE FOR MIN DOOR HEIGHT & MIN/MAX WIDTH ALLOWABLE FOR EGRESS REQUIREMENT IN CONJUNCTION WITH TABLE.

DWG NO.	1016227
DRN BY	DBN
DATE	02/22/17
CHK BY	CLW
DATE	03/03/18
REV.	3.0
DATE	03/03/18

ASSA ABLOY