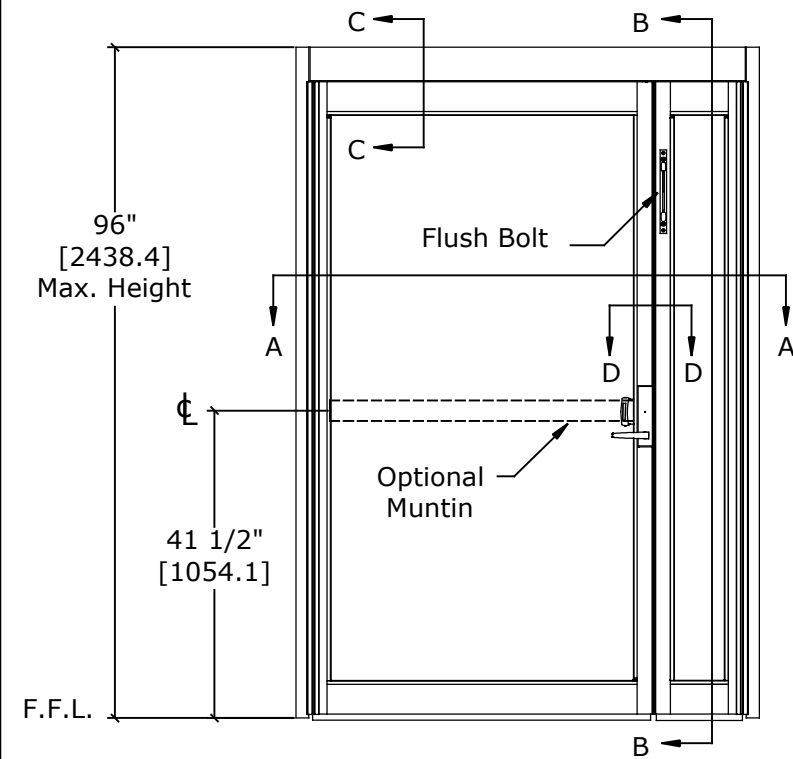


ASSA ABLOY VERSAMAX ICU UNEQUAL PAIR UL 1784 SMOKE CERTIFIED MANUAL SWING DOOR SYSTEM

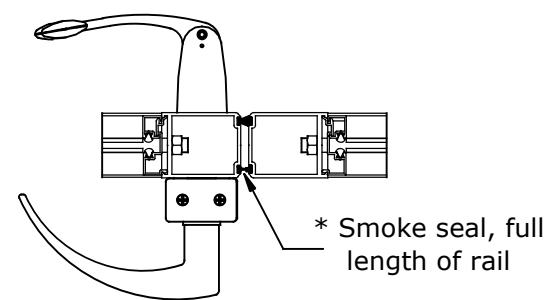
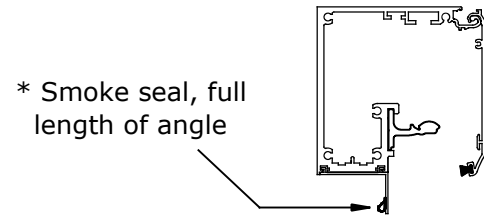
DIMENSIONS FOR 1/4" [6.4] GLASS

MODEL NO.	ROUGH OPENING WIDTH (A)	OVERALL FRAME WIDTH (B)	CLEAR DOOR OPENING (C)	ACTIVE WIDTH (D)	AUXILIARY WIDTH [ⓐ] (E)
VMSWUP-5-4	64" [1625.6]	63 1/2" [1612.9]	55" [1397.0]	36" [914.4]	24" [609.6]
VMSWUP-5-10	70" [1778.0]	69 1/2" [1765.3]	61" [1549.4]	42" [1066.8]	24" [609.6]
VMSWUP-6-4	76" [1930.4]	75 1/2" [1917.7]	67" [1701.8]	48" [1219.2]	24" [609.6]

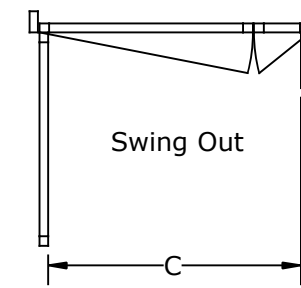
ⓐ - MIN. AUXILIARY WIDTH = 12" [304.8],
MAX. AUXILIARY WIDTH = 48" [1219.2]



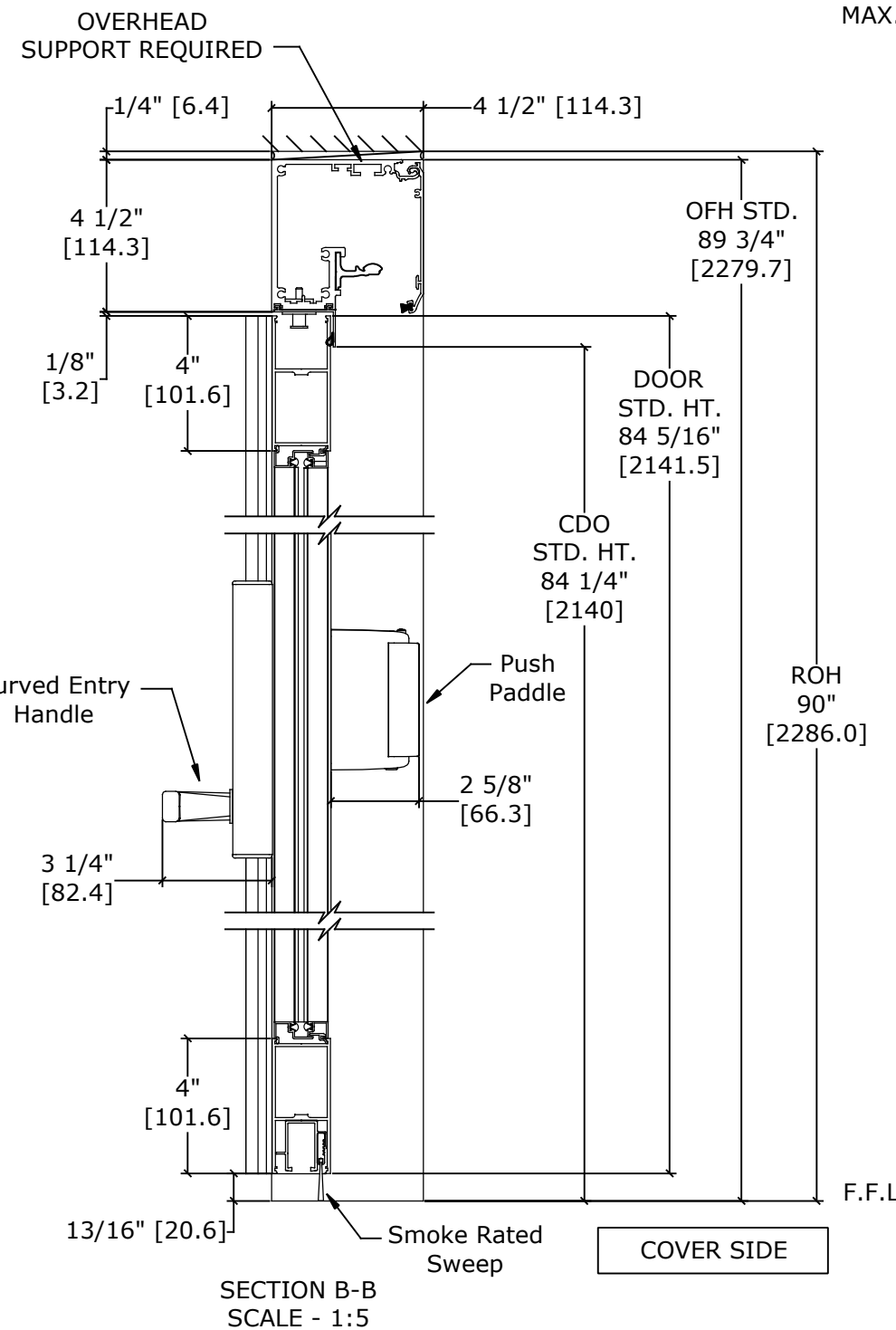
RH Unequal Panel Shown
(LH Opposite)
SCALE - 1:25



SECTION D-D SCALE - 1:5



TOP VIEW SCALE - 1:30



SECTION B-B SCALE - 1:5

NOTES

THE STANDARD PACKAGE CONSISTS OF:

- ICU HEADER
- NARROW STILE RAILS
- 1/4" GLASS STOPS AND BLOCKS
- AN ACTIVE DOOR PANEL WITH A CURVED HANDLE TO THE EXTERIOR AND PUSH PADDLE TO THE INTERIOR
- AN AUXILIARY DOOR WITH A FLUSH BOLT TO THE EXTERIOR
- CONTINUOUS HINGES
- SMOKE RATED SEALS AND SWEEPS
- STANDARD FINISH: CLASS 1, .018MM, CLEAR- AA-M12C22A41

OPTIONS INCLUDE:

- SPECIAL FINISHES
- MUNTINS, SEE SHEET AA-14 FOR DETAILS
- MEDIUM STILE CONSTRUCTION
- 7" AND 10" BOTTOM RAILS, SEE SHEET AA-14 FOR DETAILS
- PACKAGE WILL ACCEPT UP TO 1 1/4" [31.8] INSULATED GLASS, SEE SHEET AA-13 FOR DETAILS
- LOW PROFILE HEADER, SEE SHEET AA-19 FOR DETAILS
- SEE SHEET OS-4 FOR ALL OTHER OPTIONS.

REFER TO RELEVANT [LOCAL, STATE, NATIONAL, OR AHJ] BUILDING CODE FOR MIN DOOR HEIGHT & MIN/MAX WIDTH ALLOWABLE FOR EGRESS REQUIREMENT IN CONJUNCTION WITH TABLE.

DWG NO.	1016229										
DRN BY	DBN	DATE	02/22/17	CHK BY	CLW	DATE	03/03/17	REV.	2.0	DATE	05/24/17

* SEALS: FACTORY APPLIED SEALS USED ON THIS SYSTEM TO SLOW OR RESTRICT PASSAGE OF SMOKE COMPLIES TO ONE OR MORE OF THE FOLLOWING REQUIREMENTS: UL1784, ANSI/NFPA105 2007, UBC7-2, PART11, B5476, UL10B, UL10C, UBC7-2 PART 1 & B5476.