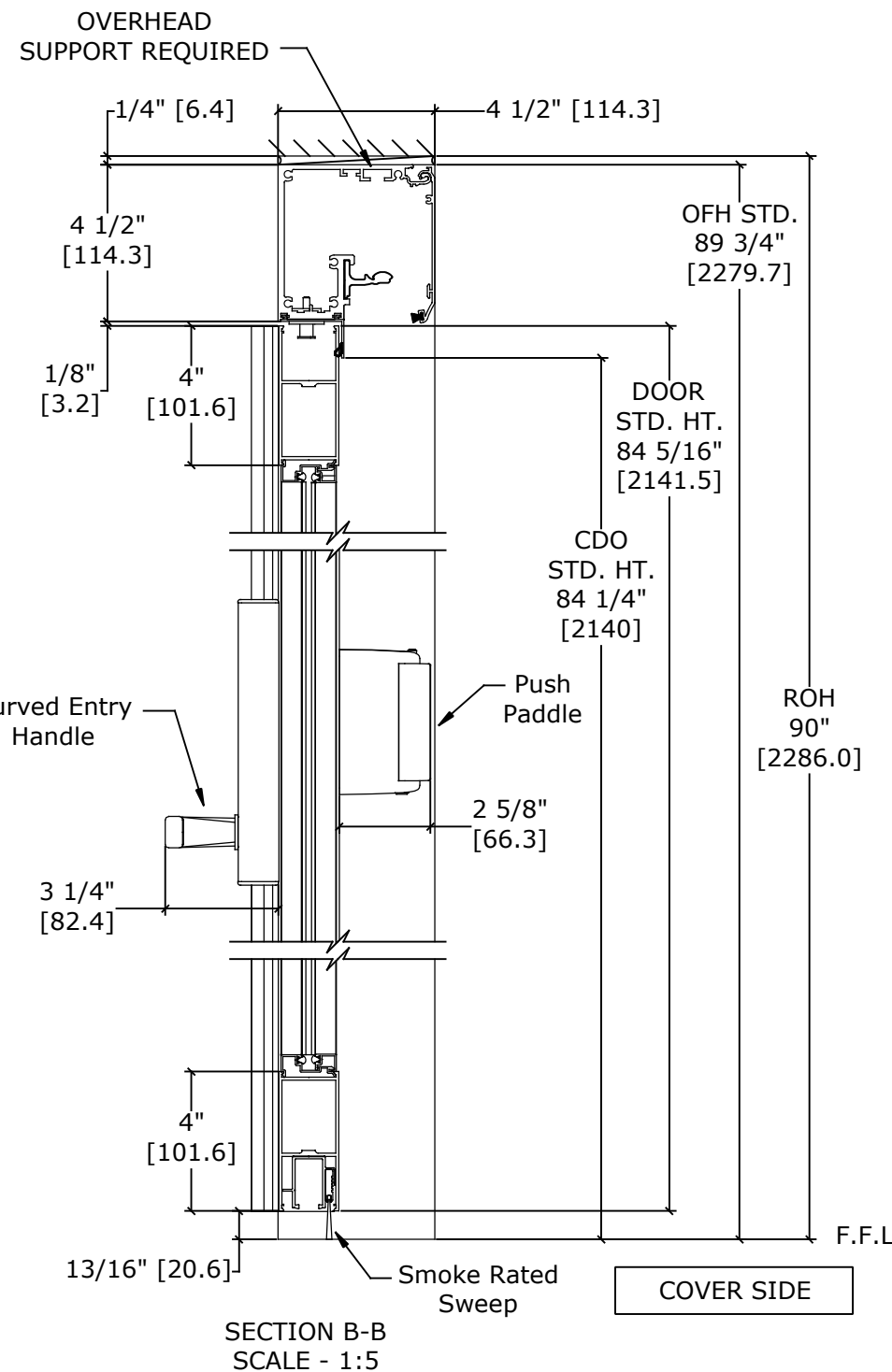
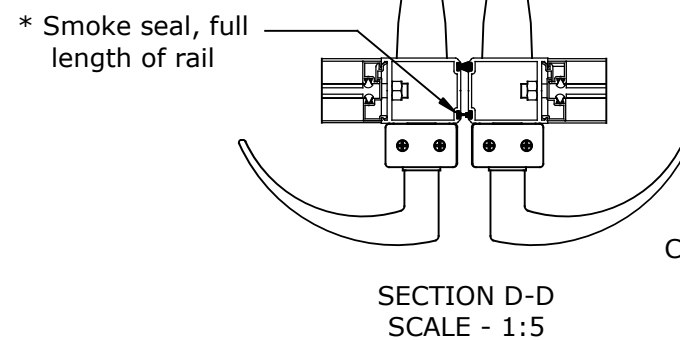
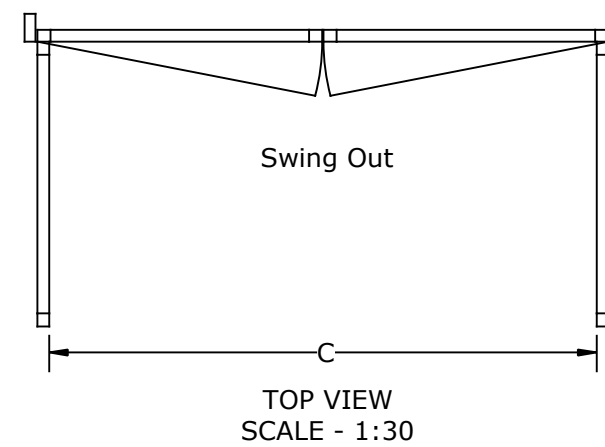
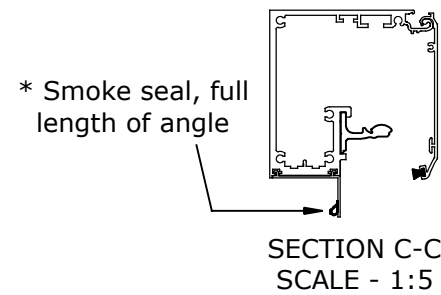
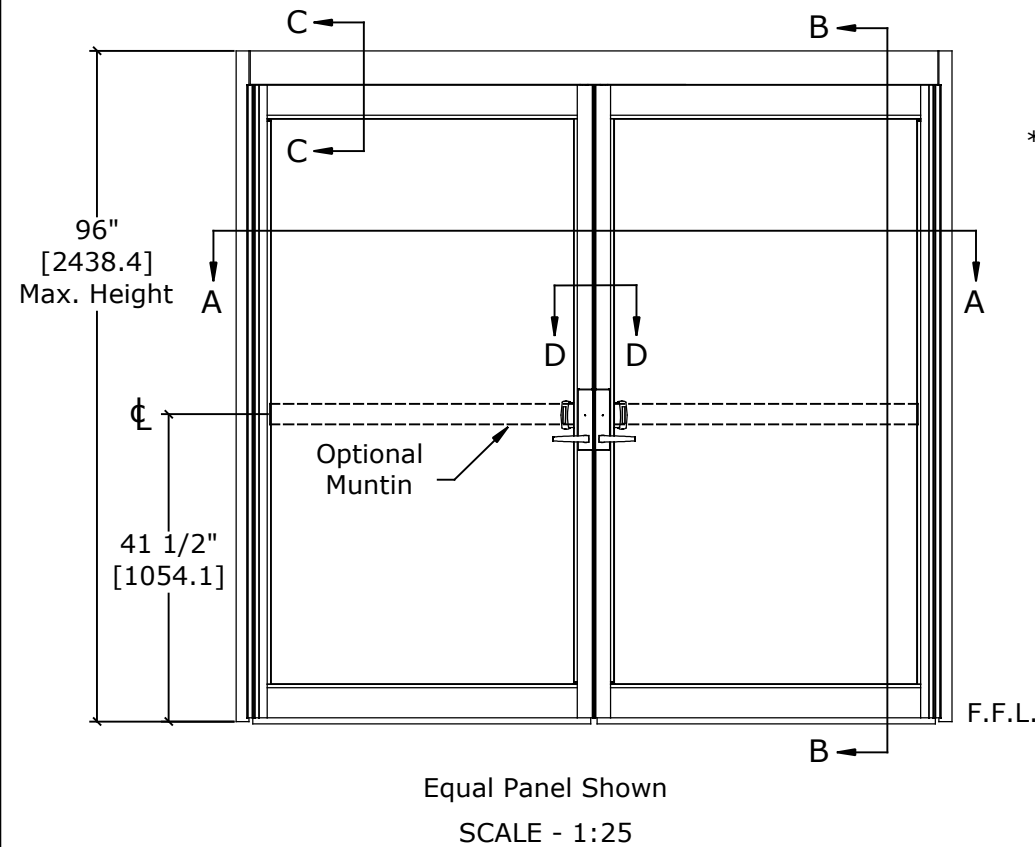


DIMENSIONS FOR 1/4" [6.4] GLASS

MODEL NO.	ROUGH OPENING WIDTH (A)	OVERALL FRAME WIDTH (B)	CLEAR DOOR OPENING (C)	ACTIVE WIDTH (D)
VMSWEP-6-4	76" [1930.4]	75 1/2" [1917.7]	67" [1701.8]	36" [914.4]
VMSWEP-7-4	88" [2235.2]	87 1/2" [2222.5]	79" [2006.6]	42" [1066.8]
VMSWEP-8-4	100" [2540.0]	99 1/2" [2527.3]	91" [2311.4]	48" [1219.2]



NOTES

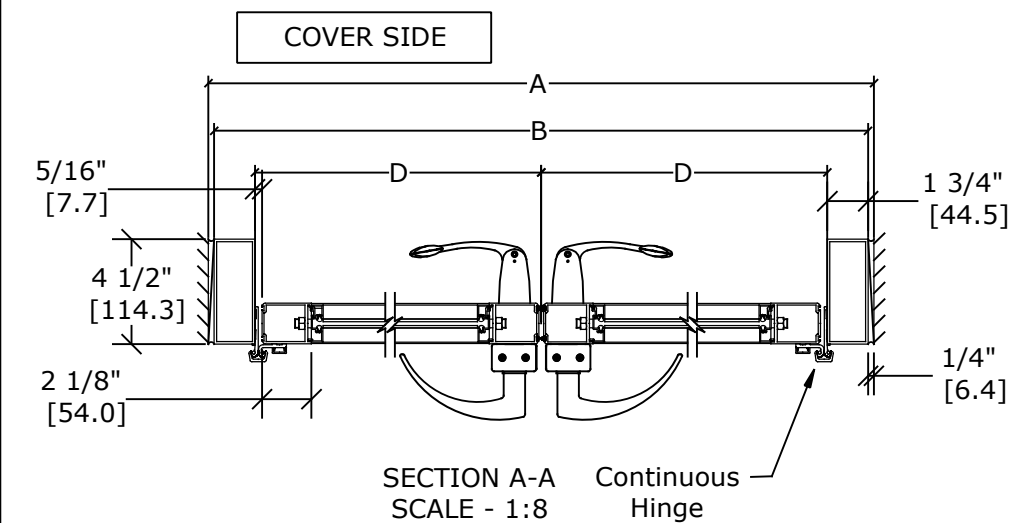
THE STANDARD PACKAGE CONSISTS OF:

- ICU HEADER
- NARROW STILE RAILS
- 1/4" GLASS STOPS AND BLOCKS
- DOOR PANELS WITH A CURVED HANDLE TO THE EXTERIOR AND PUSH PADDLE TO THE INTERIOR
- CONTINUOUS HINGES
- SMOKE RATED SEALS AND SWEEPS
- STANDARD FINISH: CLASS 1, .018MM, CLEAR- AA-M12C22A41

OPTIONS INCLUDE:

- SPECIAL FINISHES
- MUNTINS, SEE SHEET AA-14 FOR DETAILS
- MEDIUM STILE CONSTRUCTION
- 7" AND 10" BOTTOM RAILS, SEE SHEET AA-14 FOR DETAILS
- PACKAGE WILL ACCEPT UP TO 1 1/4" [31.8] INSULATED GLASS, SEE SHEET AA-13 FOR DETAILS
- LOW PROFILE HEADER, SEE SHEET AA-19 FOR DETAILS
- SEE SHEET OS-4 FOR ALL OTHER OPTIONS.

REFER TO RELEVANT [LOCAL, STATE, NATIONAL, OR AHJ] BUILDING CODE FOR MIN DOOR HEIGHT & MIN/MAX WIDTH ALLOWABLE FOR EGRESS REQUIREMENT IN CONJUNCTION WITH TABLE.



* SEALS: FACTORY APPLIED SEALS USED ON THIS SYSTEM TO SLOW OR RESTRICT PASSAGE OF SMOKE COMPLIES TO ONE OR MORE OF THE FOLLOWING REQUIREMENTS: UL1784, ANSI/NFPA105 2007, UBC7-2, PART11, B5476, UL10B, UL10C, UBC7-2 PART 1 & B5476.

DWG NO. 1016230	DRN BY DBN	DATE 02/22/17	CHK BY CLW	DATE 03/03/17	REV. 2.0	DATE 05/24/17
-----------------	------------	---------------	------------	---------------	----------	---------------