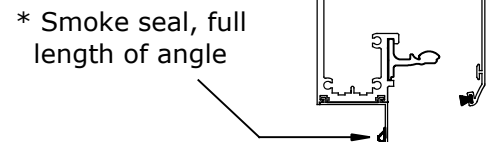
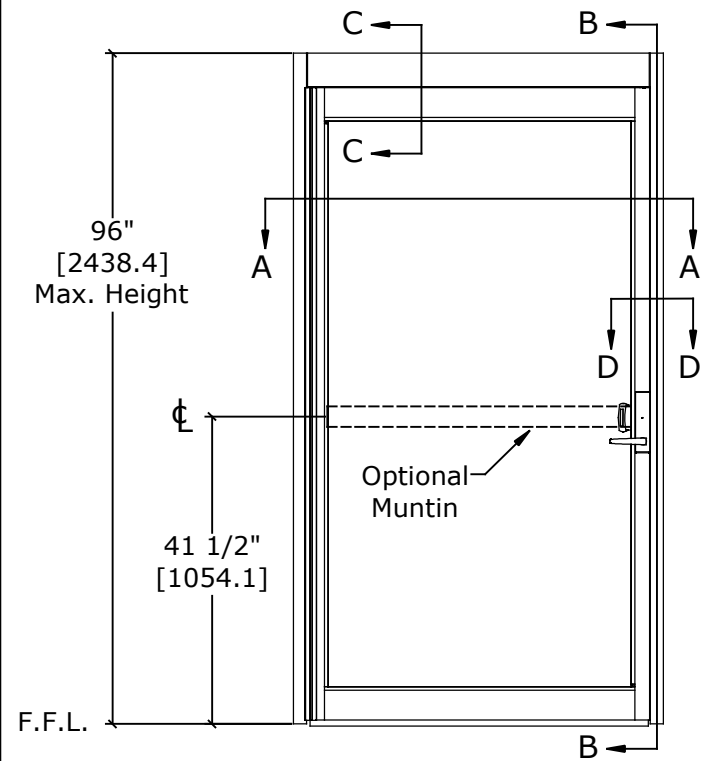


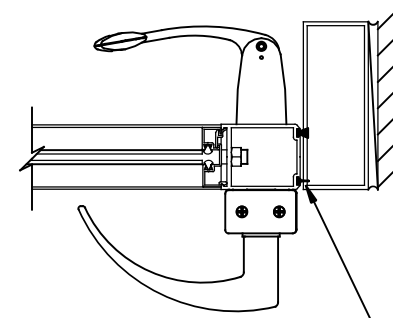
ASSA ABLOY VERSAMAX ICU SINGLE PANEL UL 1784 SMOKE CERTIFIED MANUAL SWING DOOR SYSTEM

DIMENSIONS FOR 1/4" [6.4] GLASS

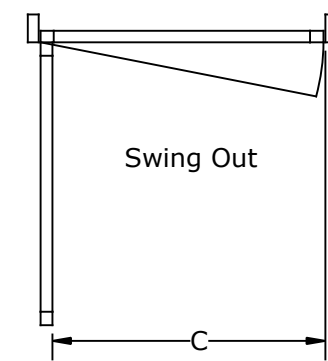
MODEL NO.	ROUGH OPENING WIDTH (A)	OVERALL FRAME WIDTH (B)	CLEAR DOOR OPENING (C)	ACTIVE WIDTH (D)
VMSWS-3-4	40" [1016.0]	39 1/2" [1003.3]	33 1/2" [850.9]	36" [914.4]
VMSWS-3-10	46" [1168.4]	45 1/2" [1155.7]	39 1/2" [1003.3]	42" [1066.8]
VMSWS-4-4	52" [1320.8]	51 1/2" [1308.1]	45 1/2" [1155.7]	48" [1219.2]



SECTION C-C
SCALE - 1:5

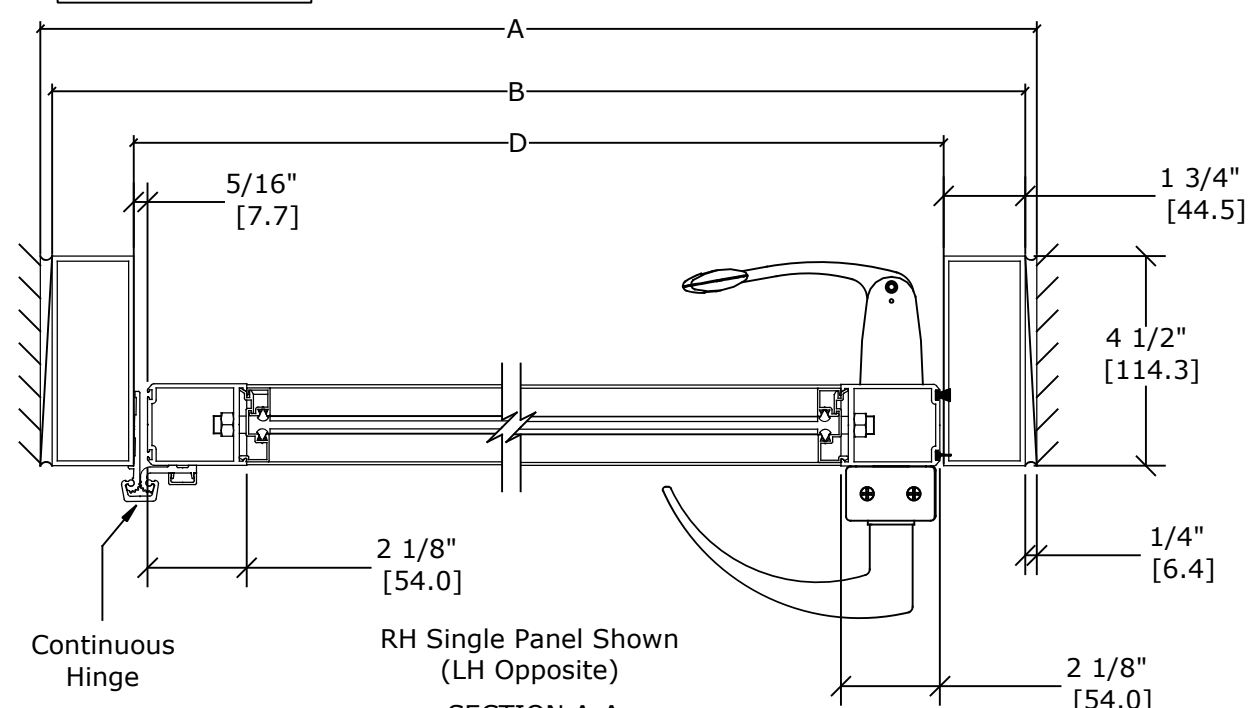


SECTION D-D
SCALE - 1:5

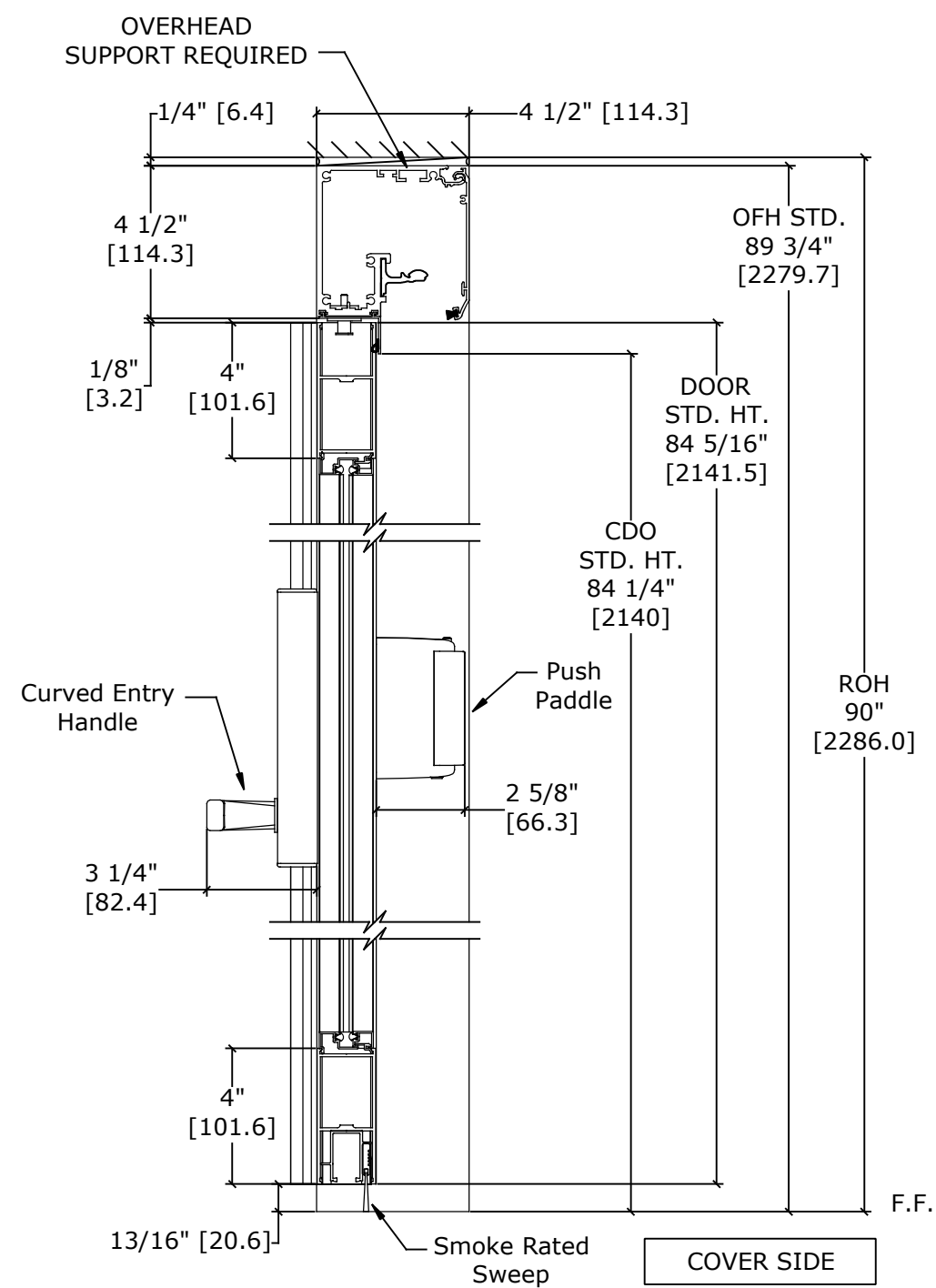


TOP VIEW
SCALE - 1:30

COVER SIDE
SCALE - 1:25



SECTION A-A
SCALE - 1:4



SECTION B-B
SCALE - 1:5

NOTES

- THE STANDARD PACKAGE CONSISTS OF:
- ICU HEADER
 - NARROW STILE RAILS
 - 1/4" GLASS STOPS AND BLOCKS
 - DOOR PANEL WITH A CURVED HANDLE TO THE EXTERIOR AND PUSH PADDLE TO THE INTERIOR
 - CONTINUOUS HINGES
 - SMOKE RATED SEALS AND SWEEPS
 - STANDARD FINISH: CLASS 1, .018MM, CLEAR- AA-M12C22A41
- OPTIONS INCLUDE:
- SPECIAL FINISHES
 - MUNTINS, SEE SHEET AA-14 FOR DETAILS
 - MEDIUM STILE CONSTRUCTION
 - 7" AND 10" BOTTOM RAILS, SEE SHEET AA-14 FOR DETAILS
 - PACKAGE WILL ACCEPT UP TO 1 1/4" [31.8] INSULATED GLASS, SEE SHEET AA-13 FOR DETAILS
 - LOW PROFILE HEADER, SEE SHEET AA-19 FOR DETAILS
 - SEE SHEET OS-4 FOR ALL OTHER OPTIONS.

REFER TO RELEVANT [LOCAL, STATE, NATIONAL, OR AHJ] BUILDING CODE FOR MIN DOOR HEIGHT & MIN/MAX WIDTH ALLOWABLE FOR EGRESS REQUIREMENT IN CONJUNCTION WITH TABLE.

DWG NO.	1016231										
DRN BY	DBN	DATE	02/22/17	CHK BY	CLW	DATE	03/03/17	REV.	2.0	DATE	05/24/17

* SEALS: FACTORY APPLIED SEALS USED ON THIS SYSTEM TO SLOW OR RESTRICT PASSAGE OF SMOKE COMPLIES TO ONE OR MORE OF THE FOLLOWING REQUIREMENTS: UL1784, ANSI/NFPA105 2007, UBC7-2, PART11, B5476, UL10B, UL10C, UBC7-2 PART 1 & B5476.