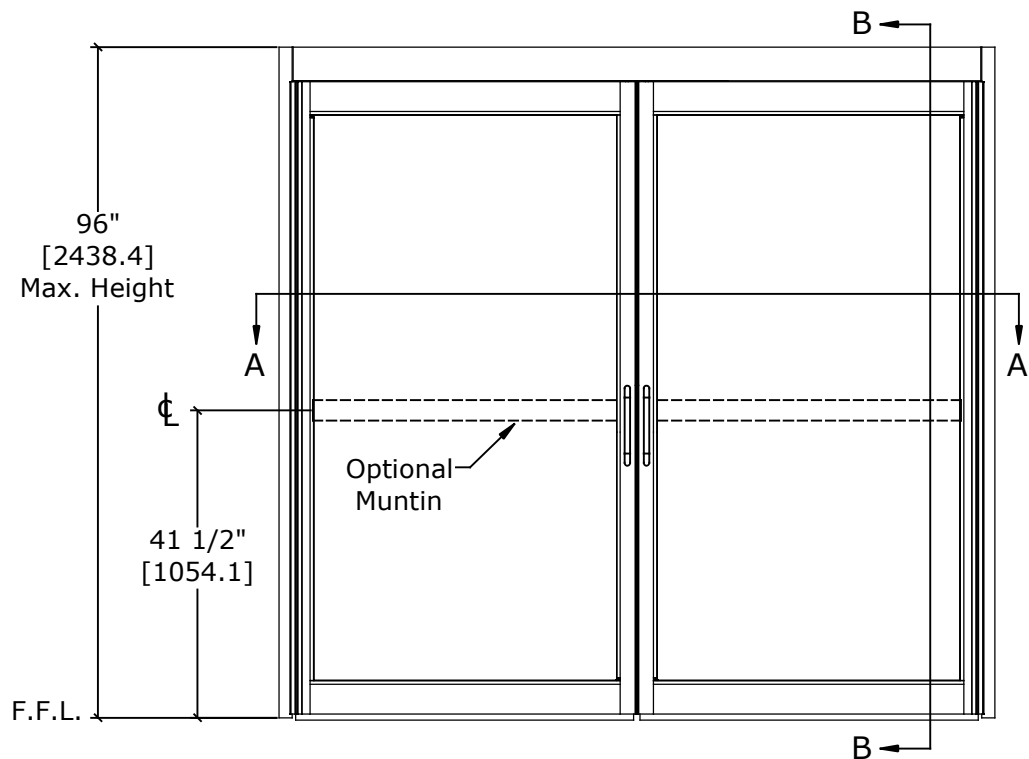


ASSA ABLOY VERSAMAX ICU

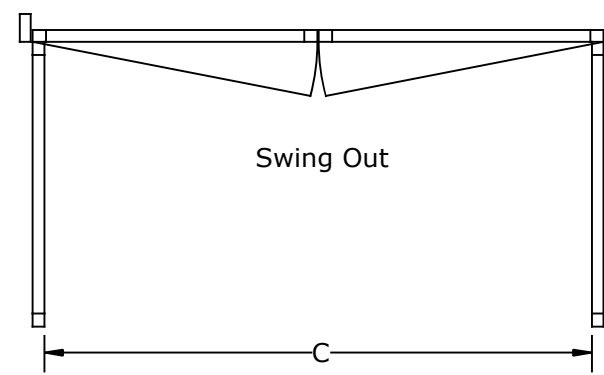
EQUAL PAIR
MANUAL SWING DOOR SYSTEM

DIMENSIONS FOR 1/4" [6.4] GLASS

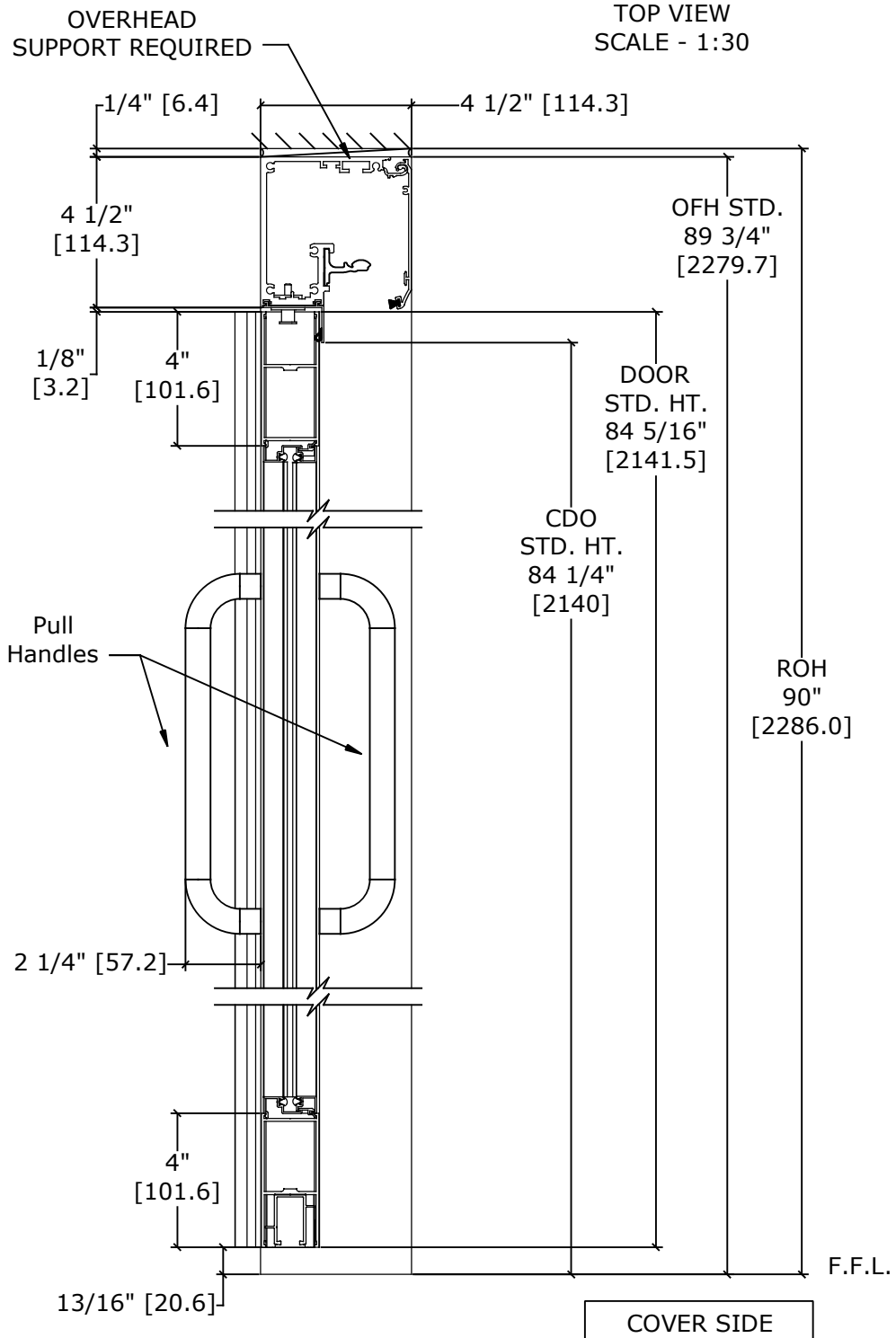
MODEL NO.	ROUGH OPENING WIDTH (A)	OVERALL FRAME WIDTH (B)	CLEAR DOOR OPENING (C)	ACTIVE WIDTH (D)
VMSWEP-6-4	76" [1930.4]	75 1/2" [1917.7]	67" [1701.8]	36" [914.4]
VMSWEP-7-4	88" [2235.2]	87 1/2" [2222.5]	79" [2006.6]	42" [1066.8]
VMSWEP-8-4	100" [2540.0]	99 1/2" [2527.3]	91" [2311.4]	48" [1219.2]



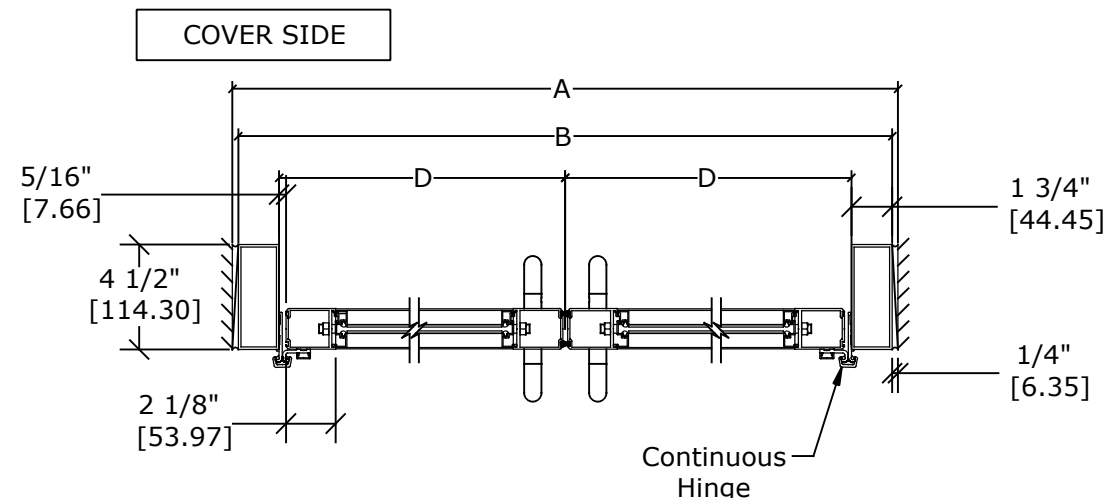
Equal Panel Shown
SCALE - 1:25



TOP VIEW
SCALE - 1:30



SECTION B-B
SCALE - 1:5



SECTION A-A
SCALE - 1:8

NOTES

- THE STANDARD PACKAGE CONSISTS OF:
- ICU HEADER
 - NARROW STILE RAILS
 - 1/4" GLASS STOPS AND BLOCKS
 - AN ACTIVE DOOR PANEL WITH DUAL PULL HANDLES
 - CONTINUOUS HINGES
 - STANDARD FINISH:
CLASS 1, .018MM, CLEAR- AA-M12C22A41
- OPTIONS INCLUDE:
- SPECIAL FINISHES
 - MUNTINS, SEE SHEET AA-14 FOR DETAILS
 - MEDIUM STILE CONSTRUCTION
 - 7" AND 10" BOTTOM RAILS, SEE SHEET AA-14 FOR DETAILS
 - PACKAGE WILL ACCEPT UP TO 1 1/4" [31.8] INSULATED GLASS, SEE SHEET AA-13 FOR DETAILS
 - LOW PROFILE HEADER, SEE SHEET AA-19 FOR DETAILS
 - SEE SHEET OS-4 FOR ALL OTHER OPTIONS.

REFER TO RELEVANT [LOCAL, STATE, NATIONAL, OR AHJ] BUILDING CODE FOR MIN DOOR HEIGHT & MIN/MAX WIDTH ALLOWABLE FOR EGRESS REQUIREMENT IN CONJUNCTION WITH TABLE.

DWG NO.	1016233										
DRN BY	DBN	DATE	02/22/17	CHK BY	CLW	DATE	03/03/17	REV.	2.0	DATE	05/24/17