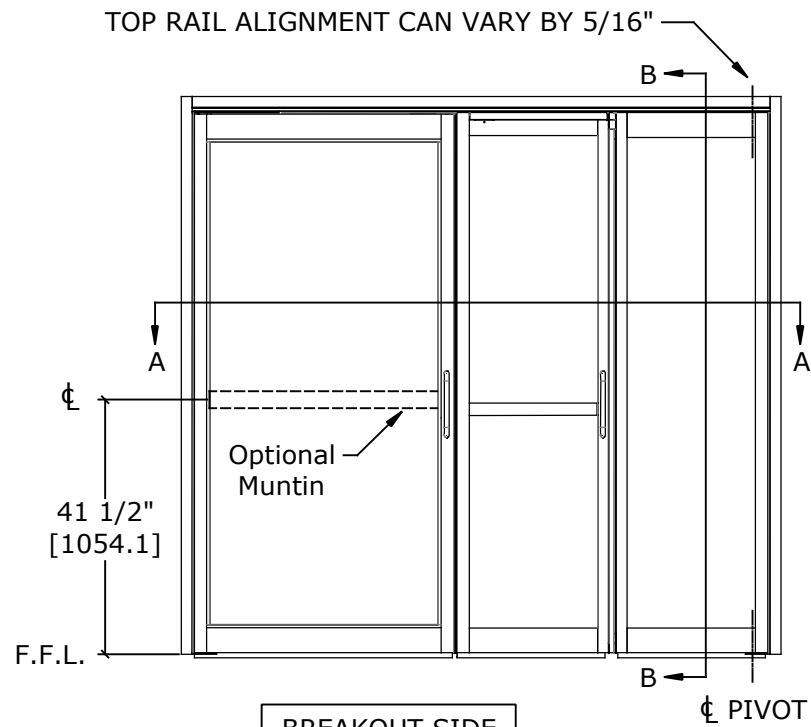


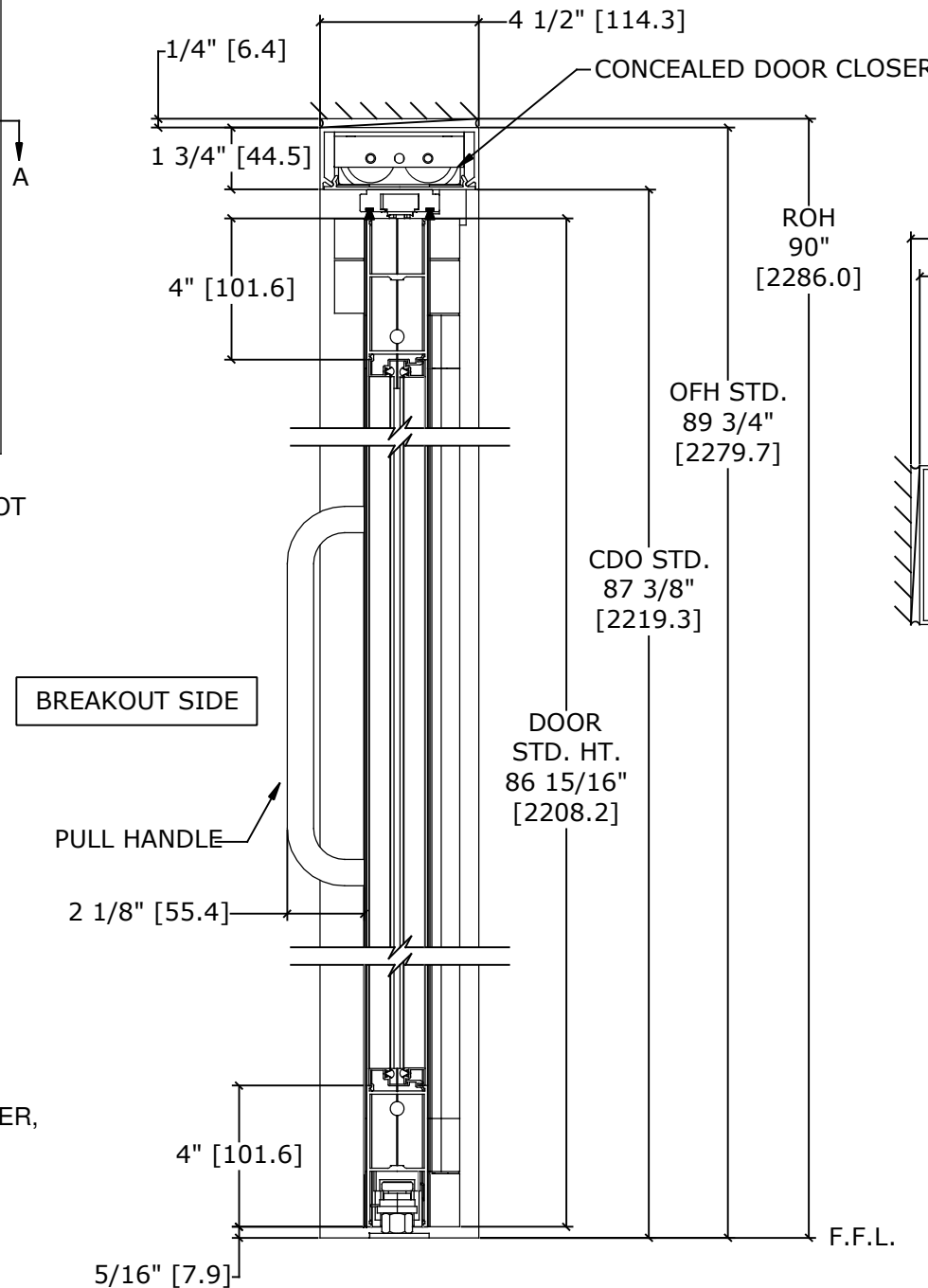
DIMENSIONS FOR 1/4" [6.4] GLASS

MODEL NO.	ROUGH OPENING WIDTH (A)	OVERALL FRAME WIDTH (B)	CLEAR DOOR OPENING (C)	FOLD DOOR CDO (D)	SWING DOOR CDO (E)	FOLD DOOR WIDTH (F)	SWING DOOR WIDTH (G)
VMF2-5-6	65 3/4" [1670.1]	65 1/4" [1657.4]	51 7/8" [1317.6]	19" [482.6]	32 5/16" [820.7]	25 3/16" [639.8]	36" [914.4]
VMF2-10	120 1/2" [3060.7]	120" [3048.0]	106 5/8" [2708.3]	61 3/4" [1568.5]	44 5/16" [1125.5]	67 15/16" [1725.6]	48" [1219.2]
KEY:	B+1/2" B+[12.7]	A-1/2" A-[12.7]	D+E	F-6 3/16" F-[157.2]	D-3 11/16" D-[93.7]	B-D-1/16" B-D-[1.6]	

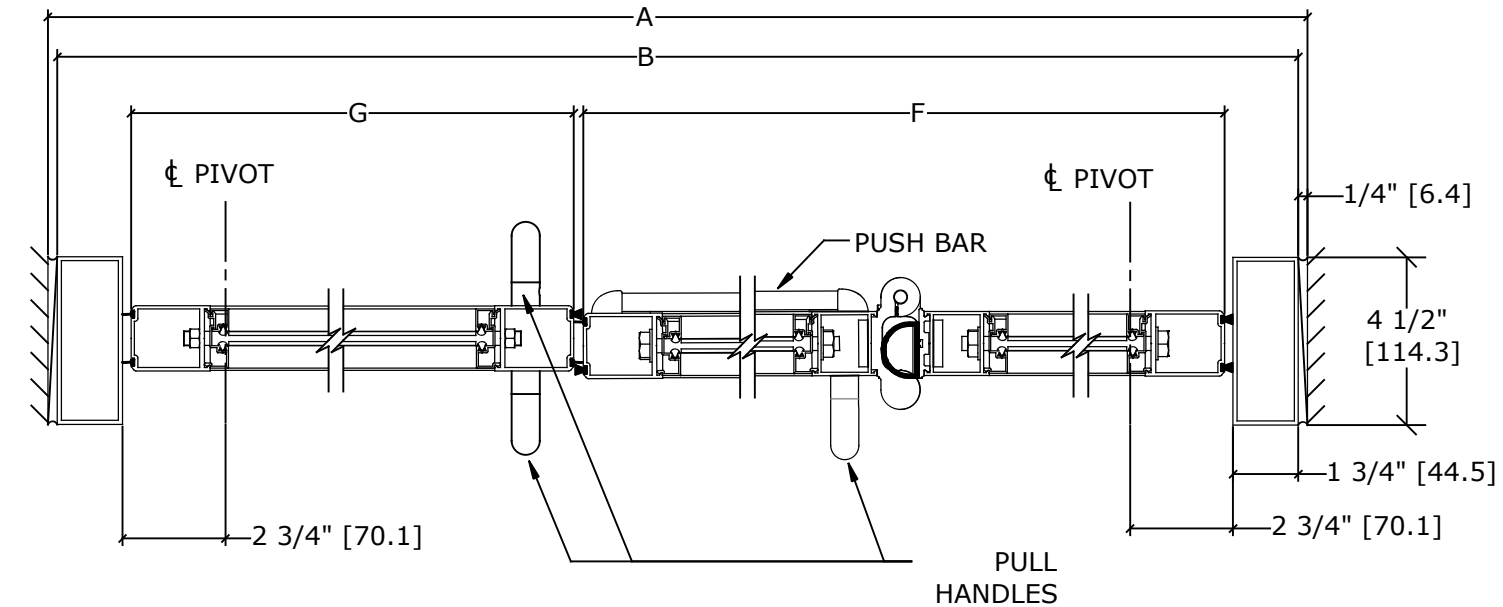
- MAX WEIGHT SWING DOOR - 115 lbs
- MAX WEIGHT FOLD DOOR - 170 lbs
- INSULATED GLASS NOT TO EXCEED 1/8" PANES



LH Fold and Swing Shown
(RH Opposite)
SCALE - 1:30



SECTION B-B
SCALE - 1:5



SECTION A-A
SCALE - 1:5

TOP VIEW
SCALE - 1:30

- ### NOTES
- THE STANDARD PACKAGE CONSISTS OF:
- ICU HEADER
 - FRAMES
 - 1/4" GLASS STOPS AND BLOCKS
 - SWING DOOR PANEL WITH PULL "C" HANDLES TO THE EXTERIOR AND TO THE INTERIOR, SEE SHEET AA-7 FOR DETAILS
 - SWING DOOR PANEL WITH A CONCEALED DOOR CLOSER, SEE SHEET AA-24 FOR DETAILS
 - FOLD DOOR PANEL WITH A PULL "C" HANDLE TO THE EXTERIOR AND PUSH BAR TO THE INTERIOR
 - STANDARD FINISH: CLASS 1, .018MM, CLEAR- AA-M12C22A41

- OPTIONS INCLUDE:
- SPECIAL FINISHES
 - ***SMOKE SEALS
 - MUNTINS, SEE SHEET AA-14 FOR DETAILS
 - MEDIUM STILE VERTICAL RAILS
 - 7" AND 10" BOTTOM RAILS, SEE SHEET AA-14 FOR DETAILS
 - 5/8", 1", AND 1 1/4" INSULATED GLASS, SEE SHEET AA-13 FOR DETAILS. INSULATED GLASS NOT TO EXCEED 1/8" PANES
 - SEE SHEET OS-3 FOR ALL OTHER OPTIONS.

*** SMOKE SEAL PACKAGE IS DESIGNED TO MEET THE SMOKE INFILTRATION ASPECTS OF UL1784.

REFER TO RELEVANT [LOCAL, STATE, NATIONAL, OR AHJ] BUILDING CODE FOR MIN DOOR HEIGHT & MIN/MAX WIDTH ALLOWABLE FOR EGRESS REQUIREMENT IN CONJUNCTION WITH TABLE.

DWG NO. 1016236

DRN BY	DBN	DATE	02/22/17	CHK BY	CLW	DATE	03/03/17	REV.	2.0	DATE	05/24/17
--------	-----	------	----------	--------	-----	------	----------	------	-----	------	----------

ASSA ABLOY