

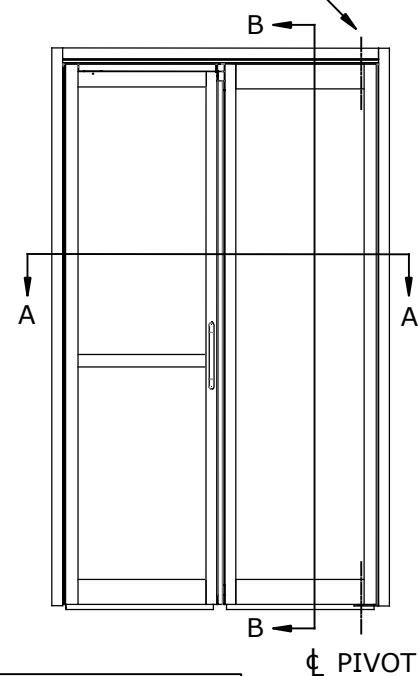
ASSA ABLOY VERSAMAX ICU LH SINGLE FOLD DOOR SYSTEM

DIMENSIONS FOR 1/4" [6.4] GLASS

MODEL NO.	ROUGH OPENING WIDTH (A)	OVERALL FRAME WIDTH (B)	CLEAR DOOR OPENING (C)	DOOR WIDTH (D)
VMF2-3-5	41" [1041.4]	40 1/2" [1028.7]	30 7/8" [784.2]	36 5/8" [930.3]
VMF2-6	72 5/16" [1836.7]	71 13/16" [1824.0]	62 3/16" [1579.6]	67 15/16" [1725.6]
KEY:	B+1/2" B+[12.7]	A-1/2" A-[12.7]	B-9 5/8" B-[244.5]	B-3 7/8" B-[98.4]

- MAX WEIGHT FOLD DOOR - 170 lbs
INSULATED GLASS NOT TO EXCEED 1/8" PANES

TOP RAIL ALIGNMENT CAN VARY BY 5/16"



BREAKOUT SIDE

LH Single Fold Shown
(RH Opposite)

SCALE - 1:30

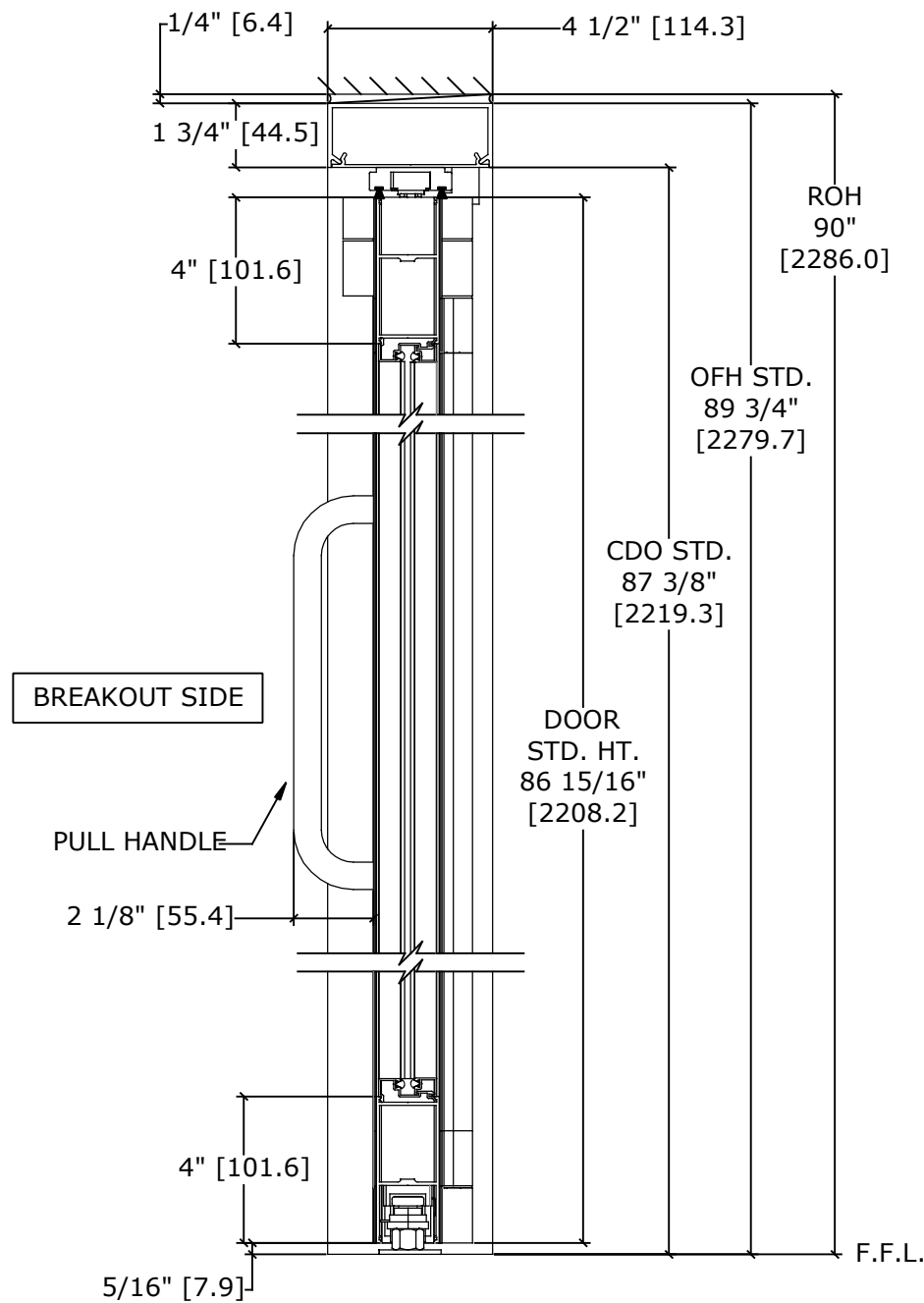
NOTES

THE STANDARD PACKAGE CONSISTS OF:

- ICU HEADER
- FRAMES
- 1/4" GLASS STOPS AND BLOCKS
- A FOLD DOOR PANEL WITH A PULL "C" HANDLE TO THE EXTERIOR AND PUSH BAR TO THE INTERIOR
- STANDARD FINISH:
CLASS 1, .018MM, CLEAR- AA-M12C22A41

OPTIONS INCLUDE:

- SPECIAL FINISHES
- *** SMOKE SEALS
- MUNTINS, SEE SHEET AA-14 FOR DETAILS
- MEDIUM STILE VERTICAL RAILS
- 7" AND 10" BOTTOM RAILS, SEE SHEET AA-14 FOR DETAILS
- 5/8", 1", AND 1 1/4" INSULATED GLASS, SEE SHEET AA-13 FOR DETAILS. INSULATED GLASS NOT TO EXCEED 1/8" PANES
- SEE SHEET OS-3 FOR ALL OTHER OPTIONS.

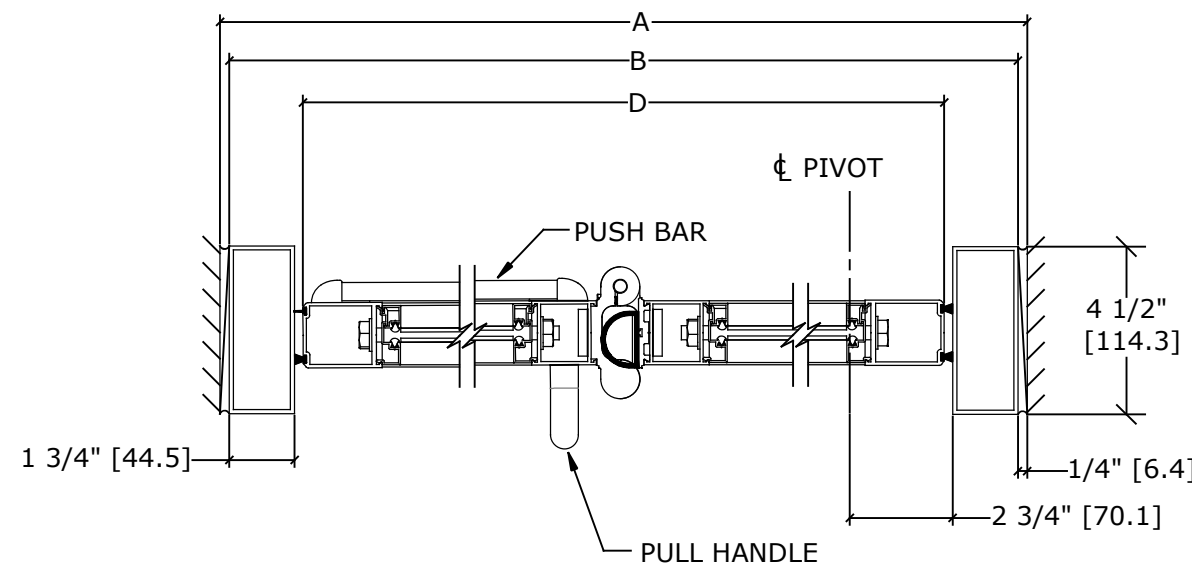


BREAKOUT SIDE

DOOR
STD. HT.
86 15/16"
[2208.2]

SECTION B-B
SCALE - 1:5

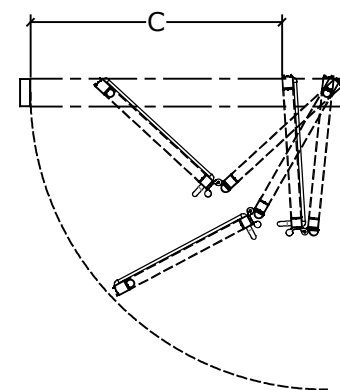
F.F.L.



BREAKOUT SIDE

LH Single Fold Shown
(RH Opposite)

SECTION A-A
SCALE - 1:5



BREAKOUT SIDE

TOP VIEW
SCALE - 1:30

REFER TO RELEVANT [LOCAL, STATE, NATIONAL, OR AHJ] BUILDING CODE FOR MIN DOOR HEIGHT & MIN/MAX WIDTH ALLOWABLE FOR EGRESS REQUIREMENT IN CONJUNCTION WITH TABLE.

DWG NO.	1016238										
DRN BY	DBN	DATE	02/22/17	CHK BY	CLW	DATE	03/03/17	REV.	2.0	DATE	05/24/17