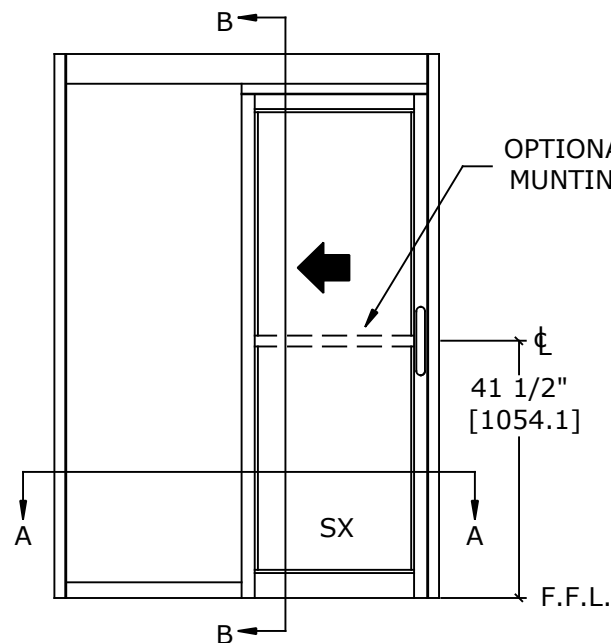


ASSA ABLOY VERSAMAX ICU

SURFACE APPLIED FULL BREAKOUT
NARROW STILE SINGLE SLIDE DOOR SYSTEM

DIMENSIONS FOR 1/4" [6.4] GLASS

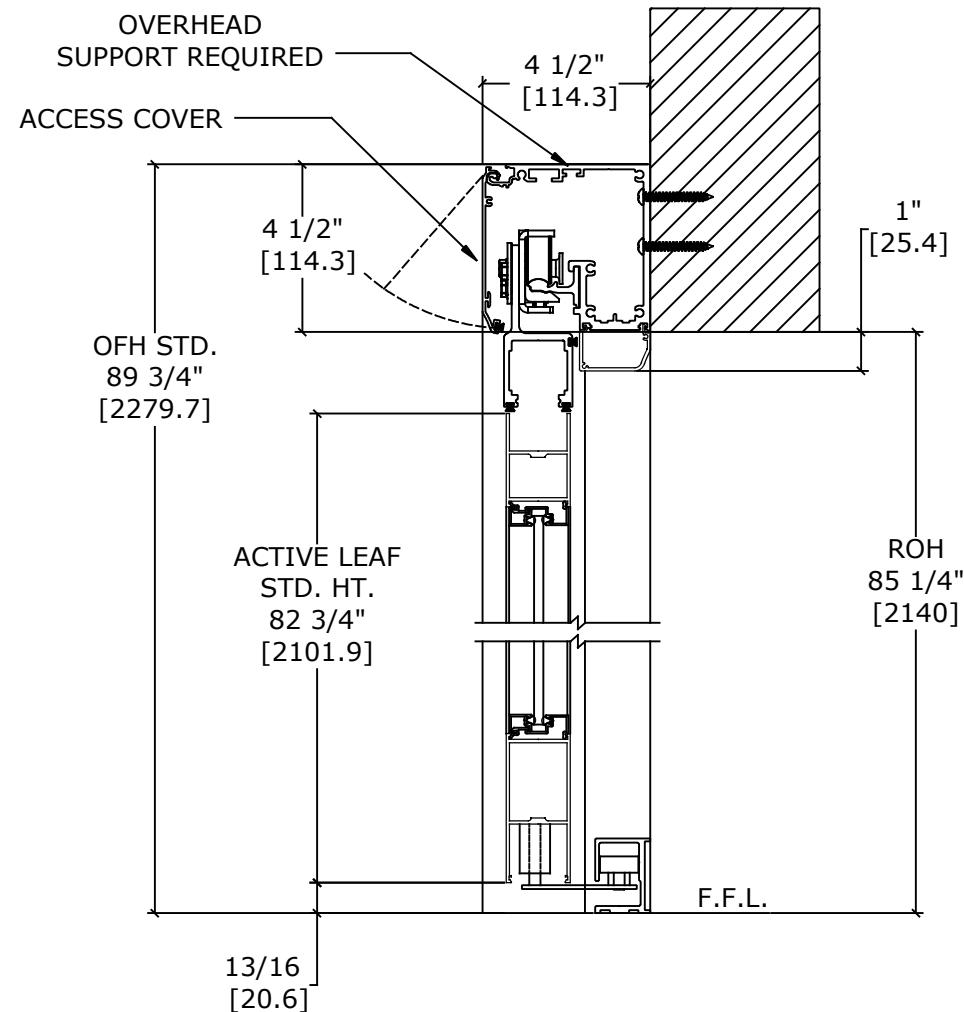
MODEL NO.	ROUGH OPENING WIDTH (A)	CLEAR DOOR OPENING WIDTH (B)	OVERALL FRAME WIDTH (C)	ACTIVE LEAF WIDTH (D)
VMSA1-3	36" [914.4]	32 3/8" [822.3]	78 1/8" [1984.4]	38 1/2" [977.9]
VMSA1-3-6	42" [1066.8]	38 3/8" [974.7]	90 1/8" [2289.2]	44 1/2" [1130.3]
VMSA1-4	48" [1219.2]	44 3/8" [1127.1]	102 1/8" [2594]	50 1/2" [1282.7]
KEY:		A- 3 5/8" A- [92.1]	2A+ 6 1/8" 2A+ [155.6]	A+ 2.5" A+ [63.5]



BREAKOUT SIDE

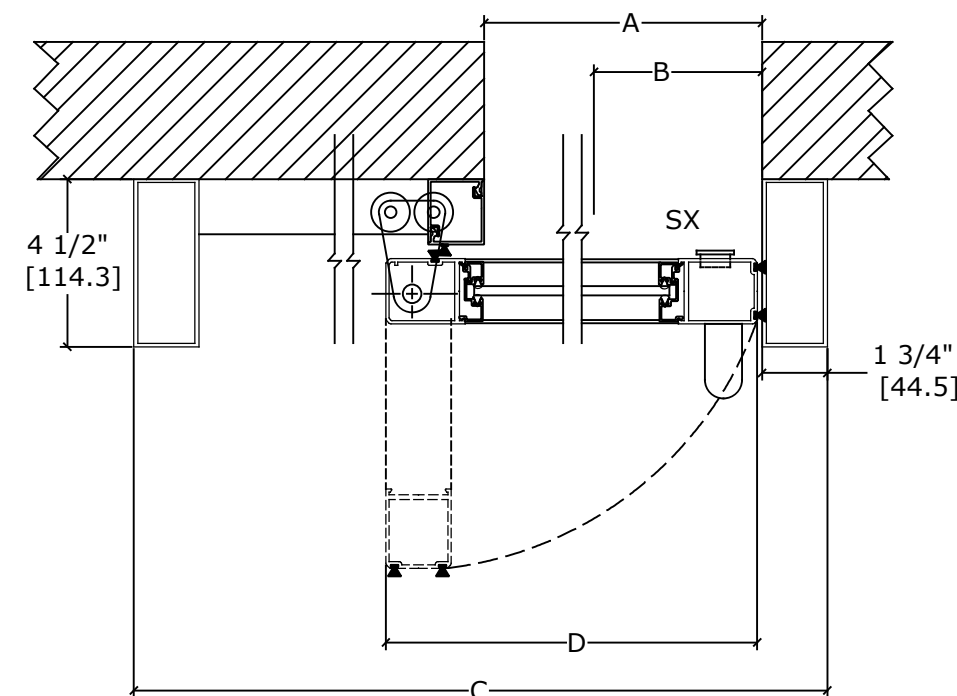
LH SLIDE SHOWN
(RH SLIDE OPPOSITE)

SCALE - 1:30



BREAKOUT SIDE

SECTION B-B
SCALE - 1:5



BREAKOUT SIDE

LH SLIDE SHOWN
(RH SLIDE OPPOSITE)

SECTION A-A
SCALE - 1:5

NOTES:

STANDARD PACKAGE CONSISTS OF:

- STANDARD FINISH:
CLASS 1, .018MM, CLEAR- AA-M12C22A41
- NARROW STILE RAILS
- 1/4" GLASS STOPS AND BLOCKS
- PULL HANDLE(S) AND RECESSED FINGER PULL(S)
- NURSE ASSIST MAGNETIC CATCHES
- FULL OPENING DAMPENING DEVICE

OPTIONS AVAILABLE:

- SPECIAL FINISHES
- PACKAGE WILL ACCEPT UP TO 1 1/4" [31.8]
INSULATED GLASS, SEE SHEET AA-13 FOR DETAILS
- 7" & 10" BOTTOM RAILS, SEE SHEET AA-14 FOR DETAILS
- MUNTINS, SEE SHEET AA-14 FOR DETAILS
- SEE SHEET OS-1 FOR ALL OTHER OPTIONS.

- DOORS WILL BREAK OUT IN ANY POSITION

REFER TO RELEVANT [LOCAL, STATE, NATIONAL, OR AHJ] BUILDING CODE FOR MIN DOOR HEIGHT & MIN/MAX WIDTH ALLOWABLE FOR EGRESS REQUIREMENT IN CONJUNCTION WITH TABLE.

DWG NO.	1016505										
DRN BY	DBN	DATE	02/22/17	CHK BY	CLW	DATE	03/03/17	REV.	2.0	DATE	05/24/17