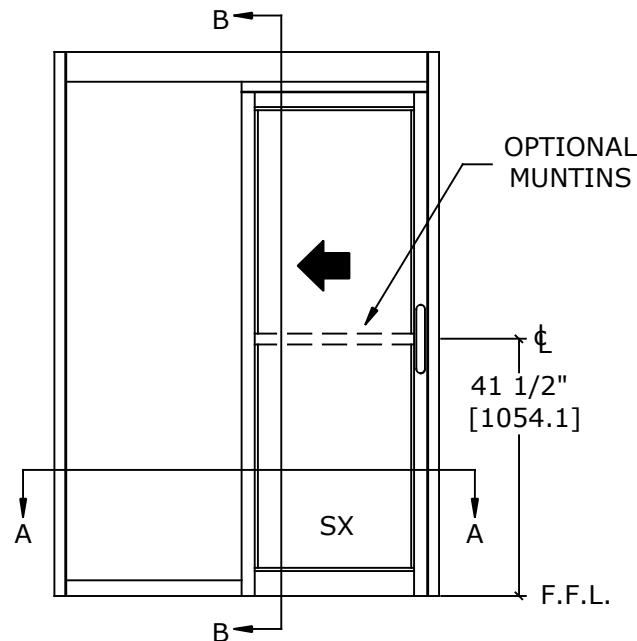


ASSA ABLOY VERSAMAX ICU SURFACE APPLIED FULL BREAKOUT UL 1784 SMOKE CERTIFIED NARROW STILE SINGLE SLIDE DOOR SYSTEM

DIMENSIONS FOR 1/4" [6.4] GLASS

| MODEL NO. | ROUGH OPENING WIDTH (A) | CLEAR DOOR OPENING WIDTH (B) | OVERALL FRAME WIDTH (C) | ACTIVE LEAF WIDTH (D) |
|-----------|-------------------------|------------------------------|---------------------------|-----------------------|
| VMSA1-3 | 36" [914.4] | 32 3/8" [822.3] | 78 1/8" [1984.4] | 38 1/2" [977.9] |
| VMSA1-3-6 | 42" [1066.8] | 38 3/8" [974.7] | 90 1/8" [2289.2] | 44 1/2" [1130.3] |
| VMSA1-4 | 48" [1219.2] | 44 3/8" [1127.1] | 102 1/8" [2594] | 50 1/2" [1282.7] |
| KEY: | | A- 3 5/8" A- [92.1] | 2A+ 6 1/8" 2A+ [155.6] | A+ 2.5" A+ [63.5] |

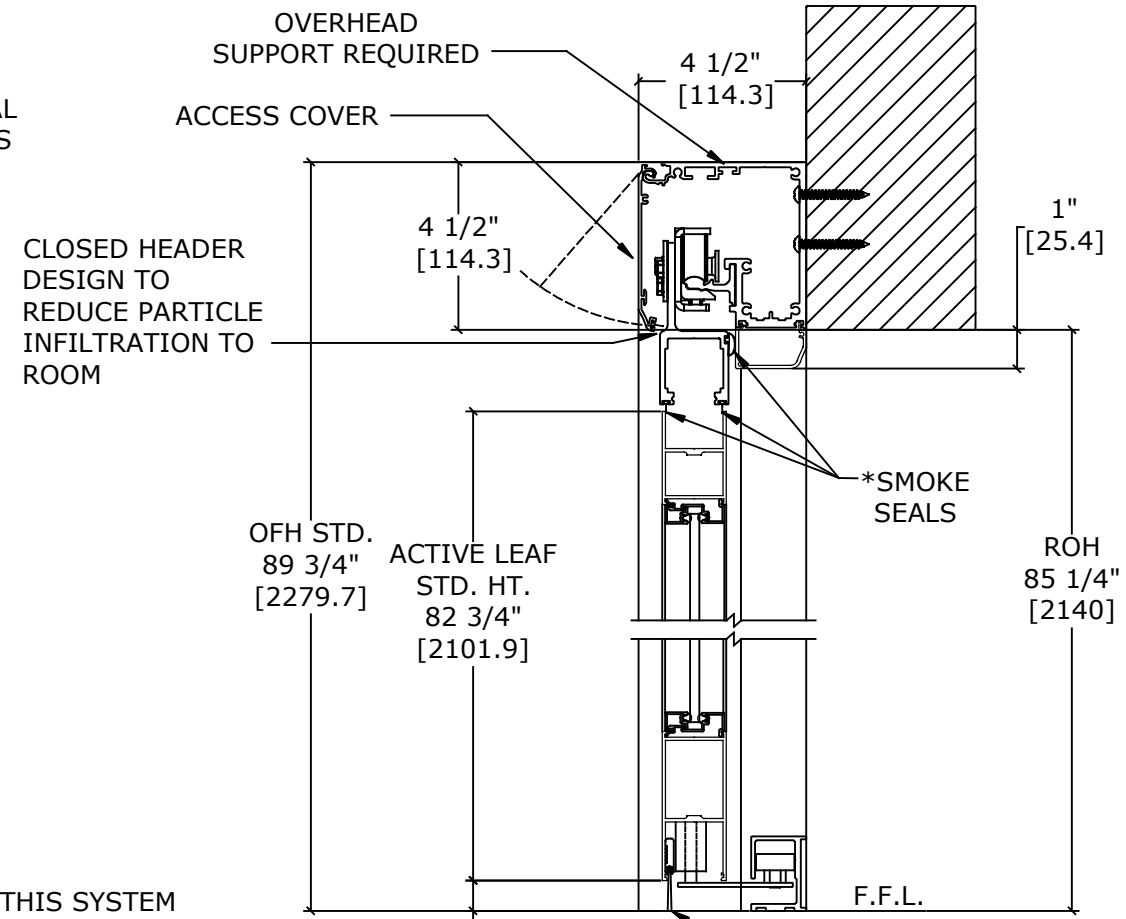


BREAKOUT SIDE

LH SLIDE SHOWN
(RH SLIDE OPPOSITE)

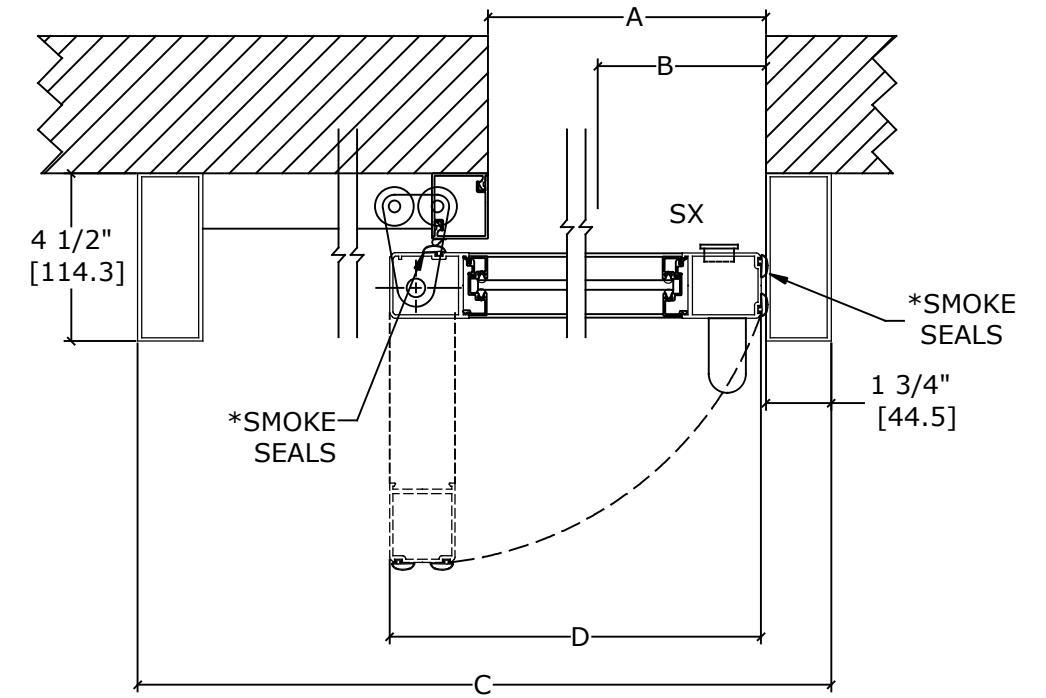
SCALE - 1:30

* SEALS: FACTORY APPLIED SEALS USED ON THIS SYSTEM TO SLOW OR RESTRICT PASSAGE OF SMOKE COMPLIES TO ONE OR MORE OF THE FOLLOWING REQUIREMENTS: UL1784, ANSI/NFPA105 2007, UBC7-2, PART11, B5476, UL10B, UL10C, UBC7-2 PART 1 & B5476.



BREAKOUT SIDE

SECTION B-B
SCALE - 1:5



BREAKOUT SIDE

LH SLIDE SHOWN
(RH SLIDE OPPOSITE)

SECTION A-A
SCALE - 1:5

• DOORS WILL BREAK OUT IN ANY POSITION

REFER TO RELEVANT [LOCAL, STATE, NATIONAL, OR AHJ] BUILDING CODE FOR MIN DOOR HEIGHT & MIN/MAX WIDTH ALLOWABLE FOR EGRESS REQUIREMENT IN CONJUNCTION WITH TABLE.

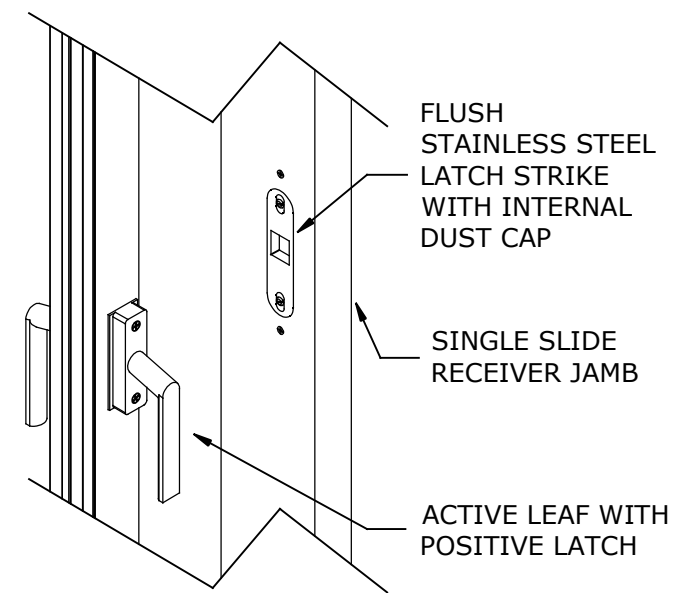
NOTES:

STANDARD PACKAGE CONSISTS OF:

- STANDARD FINISH: CLASS 1, .018MM, CLEAR- AA-M12C22A41
- NARROW STILE RAILS
- 1/4" GLASS STOPS AND BLOCKS
- NURSE ASSIST MAGNETIC CATCHES
- POSITIVE LATCHING
- SELF-CLOSING, SEE SHEET AA-2 FOR DETAILS
- CONCEALED SWEEPS,
- SMOKE RATED SEALS

OPTIONS AVAILABLE:

- SPECIAL FINISHES
- PACKAGE WILL ACCEPT UP TO 1 1/4" [31.8] INSULATED GLASS, SEE SHEET AA-13 FOR DETAILS
- 7" & 10" BOTTOM RAILS, SEE SHEET AA-14 FOR DETAILS
- MUNTINS, SEE SHEET AA-14 FOR DETAILS
- SEE SHEET OS-1 FOR ALL OTHER OPTIONS.



| | | | | | | | | | | | |
|---------|---------|------|----------|--------|-----|------|----------|------|-----|------|----------|
| DWG NO. | 1016506 | | | | | | | | | | |
| DRN BY | DBN | DATE | 02/22/17 | CHK BY | CLW | DATE | 03/03/17 | REV. | 2.0 | DATE | 05/24/17 |