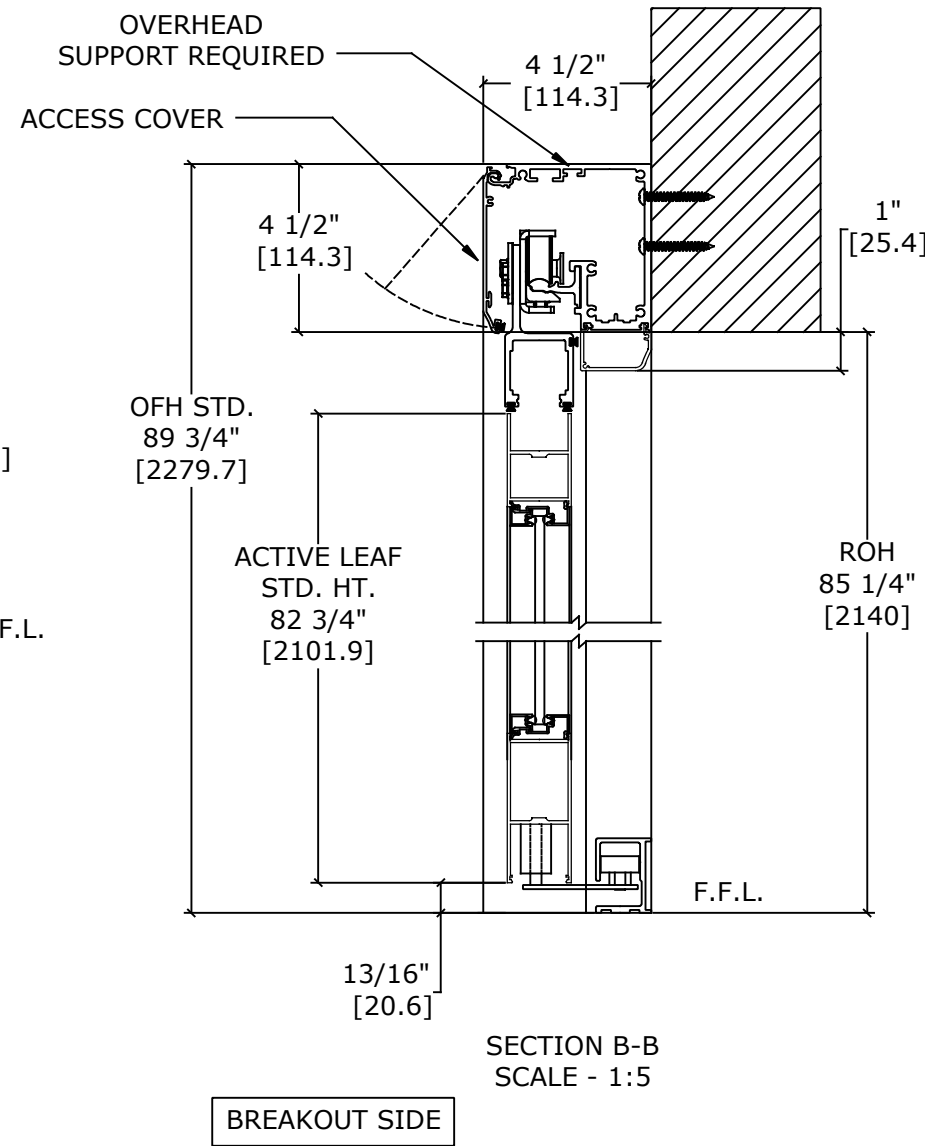
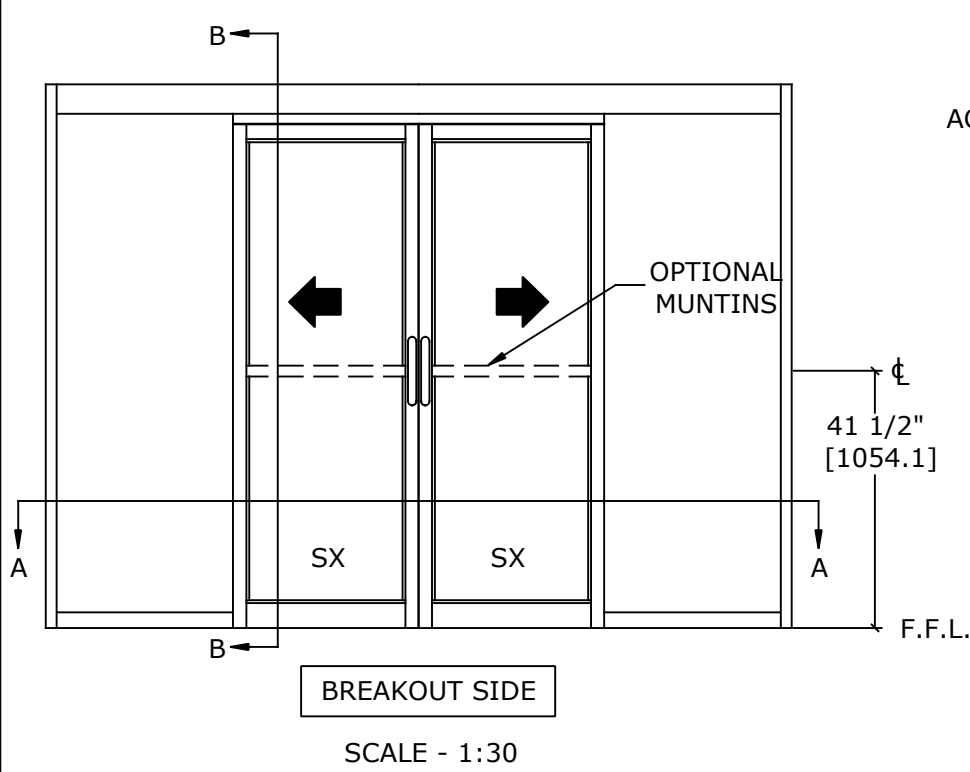
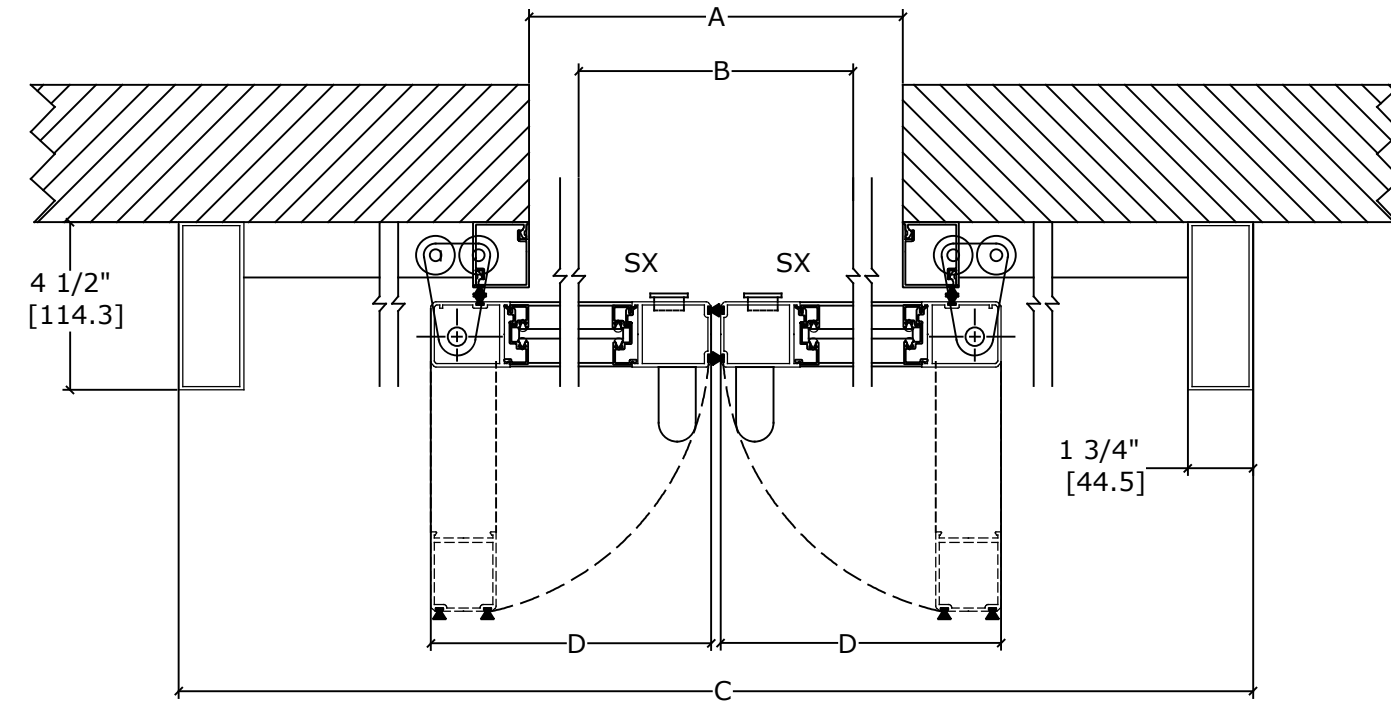


DIMENSIONS FOR 1/4" [6.4] GLASS

MODEL NO.	ROUGH OPENING WIDTH (A)	CLEAR DOOR OPENING WIDTH (B)	OVERALL FRAME WIDTH (C)	ACTIVE LEAF WIDTH (D)
VMSA2-6	72" [1828.8]	64 3/4" [1644.7]	152 13/16" [3881.4]	38 1/2" [977.9]
VMSA2-7	84" [2133.6]	76 3/4" [1949.5]	176 13/16" [4491.0]	44 1/2" [1130.3]
VMSA2-8	96" [2438.4]	88 3/4" [2254.3]	200 13/16" [5100.6]	50 1/2" [1282.7]
KEY:		A- 7 1/4" A-[184.2]	2A+8 13/16" 2A+[233.8]	(A/2)+2.5" (A/2)+[63.5]



CONSULT FACTORY FOR ALL CUSTOM CONFIGURATION SIZES.



• DOORS WILL BREAK OUT IN ANY POSITION

REFER TO RELEVANT [LOCAL, STATE, NATIONAL, OR AHJ] BUILDING CODE FOR MIN DOOR HEIGHT & MIN/MAX WIDTH ALLOWABLE FOR EGRESS REQUIREMENT IN CONJUNCTION WITH TABLE.

### NOTES:

STANDARD PACKAGE CONSISTS OF:

- STANDARD FINISH: CLASS 1, .018MM, CLEAR- AA-M12C22A41
- NARROW STILE RAILS
- 1/4" GLASS STOPS AND BLOCKS
- PULL HANDLE(S) AND RECESSED FINGER PULL(S)
- NURSE ASSIST MAGNETIC CATCHES
- FULL OPENING DAMPENING DEVICE

OPTIONS AVAILABLE:

- SPECIAL FINISHES
- PACKAGE WILL ACCEPT UP TO 1 1/4" [31.8] INSULATED GLASS, SEE SHEET AA-13 FOR DETAILS
- 7" & 10" BOTTOM RAILS, SEE SHEET AA-14 FOR DETAILS
- MUNTINS, SEE SHEET AA-14 FOR DETAILS
- SEE SHEET OS-1 FOR ALL OTHER OPTIONS.

DWG NO.	1016507										
DRN BY	DBN	DATE	02/22/17	CHK BY	CLW	DATE	03/03/17	REV.	2.0	DATE	05/24/17