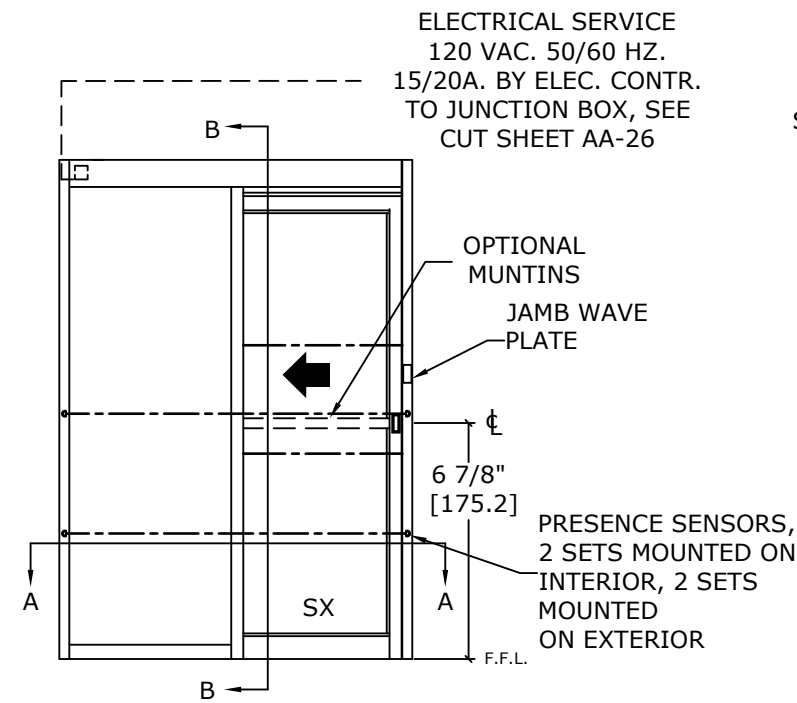


DIMENSIONS FOR 1/4" [6.4] GLASS

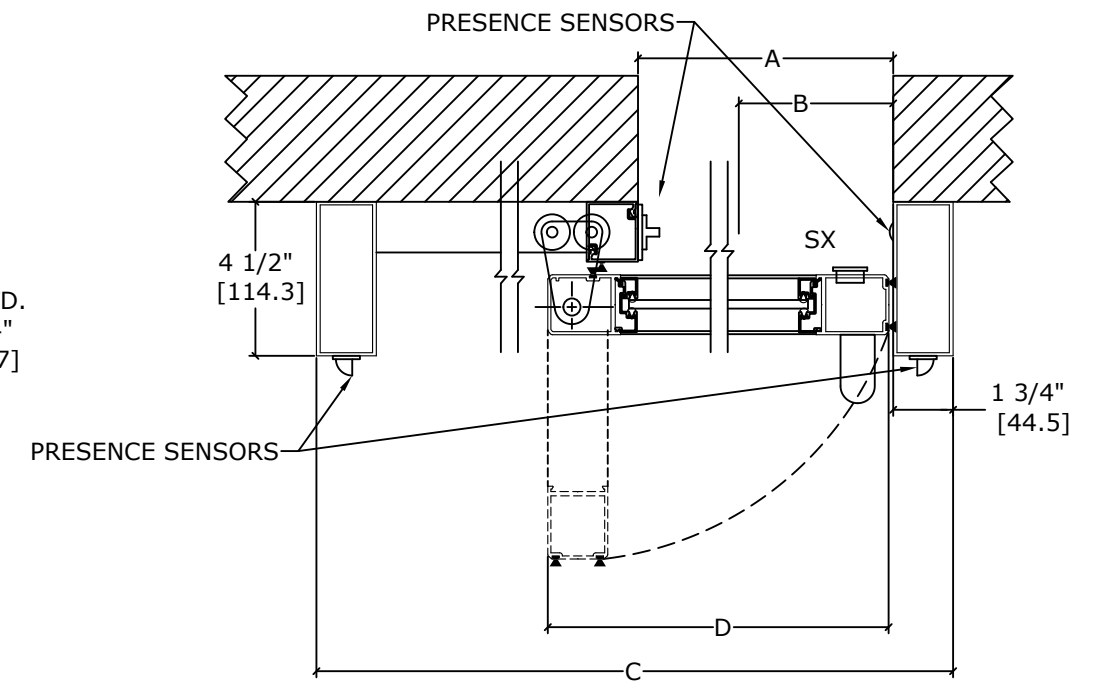
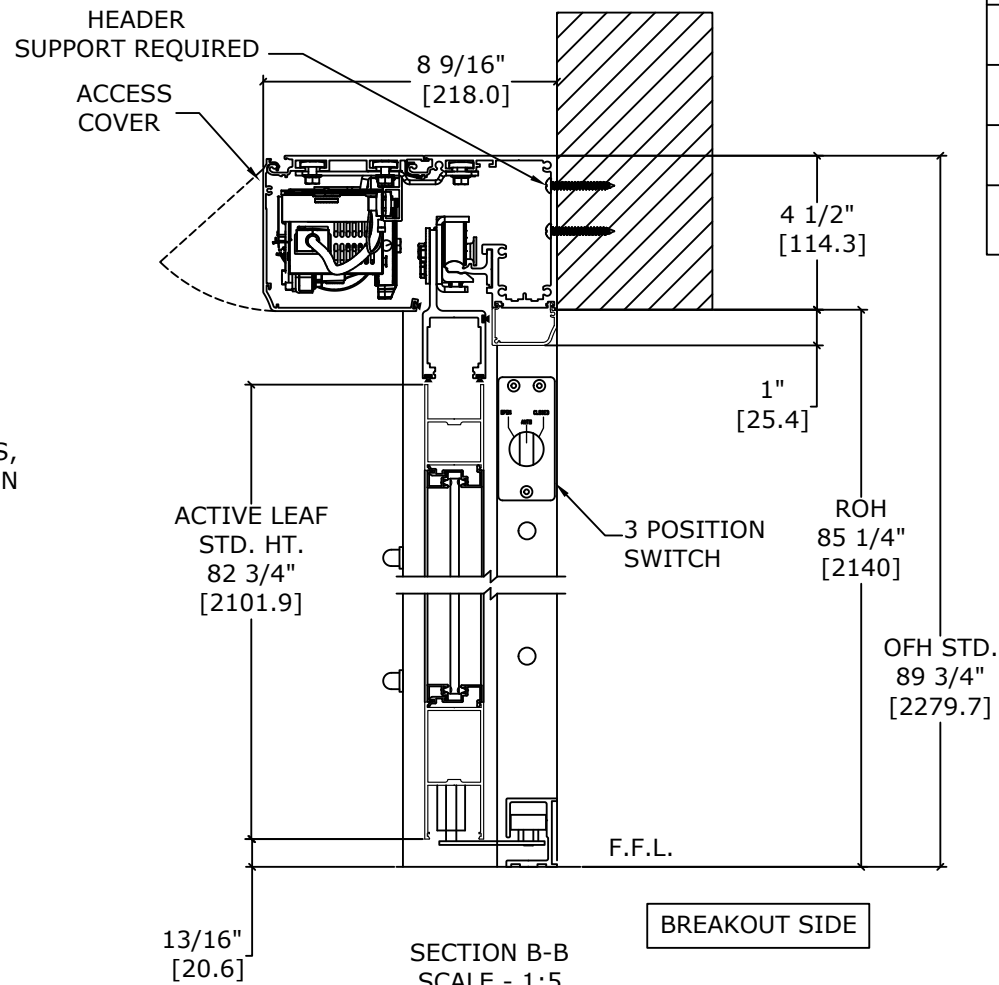
MODEL NO.	ROUGH OPENING WIDTH (A)	CLEAR DOOR OPENING WIDTH (B)	OVERALL FRAME WIDTH (C)	ACTIVE LEAF WIDTH (D)
VMSA1T-3	36" [914.4]	32 3/8" [822.3]	78 1/8" [1984.4]	38 1/2" [977.9]
VMSA1T-3-6	42" [1066.8]	38 3/8" [974.7]	90 1/8" [2289.2]	44 1/2" [1130.3]
VMSA1T-4	48" [1219.2]	44 3/8" [1127.1]	102 1/8" [2594]	50 1/2" [1282.7]
KEY:		A- 3 5/8" A- [92.1]	2A+ 6 1/8" 2A+ [155.6]	A+ 2.5" A+ [63.5]



BREAKOUT SIDE

LH SLIDE SHOWN
(RH SLIDE OPPOSITE)

SCALE - 1:30



BREAKOUT SIDE

LH SLIDE SHOWN
(RH SLIDE OPPOSITE)

SECTION A-A
SCALE - 1:5

- DOORS WILL BREAK OUT IN ANY POSITION

REFER TO RELEVANT [LOCAL, STATE, NATIONAL, OR AHJ] BUILDING CODE FOR MIN DOOR HEIGHT & MIN/MAX WIDTH ALLOWABLE FOR EGRESS REQUIREMENT IN CONJUNCTION WITH TABLE.

NOTES:

STANDARD PACKAGE CONSISTS OF:

- STANDARD FINISH:
CLASS 1, .018MM, CLEAR- AA-M12C22A41
- NARROW STILE RAILS
- 1/4" GLASS STOPS AND BLOCKS
- POSITIVE LATCHING, SEE SHEET AA-1 FOR DETAILS
- NURSE ASSIST MAGNETIC CATCHES
- JAMB/FILLER TUBE MOUNTED PRESENCE SENSORS
- JAMB WAVE PLATES, SEE SHEET AA-18 FOR DETAILS
- 3 POSITION SWITCH (OPEN, AUTO, CLOSED)

OPTIONS AVAILABLE:

- SPECIAL FINISHES
- PACKAGE WILL ACCEPT UP TO 1 1/4" [31.8]
- INSULATED GLASS, SEE SHEET AA-13 FOR DETAILS
- 7" & 10" BOTTOM RAILS, SEE SHEET AA-14 FOR DETAILS
- MUNTINS, SEE SHEET AA-14 FOR DETAILS
- SEE SHEET OS-2 FOR ALL OTHER OPTIONS.

DWG NO.	1016509										
DRN BY	DBN	DATE	02/22/17	CHK BY	CLW	DATE	03/03/18	REV.	3.0	DATE	03/03/18