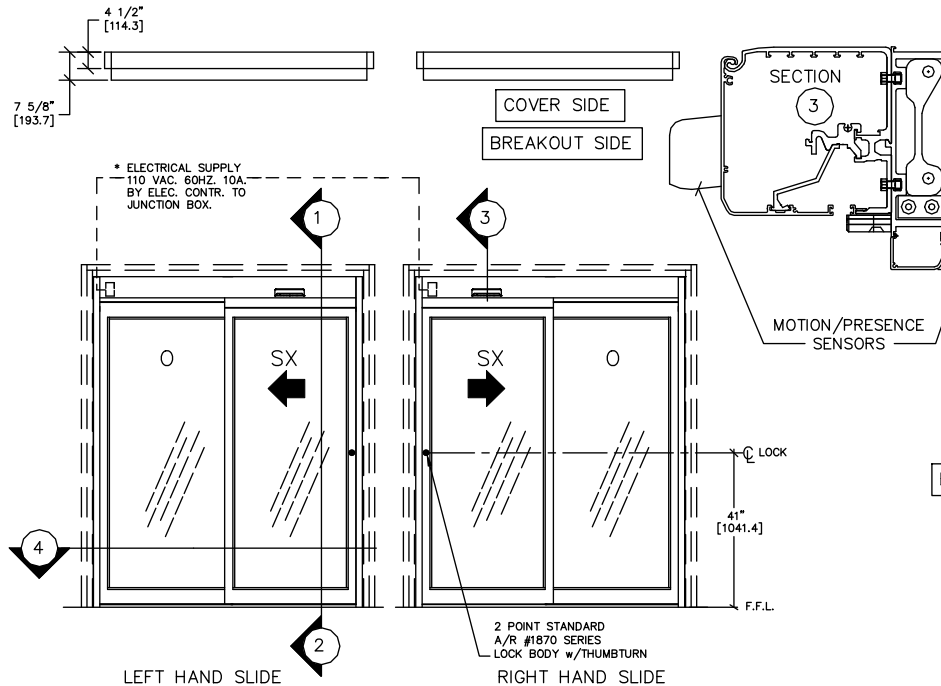


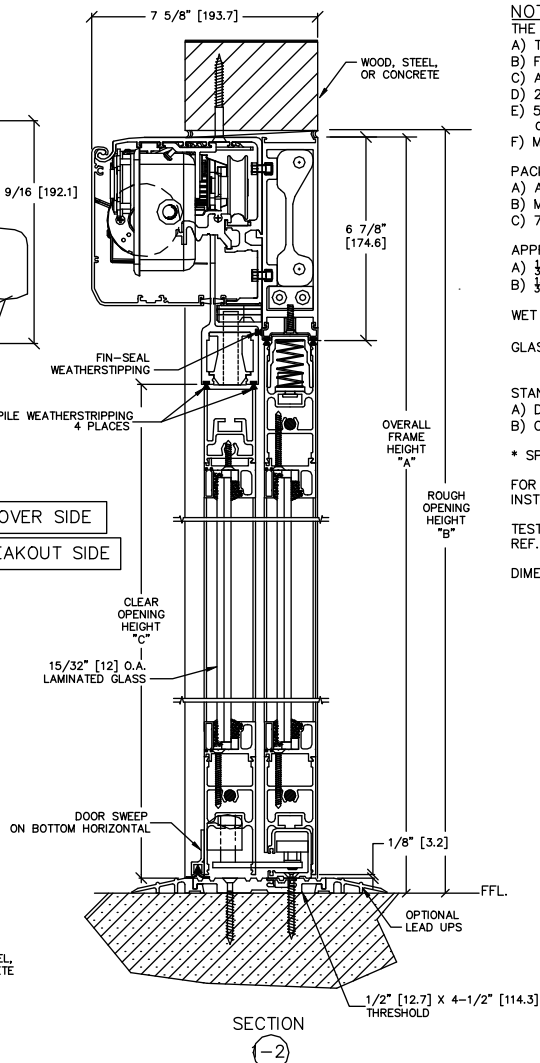
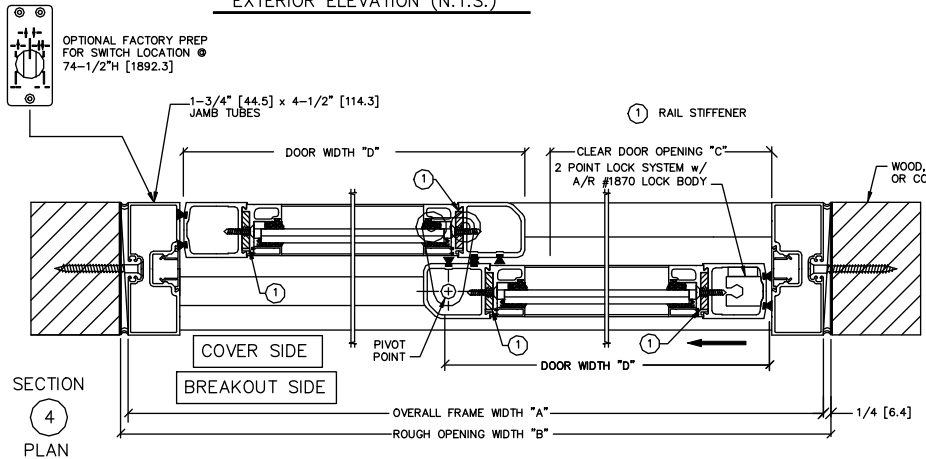
**ASSA ABLOY**

ASSA ABLOY Entrance Systems  
1900 Airport Road  
Monroe, NC 28110  
Phone: 1-866-237-2687  
specdesk.no.besam@assaabloy.com

BESAM RESILIENCE  
OVERHEAD CONCEALED, NARROW STILE  
FIXED SIDELITE, SINGLE SLIDE,  
LARGE & SMALL MISSILE IMPACT DOOR SYSTEM



EXTERIOR ELEVATION (N.T.S.)



DESIGN PRESSURE RATING	
WHERE WATER INFILTRATION REQUIREMENT IS NEEDED.	WHERE WATER INFILTRATION REQUIREMENT IS NOT NEEDED.
NOT APPROVED	± 70 PSF

**NOTES**  
THE STANDARD PACKAGE CONSISTS OF:  
A) THE AUTOMATIC OPERATOR  
B) FRAMES, DOORS & SIDELITES WITH WEATHERSTRIPPING  
C) ACTIVE LEAF EMERGENCY BREAKOUT FUNCTIONALITY  
D) 2-POINT LOCK  
E) 5-POSITION SWITCH OR 3-POSITION SWITCH  
OFF, EXIT ONLY, AUTO, REDUCED OPENING, HOLD-OPEN OR OFF, AUTO, HOLD-OPEN  
F) MOTION/PRESENCE SENSORS

**PACKAGE OPTIONS:**  
A) ACTIVE LEAF BREAKOUT DAMPERS  
B) MEDIUM OR WIDE DOOR STILES  
C) 7" OR 10" BOTTOM DOOR RAILS

**APPROVED GLASS OPTIONS:**  
A) 3/8" O.A. LAMINATED: 3/8" HS - .090" SOLUTIA SAFLEX® PVB - 3/8" HS  
B) 1/2" O.A. LAMINATED: 1/2" HS - .090" DUPONT SENTRYGLAS PLUS® - 1/2" HS

WET GLAZE WITH DOW 995 SILICONE - FOLLOW MANUFACTURER'S INSTRUCTIONS

**GLASS SIZE:** OFW/2 - 5 9/16" X OFH - 16 3/4" [14 3] [425.5]

**STANDARD FINISHES:**  
A) DARK BRONZE - AA-M12C22A44, CLASS 1, .018 MM  
B) CLEAR - AA-M12C22A41, CLASS 1, .018 MM

\* SPECIAL FINISHES ARE AVAILABLE

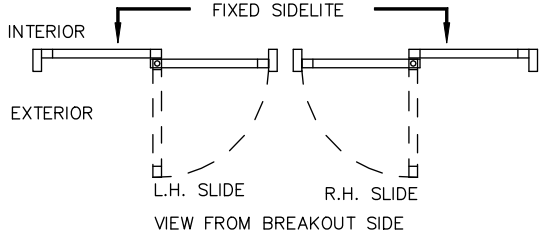
FOR MAXIMUM CURRENT DRAW, SEE PRODUCT SPECIFICATION, INSTALLATION INSTRUCTIONS, OR THE UL LABEL ON THE EQUIPMENT.

**TEST PROTOCOLS:** TAS 201, TAS 202 & TAS 203  
REF. FL# 16128

DIMENSIONS ARE IN INCHES

	OPENING SIZE DATA			
	OVERALL FRAME SIZE "A"	ROUGH OPENING "B"	CLEAR OPENING "C"	DOOR WIDTH "D"
AT MAX. WIDTH	84 3/8" [2143.1]	84 7/8" [2155.8]	84 3/8" [873.1]	42" [1066.8]
WIDTH FORMULA	B - 1/2" [12.7]	A + 1/2" [12.7]	A/2 - 7 13/16" [195.4]	A/2 - 3/16" [4.8]
AT MAX. HEIGHT	90" [2286]	90 1/2" [2298.7]	82 1/2" [2095.5]	
HEIGHT FORMULA	B - 1/2" [12.7]	A + 1/2" [12.7]	A - 7 1/2" [190.5]	

REFER TO APPLICABLE BUILDING CODES FOR EGRESS REQUIREMENTS



DWG NO.	US23-3100-02
DRN BY	CLW
DATE	6/28/04
CHK BY	JAW
DATE	6/28/04
REV.	J
DATE	5/30/14

**ASSA ABLOY**